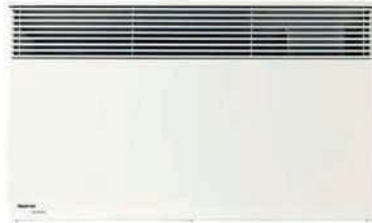


# Noirot Spot Plus



## Electric Panel Heater

### Operating & Installation Instructions



In Order To Qualify For Your  
~Lifetime Warranty~

Please **Visit our Website** Or Complete The Registration Section  
On The Back Page.

[www.noirotd.com.au](http://www.noirotd.com.au)

**Safety** Read the Installation and User Guide(\*), especially the safety instructions below.

**WARNING** - Certain parts of this product may become very hot and may cause burns. Pay extra attention to small children and vulnerable people when they are around the heater.



**Attention surface  
très chaude.  
Caution, very hot  
surface**

- This heater may be used by children aged 8 and over and by persons with reduced physical, sensory or mental capacity or without any experience or knowledge providing they are correctly supervised or they have been given instructions on how to use the heater safely and they clearly understand the potential hazards. Children must not play with the heater. Unless supervised, children must not perform user cleaning and maintenance.
- Ensure children aged under 3 are kept at a safe distance unless they are under constant supervision.
- Children aged between 3 and 8 may only turn the heater on or off providing it has been placed or installed in the normal position for its operation and providing they are under supervision or they have been given instructions on how to use the heater safely and clearly understand the potential hazards.
- Children aged between 3 and 8 must not plug in, change the heater settings, clean or perform any user maintenance on the heater.
- Do not insert anything into the heater.
- The heater may only be connected by a qualified person after the power has been switched off.
- The heater risks overheating if it is covered. The following logo reminds users of this risk.

- It is therefore strictly forbidden to cover or block the air intakes



**IMPORTANT : NE PAS COUVRIR**  
**IMPORTANT : DO NOT COVER**

or outlets at the risk of causing an accident or damaging the heater.

- All service operations must be performed by a qualified and authorised person after the power has been switched off.

- The installation must include an omni polar circuit breaker with a contact opening gap of at least 3 mm.

- The heater must not be installed underneath a power socket.

- Comply with the minimum installation distances from floors, walls, furniture, etc.

- The power supply must be protected by a residual current device of at least 30 mA, especially when installed in a room with a bath or shower.

- When installing the heater in a bathroom, it must comply with local regulations.

- If the power supply cable is damaged, it must be replaced by the manufacturer, its after-sales service or a person with similar qualifications to prevent any potential hazards.

- Avoid installing the heater in a draught which may otherwise affect its thermostat control.

- This electric heater is designed for ambient heating of residential type rooms, or similar, in new or existing, single and multi-unit dwellings.

- Do not use this heater in the immediate surroundings of a bath, a shower or a swimming pool.

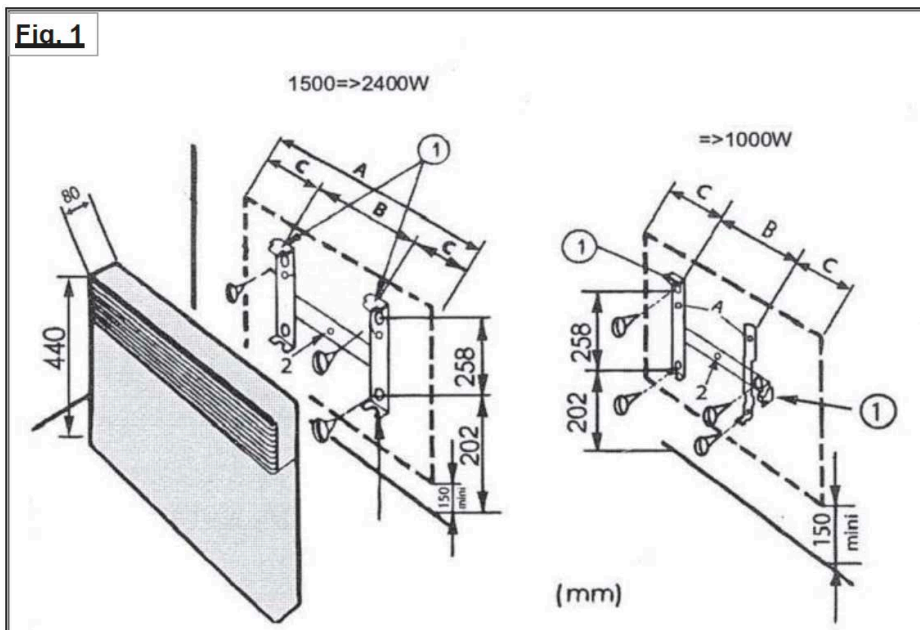
*(\*) These instructions were correct at the time of the heater's manufacture and comply with the standards applicable as at that date.*

*The company reserves the right to modify the Installation and User Guide at any time to take into account any new standards or changes to existing standards.*

## **RECOMMENDATION FOR WALL INSTALLATION**

This heater is sold ready for D.I.Y. installation, with Wall bracket and flexible cord supplied. To remove the wall bracket from the heater you need to push down on the spring-loaded clips located at the top of the bracket. This can be done by using your fingers or, if preferred, a screwdriver (No: 1 Fig.1). Fit the wall bracket to the wall with a suitable fixing method according to the surface you mount the heater on (note: fixings not included). Place the heater on to the bracket and clip into position.

**Note :** To centre your appliance laterally on the wall, use the hole marked 2.  
**The heater must not be located immediately below a socket outlet** (as per requirement of Clause 7.12 of AS/NZS 60335.2.30).



## **SPECIFICATIONS:**

Model	Power (W)	Current (A)	Height	A	B	C
7358-3	1000	4.2	440	420	208	106
7358-5	1500	6.3	440	580	178	201
7358-7	2000	8.3	440	740	320	210
7358-8	2400	10.0	440	900	405	248

### **Please note:**

Heater temperature settings will vary from house to house according to the building type and its level of insulation. They will also vary from room to room, depending on factors such as room orientation (facing north or south) and window sizes. Items such as computers and lights (which generate heat) and people will also affect a room's temperature.

Running costs are not wholly governed by the temperature setting on the panel heater. The same maximum power is used to reach 11° or 27°. Where the energy efficiency and economy is obtained is in the sizing of the heater to the particular room where it is to be used. If the heater is sized correctly, then the thermostat will cycle on & off as required to maintain your comfort level, no matter where on the scale your comfort setting is.

### **RECOMMENDATION FOR USE WITH CASTORS**

This heater is tested and approved for use with the optional "Easy Glide Castors". Please follow the fitting instructions closely and be aware that once the **BLACKCLIPS** are fixed into position, the castors **CANNOT** be removed without breaking them.

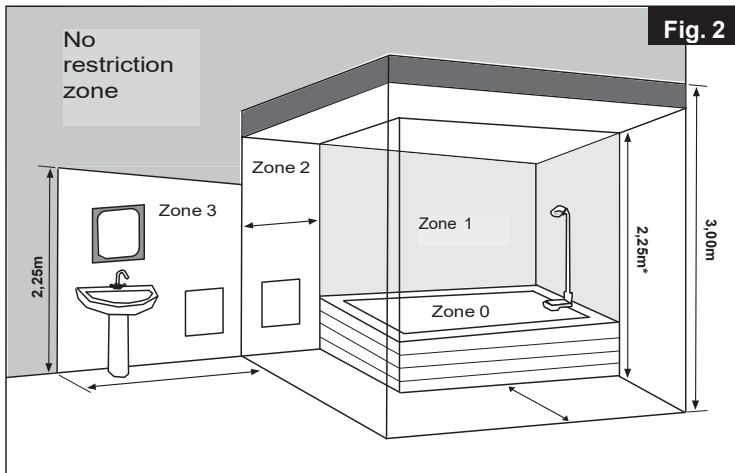
### **WARNING:**

Do not use the heater on the floor without the "Easy Glide Castors". Also, when using as a portable heater do not use in the immediate vicinity of a bath, shower or swimming pool.

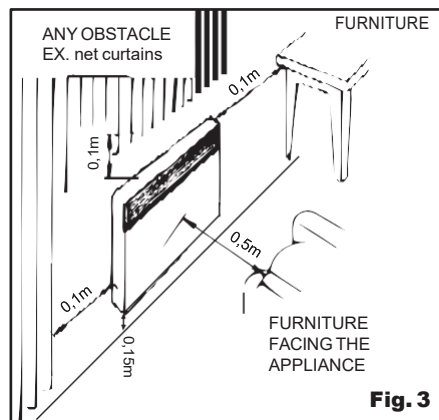
## **PANEL LOCATIONS**

This heater is IP24 rated and suitable for use in all rooms including Zone 2 in Bathrooms (Fig.2) in accordance with AS/NZS 3000: 2018 (Wiring Rules). This heater is double insulated and does not require earthing.

**It must be located so that the controls cannot be touched by a person in the bath or shower.**



For maximum efficiency, this heater should be wall mounted at a minimum height of 150mm off the floor. This is to allow the necessary volume of air to flow freely through the vents. It is also important to allow a minimum of 100mm clearance at the top and sides of the heater and 500mm from the front (Fig. 3) so as not to force the air back into the heater and activate the Over Temperature Safety Thermal Cut-Out Switch.



## **ELECTRICAL CONNECTION**

This heater is fitted with an Australian Approved Flexible Cord and Plug. For wall-mounted installations connection can be either by plugging into an existing 10-amp power point (DIY) or direct wired by a Licensed Registered Electrical Contractor, who is required to issue a Certificate of Electrical Safety.

### **PLEASE NOTE:**

For safety reasons the Flexible Cord must not be modified or repaired in any way. If the Cord is damaged, it must be replaced by a Noirot appointed and approved service agent. If there are any concerns, contact Noirot Australia Pty Ltd on 1 300 664 768 before plugging it in.

### **WARNING:**

**Do not plug into a Power Board, Double Adaptor or Extension Lead**

### **WARNING: IN ORDER TO AVOID OVERHEATING, DO NOT COVER THE HEATER**



Avoid blocking air flow to and from the heater with clothing, open doors, furniture and small toys or paper inserted into the louvres. This will cause the heater to over-heat and activate the safety thermal cut-out switch.

If the "Over Temperature Safety Thermal Cut-Out Switch" is activated, the heater will automatically switch off to limit the temperature to a safe value. To reset the thermal cut-out, simply switch the heater off, unplug it from the power point and remove the obstruction(s). Plug the heater back in and switch it on. The thermal cut-out switch will reset after a few minutes and the heater will function normally.

## **USING YOUR HEATER FOR THE FIRST TIME**

Remove the heater from its packaging (please dispose of packaging responsibly). Contents should be as follows:

- 1.Heater
- 2.Wall bracket (pre-attached to the back of the heater).
- 3.Instructions for installation and use (12-page booklet).
- 4.Castors (Note: not included with Evolution models)

Ensure the heater is correctly mounted on the wall or fitted to the castors prior to turning it on. Remove the white plastic protective covers from the plug pins and insert the plug into the wall socket. When the heater is turned on for the first time, or after it has been off for a long period, such as during the summer months, you may experience a slight odour (smell) and some haze. This is quite common and should disappear after a few minutes. If it should persist, switch the heater off and have it inspected

**WARNING:**

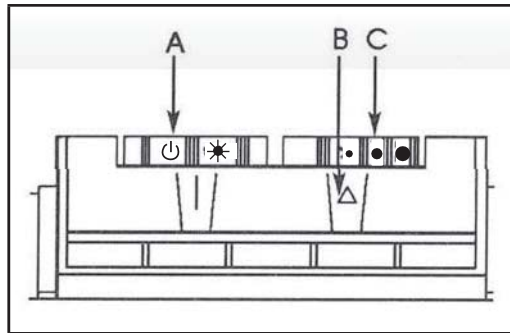
- **Do not use this heater if it has been dropped.**
- **Do not use if there are visible signs of damage to the heater.**
- **Use this heater on a horizontal and stable surface, or fix it to the wall, as applicable.**
- **Do not use this heater in small rooms when they are occupied by persons not capable of leaving the room on their own, unless constant supervision is provided.**
- **To reduce the risk of fire, keep textiles, curtains, or any other flammable material to a minimum distance of 1m from the air outlet.**



## **HOW TO USE THE ELECTRONIC THERMOSTAT**

The Noirot Electronic Thermostat is designed to read the room temperature every 30 seconds. This offers maximum economy, greater efficiency and is very simple to use.

1. To turn the heater on, turn dial **A** from '⏻ (Standby)' to '☀',
2. Turn dial **C** until light **B** illuminates.
3. Allow time for the room to heat up. This will vary with the size of the room but usually takes 15-20mins. The light **B** will turn off.
4. To achieve your comfort level simply adjust the dial **C** to suit. If you require more heat turn the **C** dial up to a larger 'DOT'. If the room is too hot then turn the dial C to a smaller 'DOT'.
5. To return the heater to standby, turn dial '**A**' from '☀' to '⏻ (Standby)'



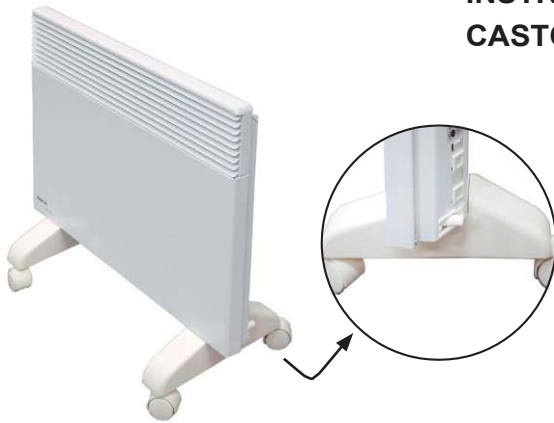
## **MAINTENANCE**

Your Noirot Electric Panel Heater requires very little maintenance. To remove surface dust, use a soft cloth; to remove marks use a damp cloth. Never use abrasives or metal scourers which could damage the polyester coating. It is recommended to periodically clean the front and under carriage air vents using the soft brush on your vacuum cleaner, as dense accumulation of dust will cause the heater to over-heat and trigger the safety thermal cut-out switch.

Additional Support.

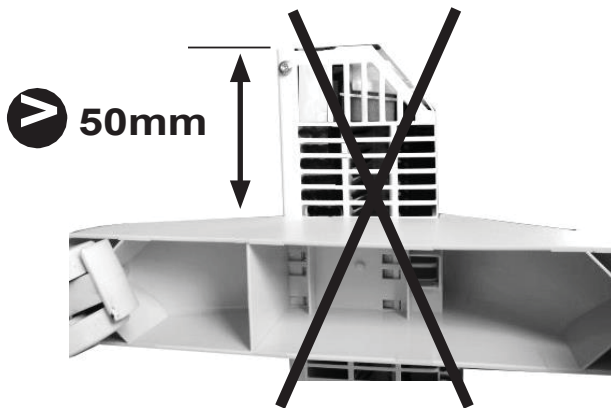
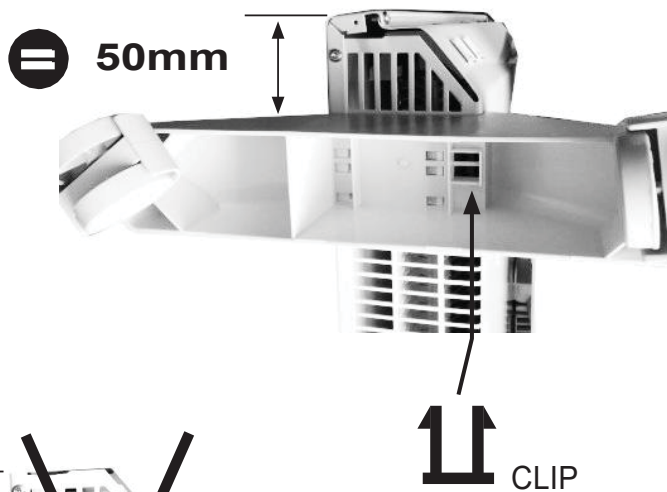
Please go to: [www.noirot.com.au](http://www.noirot.com.au)

# INSTRUCTION FOR MOUNTING CASTORS ON THE HEATER



Please follow these instructions.

**YES !**



**NO !**

## **WARRANTY REGISTRATION:**

**IMPORTANT:** To validate your product warranty, you are required to do the following:

1. Register your product online at [www.noirot.com.au](http://www.noirot.com.au), click on “Product Registration” and fill out the required fields.
2. You must also retain your receipt of purchase

## **WARRANTY CONDITIONS**

Your Noirot Spot Plus electric panel heaters comes with a **LIFETIME WARRANTY**, therefore any replacement of faulty parts or repairs of any kind must be carried out by a qualified person and authorised by Noirot Australia Pty Ltd or their approved representative. Failure to do so will VOID the **WARRANTY**.

Noirot Australia Pty. Ltd. reserve the right to reject any warranty claim deemed to be false. Retailers must have warranty claims authorised by a representative of Noirot Australia.

If you believe your product to be faulty and under warranty you are required to do the following:

1. Return the product, at your expense, to the place of purchase for assessment by an authorised representative of Noirot Australia.
2. This may require leaving the product at the place of purchase.
3. If the product is deemed faulty and under warranty, the place of purchase of the product will order a replacement heater to which Noirot Australia, at our cost, will deliver the heater to the place of purchase.
4. The consumer will then be required, at their cost, to pick up the replacement heater from the place of purchase.
5. If the heater is faulty but not deemed to be under warranty, an explanation will be provided to the consumer and that the faulty heater can be picked up by the customer from the place of purchase.
6. Castors are a bonus item and have a 6-month warranty.

Our goods come with guarantees that cannot be excluded under the Australian Consumer Law. You are entitled to a replacement or refund for a major failure and for compensation for any other reasonably foreseeable loss or damage. You are also entitled to have the goods repaired or replaced if the goods fail to be of acceptable quality and the failure does not amount to a major failure.

If you have any queries regarding your product or its warranty please contact:

**Olimpia Splendid Australia Pty Ltd**

80-84 Burlington St  
Oakleigh VIC 3166  
Australia

P: 1 300 664 768

E: [sales@olimpiasplendid.com.au](mailto:sales@olimpiasplendid.com.au)

**Olimpia Splendid New Zealand Pty Ltd**

C / Key Service Ltd  
34A Cryers Road.  
East Tamaki. Manukau City. Auckland.  
New Zealand.

P: (09) 916-0960

E: [sales@olimpiasplendid.co.nz](mailto:sales@olimpiasplendid.co.nz)