

REH-151UCH

Note: This model does not have a PCB it has a surge arrestor Part No. 90192840. Refer to Exploded Diagram No. 150				
No.	Part Name	RA Part No.	11 Digit Code	Qty
001	Front Panel (Beige)	90178781	019-0673000	1
001	Front Panel (Gun Metal) (up to Dec00)	90178799	019-946-000	1
001	Front Panel (Eurogrey)	90178807	019-0674000	1
001	Front Panel (Titanium) (from Jan01)		019-0675000	1
002	Company Badge	90178815	602-228-000	1
003	Escutcheon Label	90178823	602-643-000	1
004	Escutcheon Label Mount	90178864	013-282-000	1
005	Badge Push Nut		502-252-000	2
006	Louvre Assy - Part of 90199925	90199925	095-166-000	1
007	Reflector - Part of 90199925	90199925	038-143-000	1
008	Dress Guard	90178906	056-146-000	1
009	Air Inlet Louvre - Part of 90199925	90199925	147-012-000	1
010	Sealing Material			1
011	Data Plate-NG	90178914		1
011	Data Plate-LPG	90178922		1
012	Side Panel, R/H (Beige)	90178997	003-569-000	1
012	Side Panel, R/H (Gun Metal) (up to Dec00)	90179003	003-276-000	1
012	Side Panel, R/H (Eurogrey)	90179011	003-570-000	1
012	Side Panel, R/H (Titanium) (from Jan01)		003-571-000	1
013	Handle (Titanium)	90195587	072-376-000	1
013	Handle (Beige)	90137431	072-136-000	2
013	Handle (Black)	90179037	072-092-000	2
013	Handle (Eurogrey)	90179045	072-375-000	1
014	Top Panel (Beige)	90179052	001-721-000	1
014	Top Panel (Gun Metal) (up to Dec00)	90179060	001-707-000	1
014	Top Panel (Eurogrey)	90179078		1
014	Top Panel (Titanium) (from Jan01)	90187345	001-783-000	1
015	Control Case (Beige)	90179086	098-0020000	1
015	Control Case (Gun Metal)	90179094	098-0021000	1
015	Control Case (Euro Grey)	90179102	098-0022000	1
015	Control Case (Titanium)	90188707	035-0087000	1
016	Control Label	90179110	602-644-000	1
017	Control Lid (Beige)	90179151	098-0023000	1
017	Control Lid (Gun Metal)	90179169	035-0087000	1
017	Control Lid (Euro Grey)	90179177		1
018	Wiring Diagram	90179185	602-772-000	1

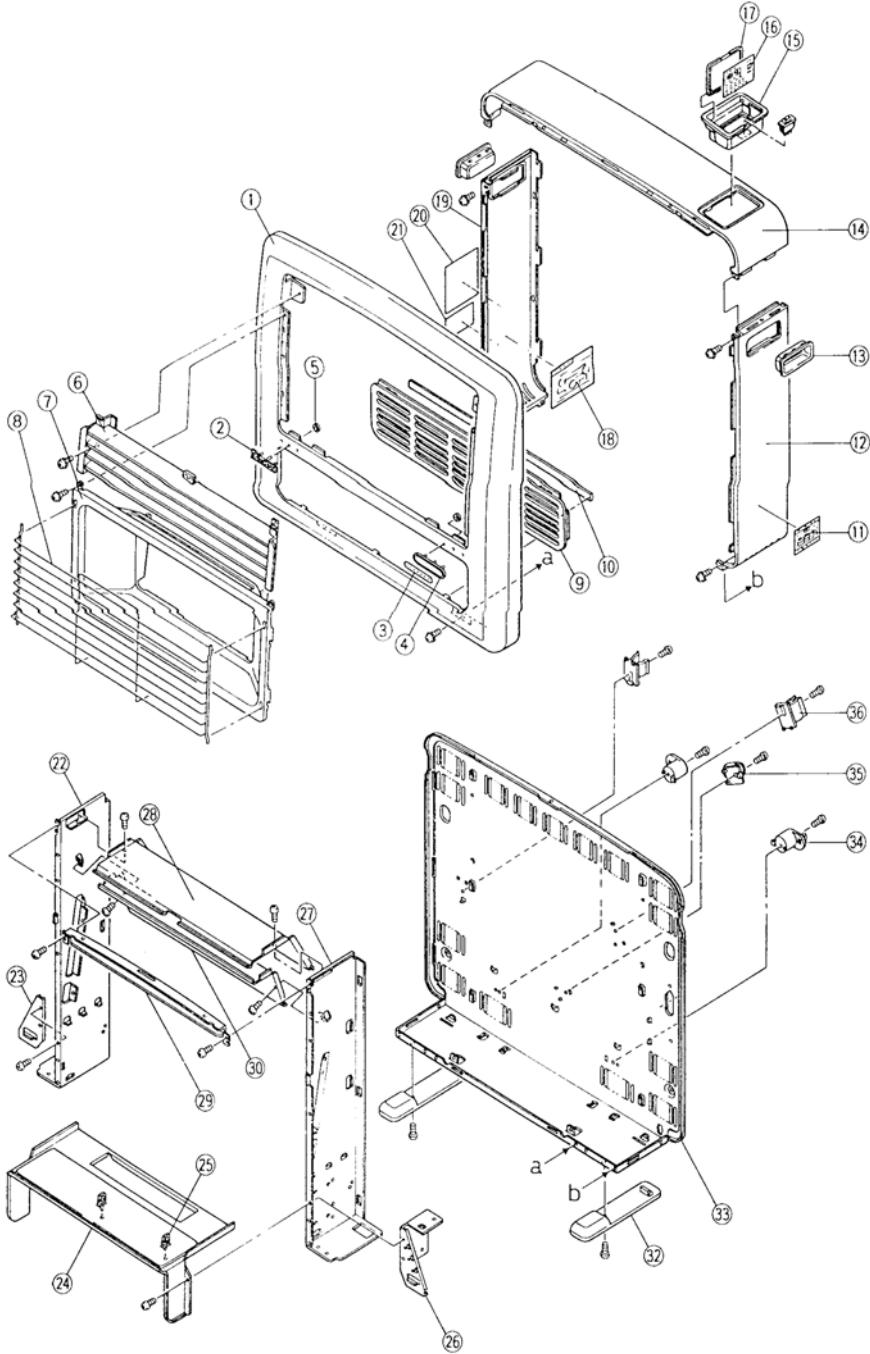
No.	Part Name	RA Part No.	11 Digit Code	Qty
019	Side Panel, L/H (Beige)	90179193	003-573-000	1
019	Side Panel, L/H (Gun Metal) (up to Dec00)	90179201	003-281-000	1
019	Side Panel, L/H (Eurogrey)	90179219		1
019	Side Panel, L/H (Titanium) (from Jan01)		003-574-000	1
020	Warning Label	90173196		1
021	General Warning Label	90179250	602-633-000	1
022	Side Bracket Assy, L/H			1
023	Side Bracket Support, L/H			1
024	Lower Divider			1
025	Locking Wire Saddle			2
026	Side Bracket Support, R/H			1
027	Side Bracket Assy, R/H			1
028	Exhaust Guide Panel B		534-063-000	1
029	Top Panel Reinforcement			1
030	Exhaust Guide Panel A		534-048-000	1
032	Foot	90179268	015-216-000	2
033	Rear Panel A		004-574-000	1
034	Electrical Cord Holder	90176207	504-035-000	2
035	Hose Holder B	90179300	504-042-000	1
036	Hose Holder A	90176249	504-014-000	2
040	Burner Air Inlet Panel		197-022-000	1
041	Burner Air Inlet Panel Partition			1
042	Burner Bracket		047-588-000	1
043	Burner Body Assy	90118407	172-064-000	1
	Burner Body			2
	Burner Venturi A			2
	Burner Venturi B			2
	Head Plate			2
044	Ceramic Wool	90170762	531-001-031	1
045	Ceramic Plaque (151\252)	90179326	164-008-000	2
046	Burner Partition		515-079-000	1
047	Plaque Support, Top		538-221-000	1
048	Plaque Support, Side		538-222-000	2
049	Plaque Support, Bottom		538-223-000	1
050	Cross Lighting Plate		145-056-000	1
051	Thermocouple Retainer		506-071-000	1
052	Thermocouple Complete Assy	90177809	121-343-000	1
053	Electrode	90170903	202-008-000	1
054	Silicon Boot	90192949	513-860-000	1

No.	Part Name	RA Part No.	11 Digit Code	Qty
055	Main Injector NG 1.28 mm	90177726	130-408-128	2
055	Main Injector LPG 0.77 mm	90177734	130-295-077	2
056	Injector Holder A	90170820		1
057	"O" Ring	90148594	520-001-010	1
058	Gas Inlet Tube Retainer	90148628	537-386-000	1
059	High Tension Cord B Assy	90179516	203-172-000	1
060	Electrode Retainer	90179524		1
061	Wind Shield	90179532	039-145-000	1
062	Bi-Metal Damper B	90170895	140-530-000	1
063	Pilot Damper NG 3.0 mm	90179557	141-073-000	1
063	Pilot Damper LPG 4.0 mm	90149832	140-529-000	1
064	Pilot Gas Tube	90177874	109-189-000	1
065	Pilot Injector Filter	90177932	017-055-000	1
066	Pilot Injector NG 0.35 mm	90130675	131-266-035	1
066	Pilot Injector LPG 0.20 mm	90131293		1
067	Pilot Holder B Assy	90156167	152-501-000	1
068	Main Gas Tube B	90179664	109-190-000	1
069	Main Gas Tube A	90179680	109-191-000	1
070	Injector Holder B	90170945	195-055-000	1
072	Pilot Retainer	90170861	537-799-000	1
074	"O" Ring (P-4)	90148602	520-020-010	1
075	Control Mounting Bracket		537-800-000	1
076	Centre Pin		058-048-000	1
077	Push Button (Beige)	90170986	023-525-000	1
077	Push Button (Gun Metal)	90179763	023-526-000	1
077	Push Button (Euro Grey)	90179771	023-527-000	1
077	Push Button (Titanium)	90195595	023-528-000	1
078	Push Button Spring	90142019	194-081-000	1
079	Selector Mechanism (Lever Case Assy)	90179789	126-067-000	1
080	Fan Switch	90179805	241-073-000	1
081	Cable Clip		504-024-000	1
082	Lever Panel		059-100-000	2
083	Gas Control Valve Assy (LPG)	90179813	120-120-000	1
083	Gas Control Valve Assy (NG)	90179839	120-119-000	1
83-1	Selector Mechanism	90179789	126-067-000	1
084	Micro Switch	90179854	240-146-000	1
085	Micro Switch Harness			1
086	Packing	90176637	510-519-000	1
089	Wiring Clip			1

No.	Part Name	RA Part No.	11 Digit Code	Qty
091	Gas Inlet			1
092	Hose Assy			1
093	"O" Ring	90176561	520-027-000	1
094	Tilt Switch Bracket		537-182-000	1
095	Power Cord Assy			1
096	Power Cord Fixing Bkt	90177114	538-180-000	1
096	Cord Bush	90177106	194-098-000	1
097	Resistor - All Unflued Units	90169350	237-046-000	1
098	Sparker	90169384	262-026-000	1
099	Wiring Harness	90191969	290-754-000	1
100	Convection Fan Support		538-224-000	2
101	Convection Fan Mounting Bracket, R/H		537-801-000	1
102	High Tension Cord Bush		516-018-000	4
103	Convection Fan Assy	90177684	042-212-000	1
103-1	Fan Case Assy			1
103-2	Convection Fan Motor Assy			1
103-3	Convection Fan Blades			1
103-4	Axis Support	90179870		1
104	Convection Fan Mounting Bracket, L/H		537-802-000	1
105	Piping Bag Nut		502-291-000	1
	Surge Arrestor	90192840	611-871-000	1
888	Operations Manual			

Note: In the AS400 the colours are abbreviated as
 BG = Beige
 GM = Gunmetal
 EG = Eurogrey
 BL = Black

REH-151UCH



REH-151UCH

