

Owners & Installation

Manual



GFi750 GAS INBUILT



Models: GFi750NG
GFi750LP
GFi750ULPG

PLEASE KEEP THESE INSTRUCTIONS FOR FUTURE REFERENCE

| | |
|---|---|
| WARNING: Improper installation, adjustment, alteration, service or maintenance can cause injury or property damage. Refer to this manual. For assistance or additional information consult an authorised installer, service agency or the gas supplier. | FOR YOUR SAFETY What to do if you smell gas: <ul style="list-style-type: none">● Do not try to light any appliance● Do not touch any electrical switch: do not use any phone in your building.● Immediately call your gas supplier from a neighbour's phone. Follow the gas supplier's instructions.● If you cannot reach your gas supplier, call the fire department. |
| FOR YOUR SAFETY Do not store or use gasoline or other flammable vapours and liquids in the vicinity of this or any other appliance. | |
| Installation and service must be performed by an authorised installer, service agency or the gas supplier. | |

LISTINGS AND CODE APPROVALS

These gas appliances have been tested in accordance with AS/NZS 5263.0 & AS/NZS 5263.1.3-2021 and have been certified by IAPMO for installation and operation as described in these Installation and Operating Instructions. Must be installed as per AS/NZS5601.

Your unit should be serviced annually by an authorised service person.

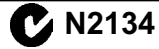
data badge

This is a copy of the label that accompanies each Regency GFi750 Gas Inbuilt fireplace. We have printed a copy of the contents here for your review.

Check the label on the unit and if there is a difference, the label on the unit is the correct one.

DATA BADGE NOTE: Regency units are constantly being improved.

Regency Gas Fireplace

| Model | ○ | ○ | ○ |
|--|--------------------|---|--------------------------|
| Gas Type | NG | PROPANE | ULPG |
| Model | GFi750NG | GFi750LP | GFi750ULPG |
| Gas Consumption High | 26 MJ/h | 26 MJ/h | 21.5 MJ/h |
| Gas Consumption Low | 16.9 MJ/h | 18.1 MJ/h | 17.7 MJ/h |
| Min. Supply Pressure | 1.13 kPa | 2.75 kPa | 2.75 kPa |
| Manifold Pressure High | 0.87 kPa | 2.49 kPa | 2.49 kPa |
| Manifold Pressure Low | 0.40 kPa | 1.59 kPa | 1.59 kPa |
| Injector Size | 1 x #42 2.37 mm | 1.45 mm | 1 x #55 1.32 mm |
| AS/NZS 5263.0 & AS/NZS 5263.1.3 Approval No. GMK10782 SUITABLE ONLY FOR INDOOR INSTALLATION | | | |
| Electrical: 240VAC 50Hz 1.0 amp | |  N2134 | Serial Number 571 |

Western Australia:
Air Group Australia
131 Bannister Rd
Canning Vale WA 6155

Eastern Australia:
Fireplace Products
Australia Pty. Ltd.
99 Colemans Road
Dandenong South
Vic. Australia 3175

New Zealand:
Aber Holdings
17 Main Street Place
Te Rapa, HA 3200

To be installed by an authorised person in accordance with installation instructions provided with the appliance.

920-473a



DO NOT OPERATE THIS APPLIANCE BEFORE READING THE INSTRUCTIONS BOOKLET.

DO NOT PLACE ARTICLES ON OR AGAINST THIS APPLIANCE

DO NOT STORE CHEMICALS OR FLAMMABLE MATERIALS NEAR THIS APPLIANCE.

DO NOT OPERATE WITH PANELS, COVERS OR GUARDS REMOVED FROM THIS APPLIANCE.

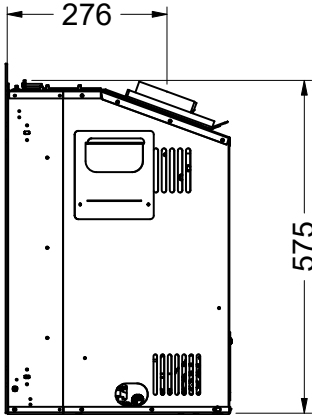
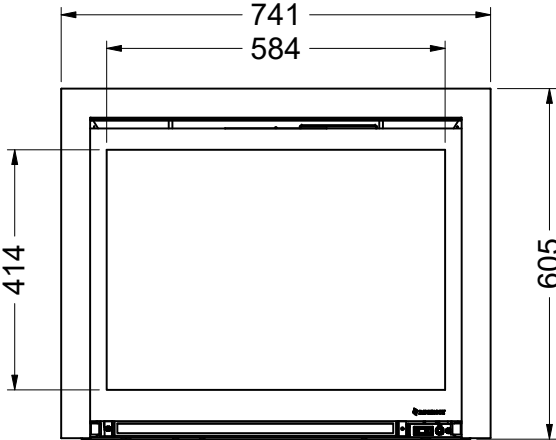
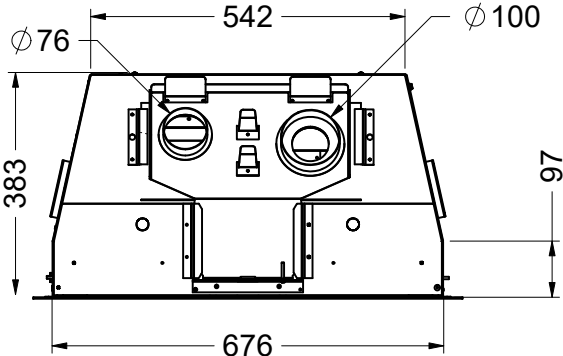
908-602c

THE GUARD IS FITTED TO THIS APPLIANCE TO REDUCE THE RISK OF FIRE OR INJURY FROM BURNS AND NO PART OF IT SHOULD BE PERMANENTLY REMOVED.

○

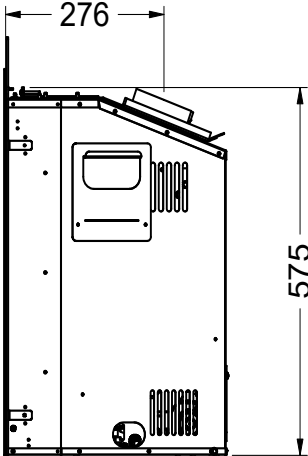
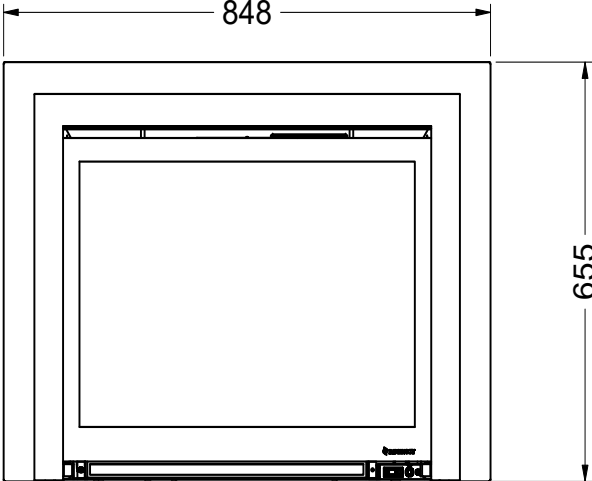
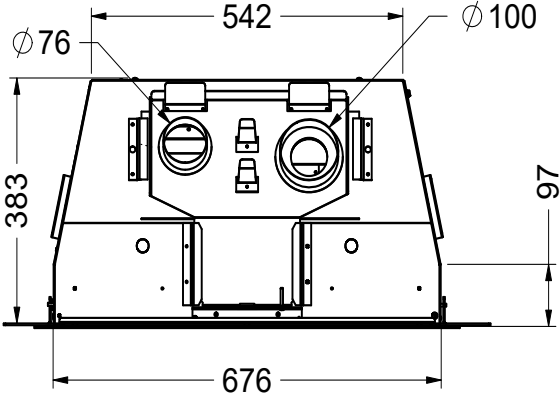
FOR PROTECTION OF YOUNG CHILDREN OR THE INFIRM, A SECONDARY GUARD IS REQUIRED.

Unit Dimensions - Flush Install (millimeters)



dimensions

Unit Dimensions - With Backing Plate (millimeters)

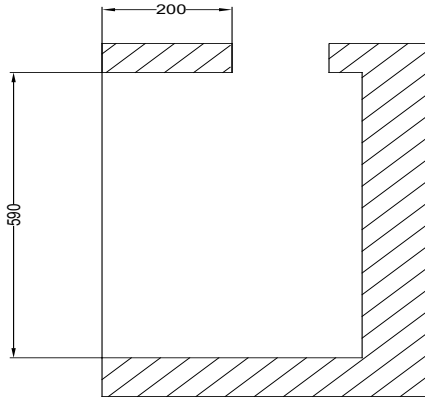


installer's information

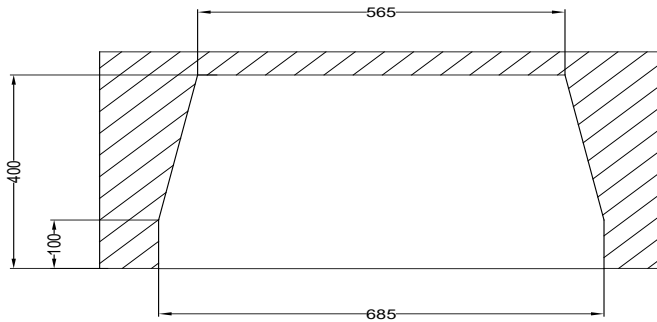
Minimum Fireplace Opening

The minimum fireplace openings for the Regency GF750 gas space heater are shown below:

| Lintel Depth (mm) | Height (mm) | Width Front (mm) | Depth (mm) | Width-Back (mm) |
|-------------------|-------------|------------------|------------|-----------------|
| 200 | 590 | 685 | 400 | 565 |



Side View



Top View

Installation Checklist

Before installing vent system ensure that the damper plate is open and secure to prevent the damper plate from falling down and crushing the liner.

The FPI Gas Inbuilt is installed as listed.

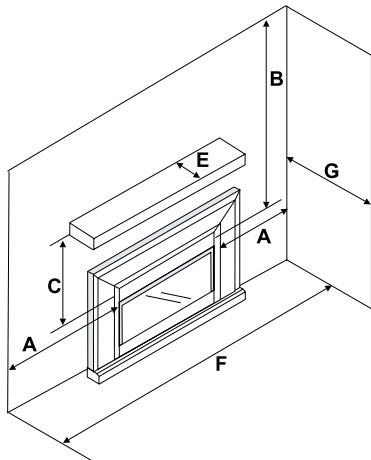
1. Check all clearances to combustibles, (Refer to sections "Minimum Fireplace Opening and Clearances to Combustibles")
2. Make the gas connection. (Refer to section "Gas Connection")
3. Install the 76 mm and 102 mm flue liner to the sliding connector plate. (Refer to section "Flue Liner Installation.")
4. Slide the unit half way into the fireplace.
5. Pull the vent connector plate through the tapered brackets and fasten to the front plate. Refer to section "Flue Liner Installation.")
6. Slide the unit fully into the fireplace.
7. Test gas pressure (Refer to section "Gas Pipe Pressure Testing"). Check aeration system (Refer to section "Gas Insert Aeration System").
8. Install standard and optional features. Refer to the following sections:
 - a. Log Set
 - b. Door, Primary Guard & Faceplate
 - c. Inner Glass Panels (optional)
9. Final check: Before leaving this unit with the customer, the installer must ensure that the appliance is firing correctly. This includes:
 - a) Clocking the appliance to ensure the correct firing rate.
 - b) Adjusting the primary air and restrictor settings, if required, to ensure that the flame does not carbon.

Clearances to Combustibles

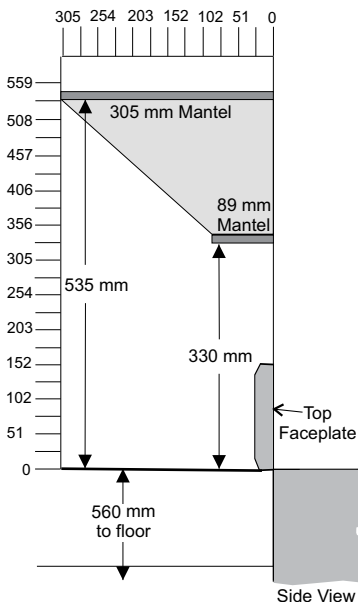
Minimum Clearances to Combustibles

| | From Unit | |
|--------------------------|-----------|--------------|
| Sides | A | 180 mm |
| Ceiling | B | 1205 mm |
| Mantel | C | 330 mm |
| Max. Mantle Depth | E | 305 mm |
| | | (see Dia. 2) |
| Min. Alcove Width | F | 1220 mm |
| Max. Alcove Depth | G | 915 mm |

*No hearth required.



Mantel Clearances

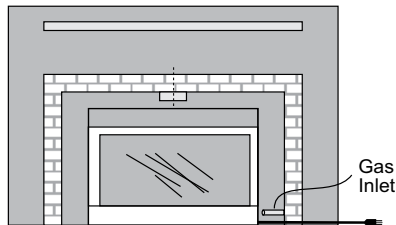


- NOTES**
- A non-combustible mantel may be installed at a lower height if the framing is made of metal studs covered with a non-combustible board.
 - The non-combustible mantel when installed at a lower overall height may not be lower than 152 mm from the top of the fireplace opening.

Gas Connection

GAS CONNECTION WARNING:
Only persons licensed to work with gas piping may make the necessary gas connections to this appliance.

- 1) If the appliance is to be installed into an existing chimney system, thoroughly clean the masonry fireplace.
- 2) The appliance is provided with an opening on the right hand side of the control compartment. The 9.5 mm flexible gas hose provided needs to be brought in from behind this opening. Ensure all gas connections are tight.
- 3) Locate the center point where the vent will pass through the chimney above the appliance. Move the appliance into the exact location where it is to be installed. Ensure that the Insert is level.



NOTE: Shut off valve must be installed in an accessible location.

Flueing

WARNING
DO NOT USE AN UNLINED MASONRY CHIMNEY AS THE FLUE FOR THIS APPLIANCE. THE APPLIANCE MUST NOT CONNECT TO A CHIMNEY FLUE SERVING A SEPARATE SOLID FUEL BURNING APPLIANCE AND MUST BE TERMINATED TO THE OUTDOORS.

This appliance is designed to be attached to two co-linear aluminium flex pipes running the full length of the chimney. The flue length must be a minimum length of 2.44 m and a maximum of 10.7 m. See chart for minimum distances from roof. Periodically check that the vent is unrestricted.

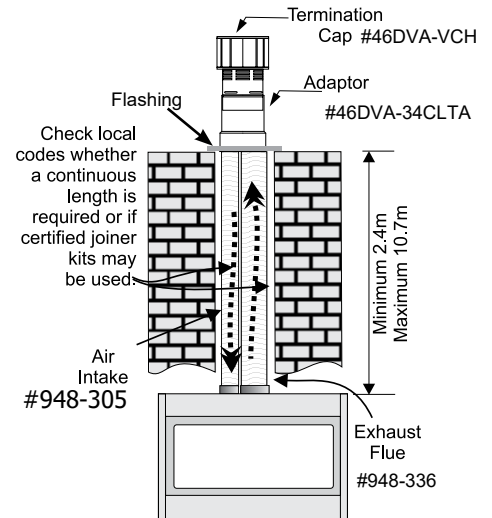
Masonry chimneys may take various contours which the flexible liner will accommodate. However, **keep the flexible liner as straight as possible**, avoid unnecessary bending.

The Air Intake pipe must be attached to the inlet air collar of the adaptor.

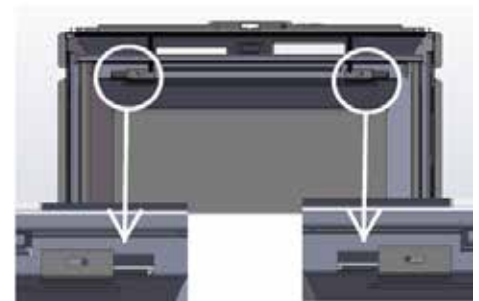
946-773 Vertical Flue Kit

The flue kit contains the following:

| Part # | Description |
|--------------|---------------------------|
| 948-305 | 76mm Flex - 10.7m |
| 948-336 | 102mm Flex - 10.7m |
| 46DVA-VCH | Termination Cap High Wind |
| 46DVA-34CLTA | Adaptor & Chimney Plate |



Note: When installing the flueing, identify the flues. Mark one exhaust and one intake as indicated on the top of the unit.



Flue Restrictor Settings:

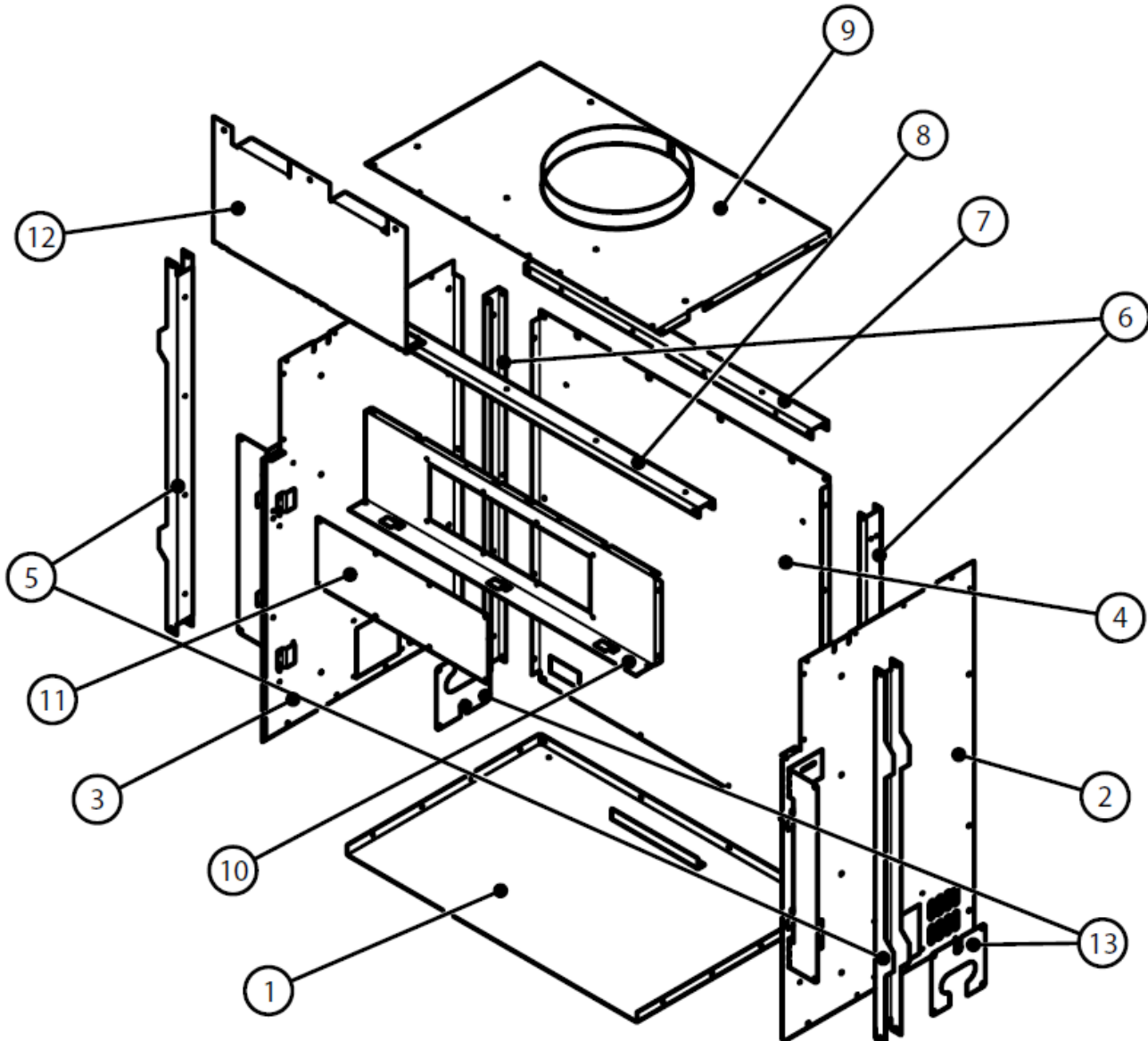
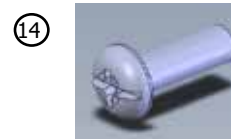
29 mm x 2 (Factory Set)

Optional Zero Clearance Box Installation

PART LIST

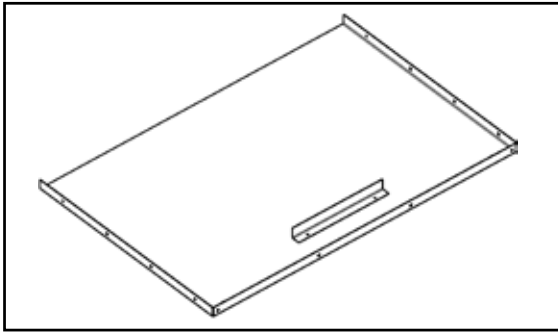
| # | Description |
|---|----------------------|
| 1 | Base Panel Assembly |
| 2 | Right Panel Assembly |
| 3 | Left Panel Assembly |
| 4 | Rear Panel Assembly |
| 5 | Front Side Channel |
| 6 | Rear Side Channel |
| 7 | Rear Top Channel |
| 8 | Front Top Channel |
| 9 | Top Panel Assembly |

| # | Description |
|-----|----------------------|
| 10 | Front Panel Assembly |
| 11 | Front Access Cover |
| 12 | Top Header |
| 13 | Side Access Cover |
| 14 | Blunt Screw x 66 |
| N/S | Cowl |
| N/S | Outer Flue |
| N/S | Flex |

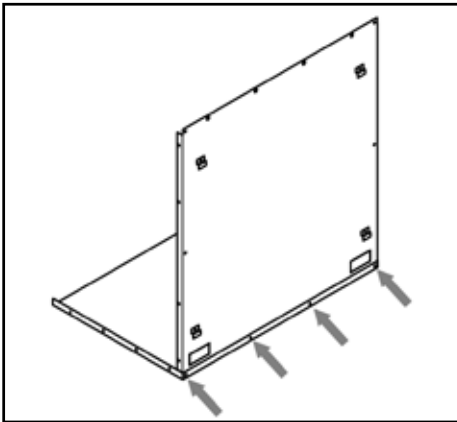


installation

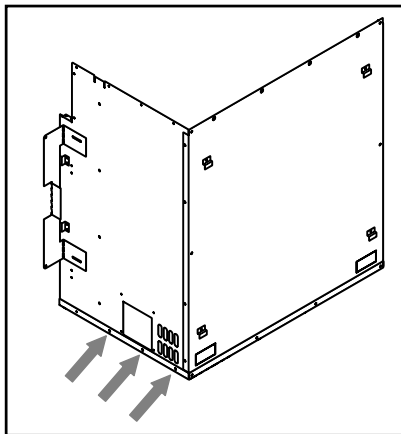
1. Place Base Panel on the working surface.



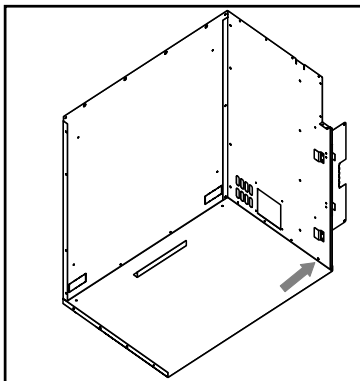
2. Position Rear Panel and fasten with blunt screw.



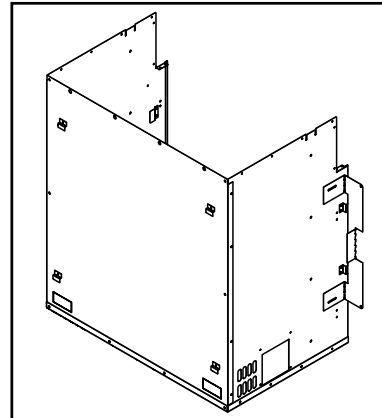
3. Install Right Panel with three screws from outside.



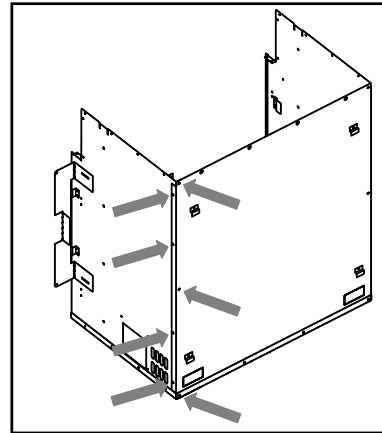
4. Fasten last screw from inside.



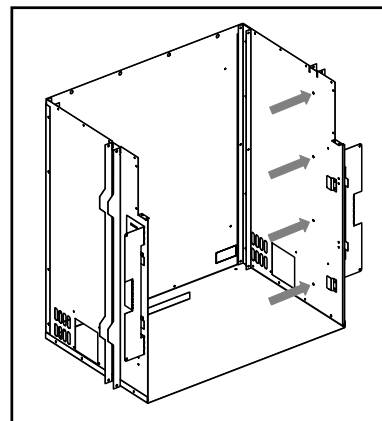
5. Repeat for the Left Panel.



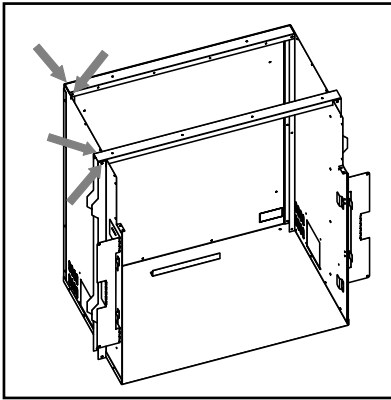
6. Install Rear Side Channel from outside, repeat on the other side.



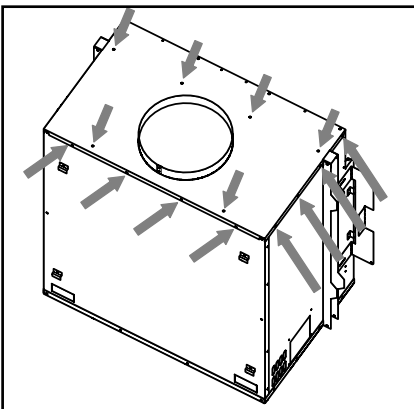
7. Install Front Side Channel from inside, repeat on the other side.



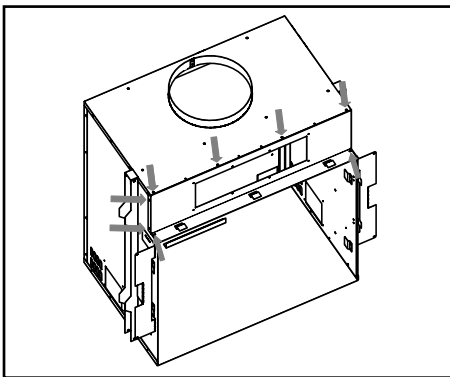
8. Install Front Top and Rear Top Channels, fasten both sides.



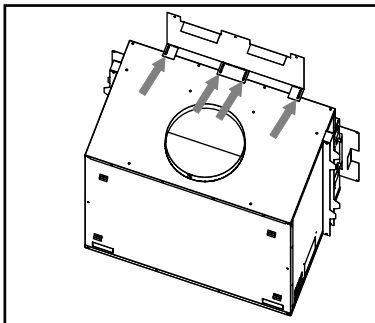
9. Install Top Panel.



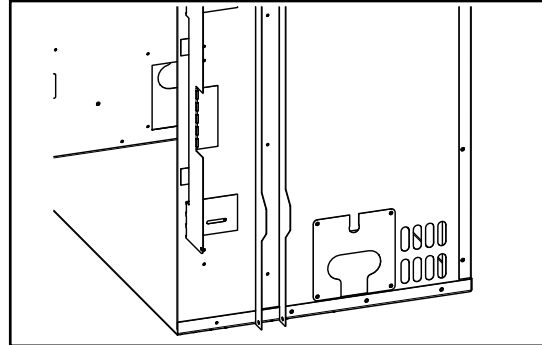
10. Install Front Panel. Use pointed screw x 2 on the lip.



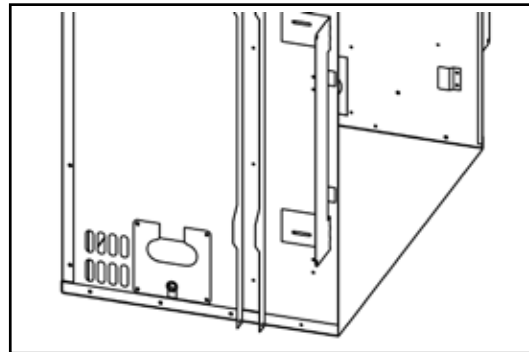
11. Install Top Nailing Strip.



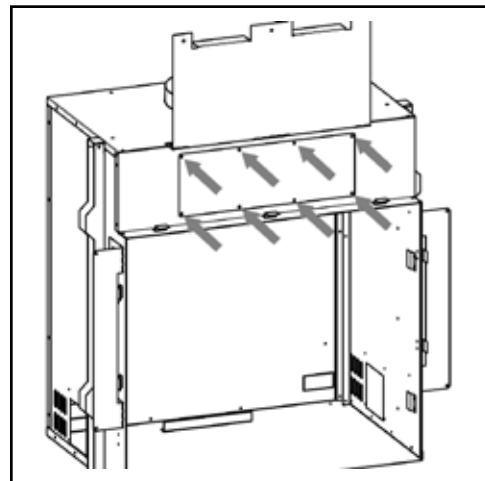
12. For Side Access, use wide opening for gas line.



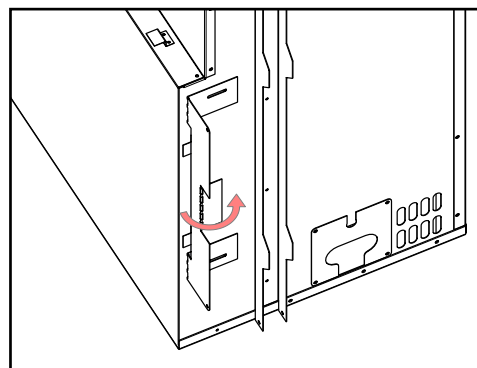
13. Use small opening for electrical cord with supplied grommet.



14. Install Front Cover.



15. Fold tab back on side nailing strip before frame installation.



Installation Instructions

CLEARANCES

The clearances listed below are minimum distances unless otherwise stated.

A major cause of chimney related fires is failure to maintain required clearances (air space) to combustible materials. It is of the greatest importance that this fireplace and flue system be installed only in accordance with these instructions.

CAUTION The top, back and sides of the fireplace are defined by standoffs. The metal ends of the standoff may NOT be recessed into combustible construction.

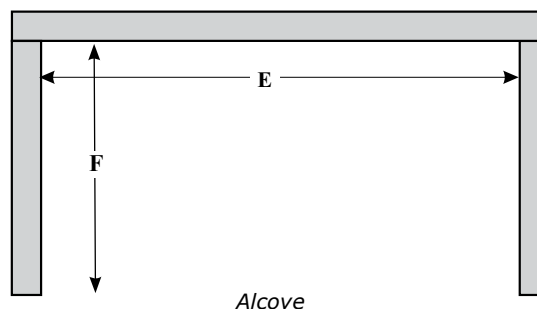
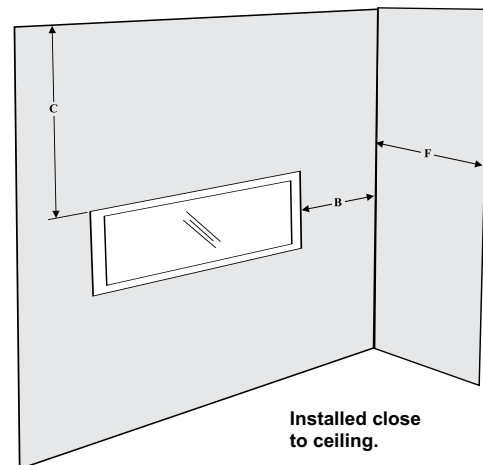
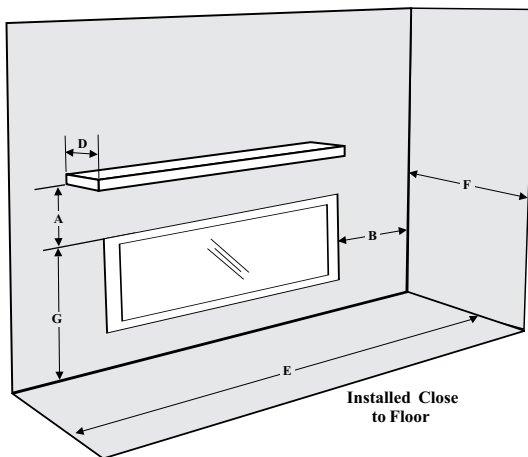
WARNING Fire hazard is an extreme risk. If these clearances (air space) to combustible materials are not adhered to. It is of greatest importance that this fireplace and flue system be installed only in accordance with these instructions.

| Clearance: | Dimension | Measured From: |
|--|-----------|---|
| A: Mantel Height (min.) | 406mm | Top of Fireplace Opening (Hot Air Outlet) |
| B: Sidewall (on one side) | 178mm | Side of Fireplace Opening |
| C: Ceiling (room and/or alcove) | 1067mm | Top of Fireplace Opening |
| D: Mantel Depth (max.) | 305mm | 420mm Above Fireplace Opening |
| E: Alcove Width | 1524mm | Sidewall to Sidewall (Minimum) |
| F: Alcove Depth | 787mm | Front to Back Wall (Maximum) |
| G: From Floor | 583mm | Top of Fireplace Opening (Hot Air Outlet) |
| Note: | 0 | No hearth required |

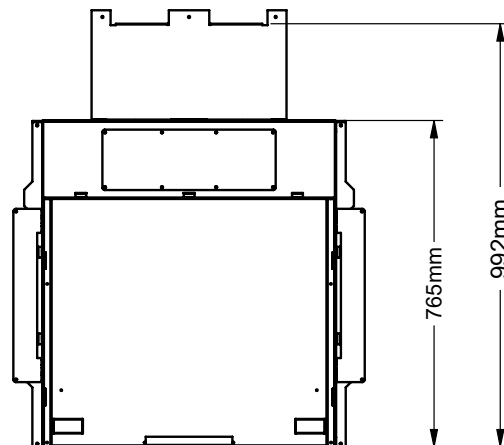
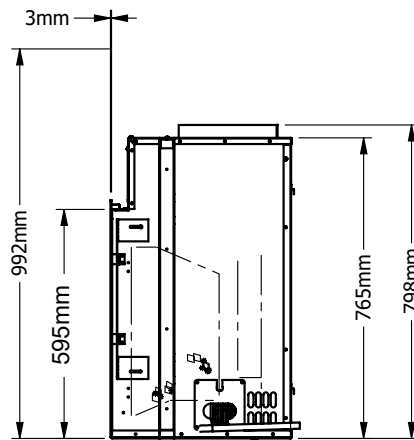
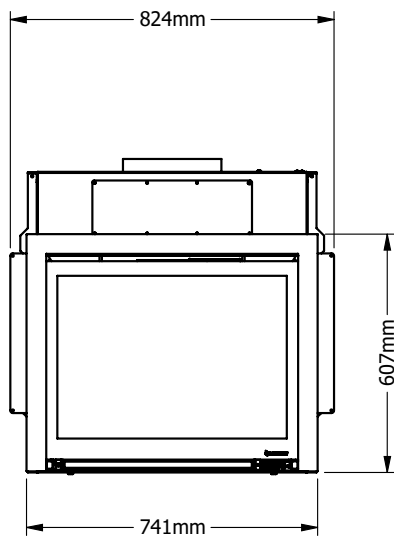
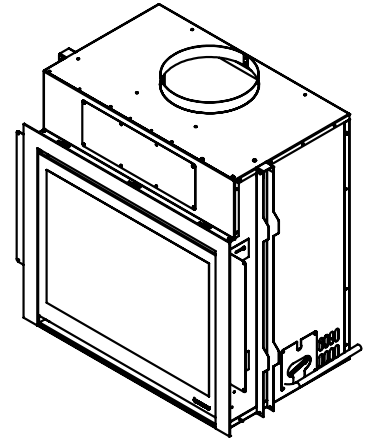
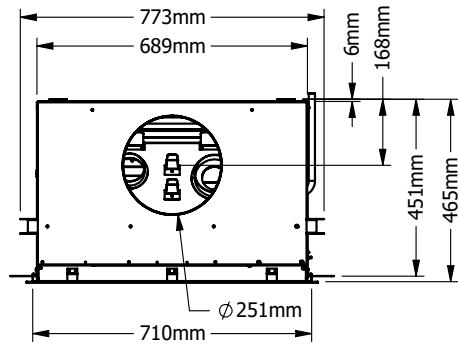
| Flue Clearances to Combustibles | |
|---------------------------------|------|
| Around Flue | 51mm |

NOTE THE APPLIANCE MUST BE INSTALLED ON A FLAT, SOLID, CONTINUOUS SURFACE. FOR EXAMPLE A WOOD, METAL OR CONCRETE FLOOR. IN A RAISED (ON THE WALL) APPLICATION THE APPLIANCE MUST BE INSTALLED ON A METAL OR WOOD PANEL EXTENDING THE FULL WIDTH AND DEPTH OF THE APPLIANCE.

NOTE THE UNIT CAN BE INSTALLED ONTO A COMBUSTIBLE BASE.

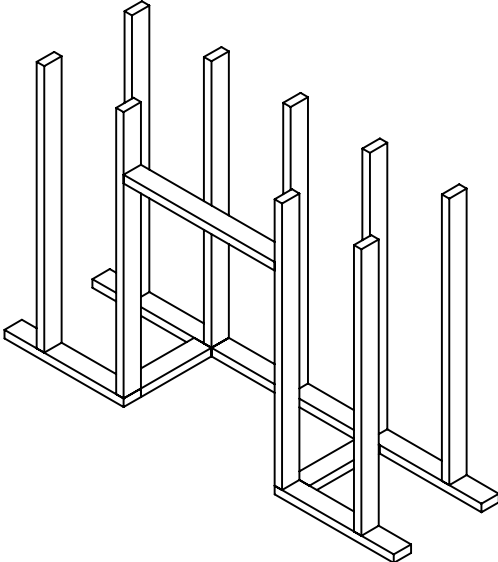
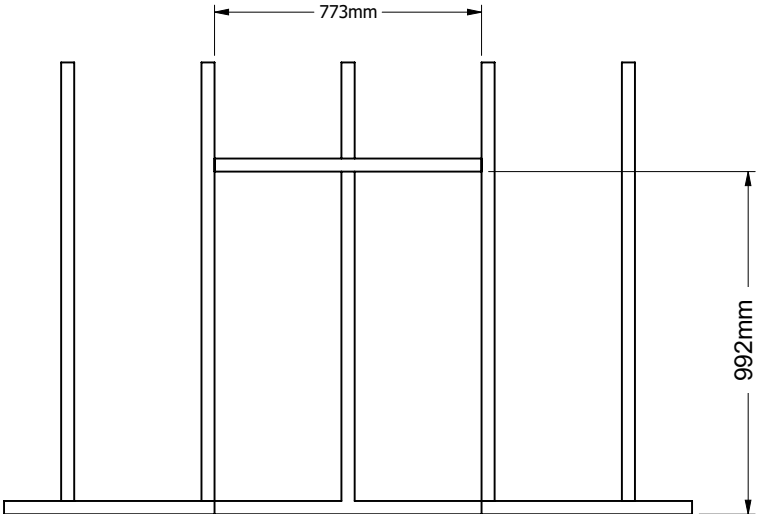
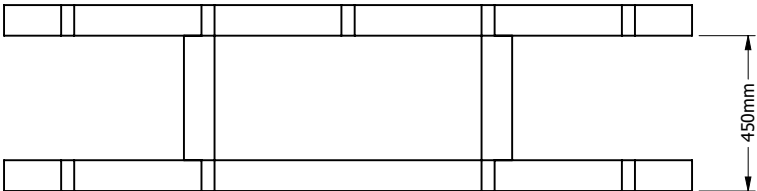


UNIT DIMENSIONS

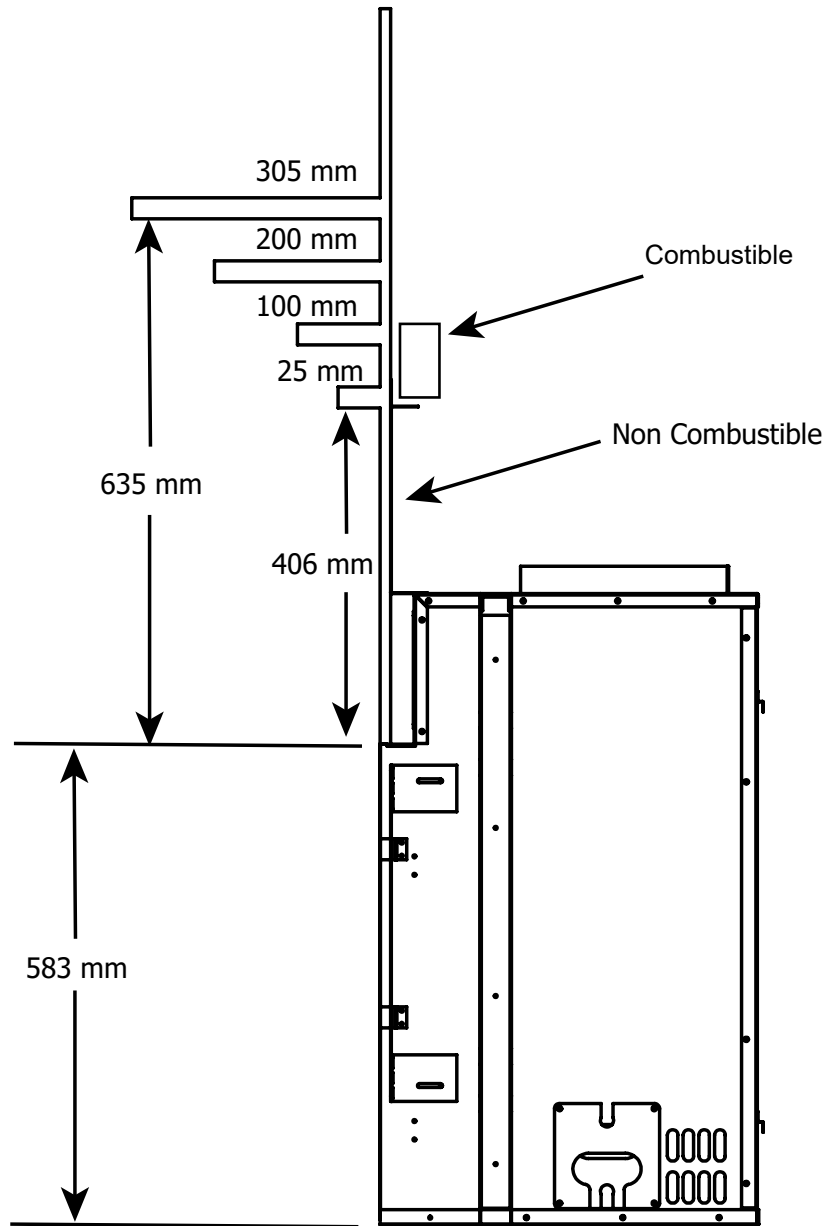


installation

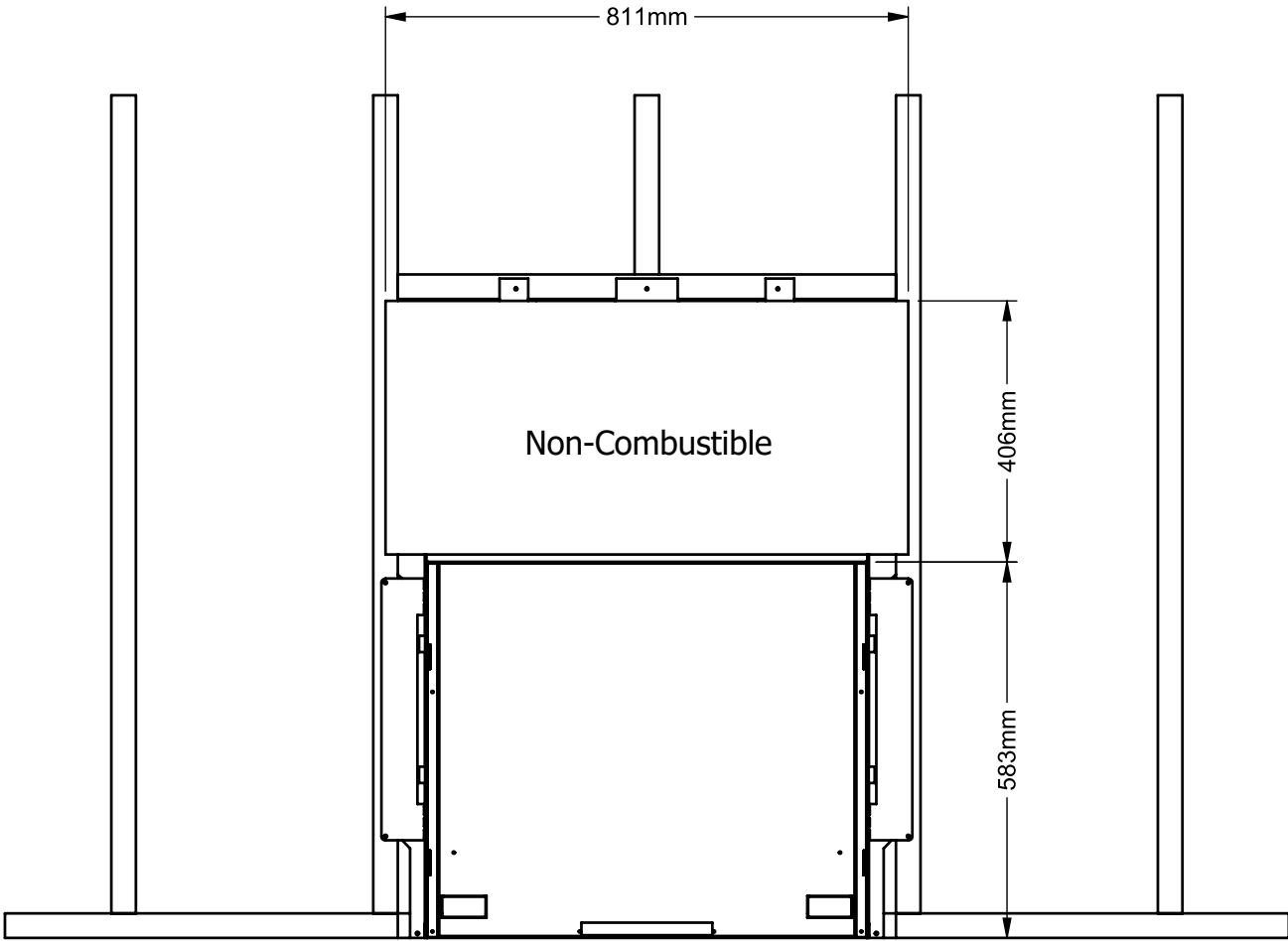
FRAMING DIMENSIONS



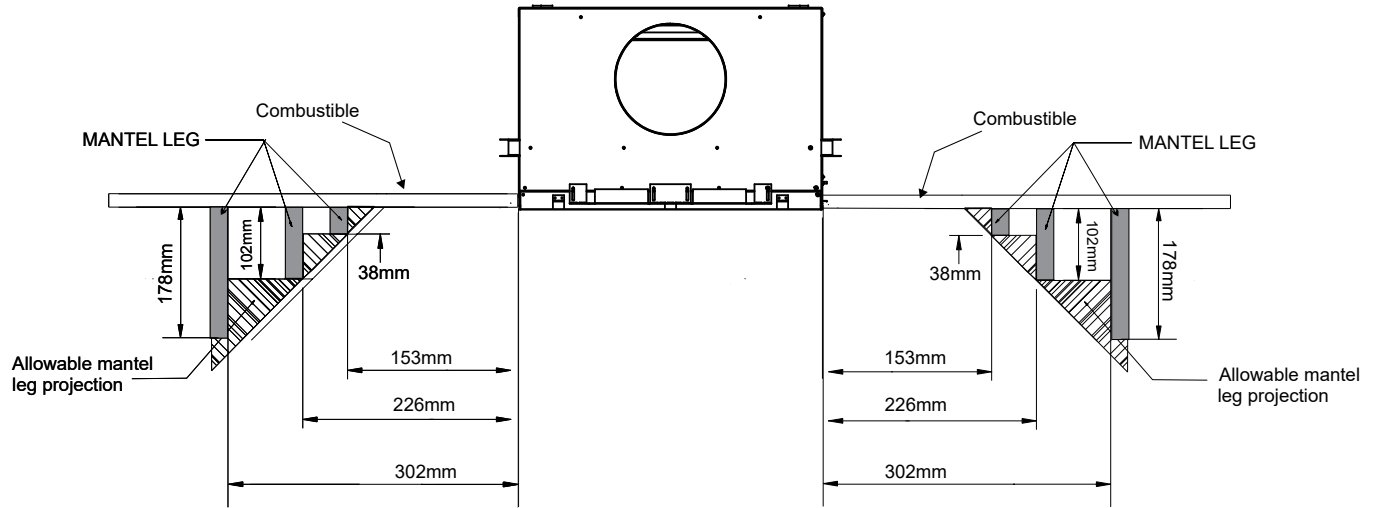
MANTEL DIMENSIONS



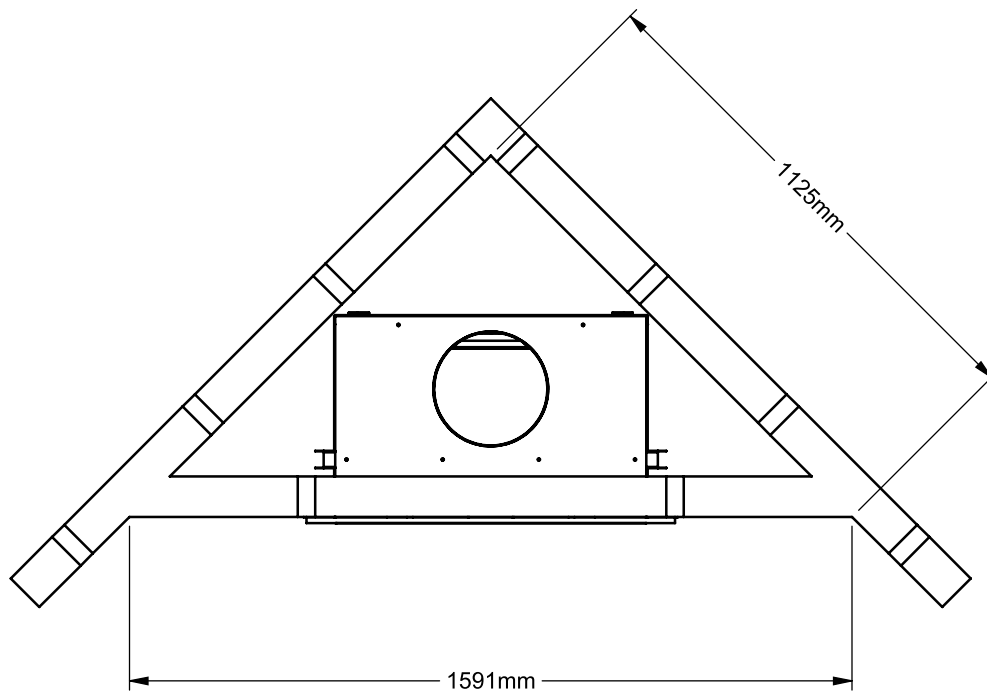
NON-COMBUSTIBLE REQUIREMENTS



MANTEL LEG CLEARANCES

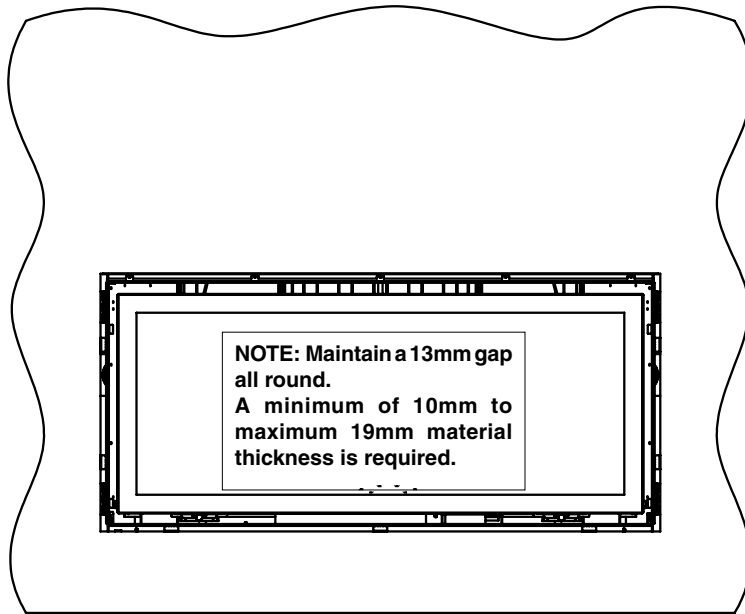


FRAMING DIMENSIONS



installation

Maintain a 13mm gap all around



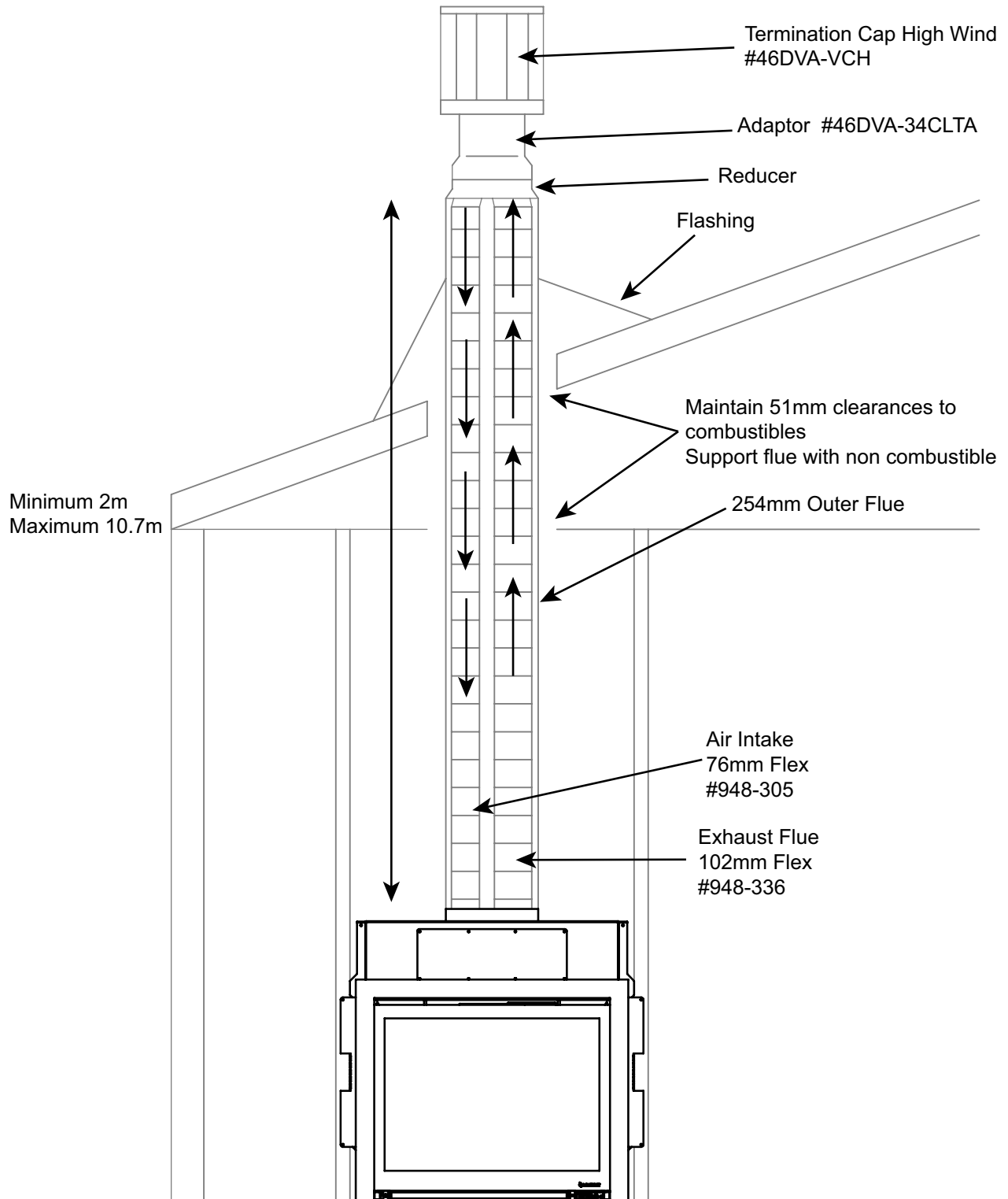
NOTE:

The appliance must be installed on a flat, solid, continuous surface. For example a wood, metal or concrete floor. In a raised (on the wall) application the appliance must be installed on a metal or wood panel extending the full width and depth of the appliance.

NOTE:

Do not remove the standoffs which are located around the perimeter of this unit. These are in place and act as a guide for the combustible material to be placed.

FLUEING ARRANGEMENT FOR VERTICAL TERMINATION



FLUEING ARRANGEMENT FOR VERTICAL TERMINATION WITH FOUR (4) 45° ELBOWS

