

Rinnai



**Gas Clothes
Dryer**



Superior Performance Dryers

Rinnai Dry-Soft® dryers combine a large 9kg capacity with the efficient heating power of gas. Consequently they produce less greenhouse emissions than conventional electric dryers, are far more powerful reducing cycle times and by using gas as the heat source rather than electricity, running cost savings are also enjoyed.

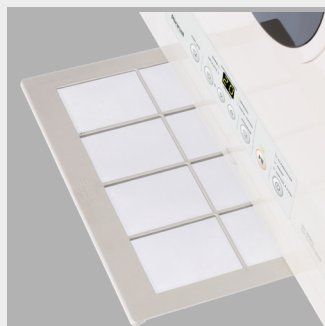
In addition to all the great environmental, time and running cost savings of the Dry-Soft, the quality of the dryness and softness of the clothes is also far superior. Gas heated air combined with inbuilt sensors ensures that clothes don't over-dry. This eliminates the build-up of static electricity and ensures that the clothes are not only soft, but reduces the majority of wrinkles and ultimately the amount of ironing required.



Wall Bracket



Lint Filter



Air Inlet Filter



Electronic Control Panel

Features

Easy-to-use

Electronic controls feature 4 individual Drying Programs and a Timer with an Auto-Stop function which senses the moisture content and automatically stops the cycle when the clothes are dry. This eliminates any over-drying and further saves on the running costs.

Delicate & Extra Soft cycles

In these programs the Dry-Soft gently dries at lower temperatures. The unit will stop the drum rotation and blow cool air so that clothes are extra soft, and reduce wrinkles from forming.

Timer with Auto-Stop feature

This can be set between 5 and 90 minutes on the Dry-Soft 9. Inbuilt humidity sensors override the timer and automatically switch off the dryer when the clothes are sufficiently dry, increasing efficiency and avoiding over drying, to protect your clothes.

Exhaust Duct

No moist air, lint or dust is discharged into the room, which can cause mould and pose safety risks. The exhaust duct also means the appliance is considerably quieter than conventional electric dryers.

Mounting Options

The Dry-Soft can be bench mounted or wall mounted with the use of an additional bracket. For convenience, the front door can be positioned on the left or right side to suit your location needs.

Benefits

All of these benefits combined with our superior drying performance, show why the Rinnai Dry-Soft is the responsible choice.



Less Environmental Impact

At no time in history has it been more important to reduce our impact on the environment. The Dry-Soft produces significantly less greenhouse emissions than a conventional electric dryer.

Quicker Drying Time

Due to the efficient heating power of gas, drying times are dramatically reduced.

Lower Running Costs

Gas is far less expensive than electricity and when compared to an electric dryer, running costs were reduced. This includes the small electrical load required to power the Dry-Soft and spin the drum.

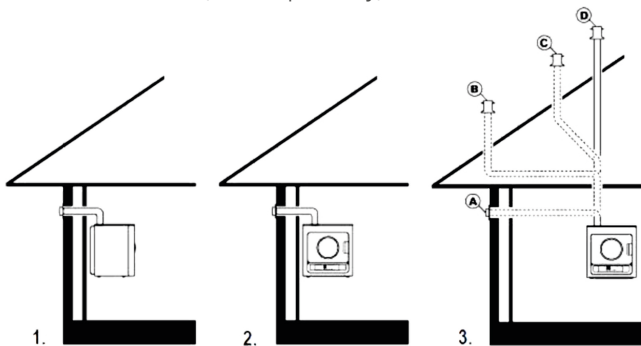
Specifications

Appliance Details

Model	Weight	Dimensions				Standard Drying Capacity (Dry Weight)	Standard Drying Time†	Power Supply	Power Cord Length	Power Consumption	Gas Consumption/hour	
		W	D	H							Natural	Propane
				Feet Attached	Feet Removed							
Dry-Soft9 RDT-90AU	33kg	650	641	684	661	9kg	90 minutes	AC 230 V (50Hz)	1.5m	245 W (at standby, 0.5 W)	36.5 MJ/h	36.1 MJ/h

Exhaust Options

All Dry-Soft Models must be installed with a Rinnai exhaust kit (sold separately).



Key	Description	Model Code
1	Horizontal Exhaust Kit	DSHKIT
2		
3A	Horizontal Exhaust Kit Duct Pipe 1000mm#	DSHKIT DSFPIPE1000
3B	Vertical Exhaust Kit Duct Pipe 1000mm# 2 Sets of Bends (2x45°)	DSVKIT DSFPIPE1000 DSFBEND
3C	Vertical Exhaust Kit Duct Pipe 1000mm# Bend (2x45°)	DSVKIT DSFPIPE1000 DSFBEND
3D	Vertical Exhaust Kit Duct Pipe 1000mm#	DSVKIT DSFPIPE1000

Bench or wall mounting



Description	Model Code
Dry Soft 9 Bracket	DS9BKT

Order lengths as required

† Standard Drying Capacity and Drying Time is based on garments that have been through a washing machine spin cycle (Cotton: Synthetics = 50:50)

Please note: 240V power is required on all models. A power cord and plug is fitted. If hardwiring is required, consult a licensed electrician. Dimensions are subject to production tolerances and may vary slightly from those given. Rinnai Australia Pty. Ltd. reserves the right to make modifications and change specifications without notice.

Rinnai Australia Pty Ltd

ABN 74 005 138 769

100 Atlantic Drive, Keysborough, Victoria 3173

For further information call 1300 555 545 or visit rinnai.com.au

TOTAL HOME COMFORT



Rinnai