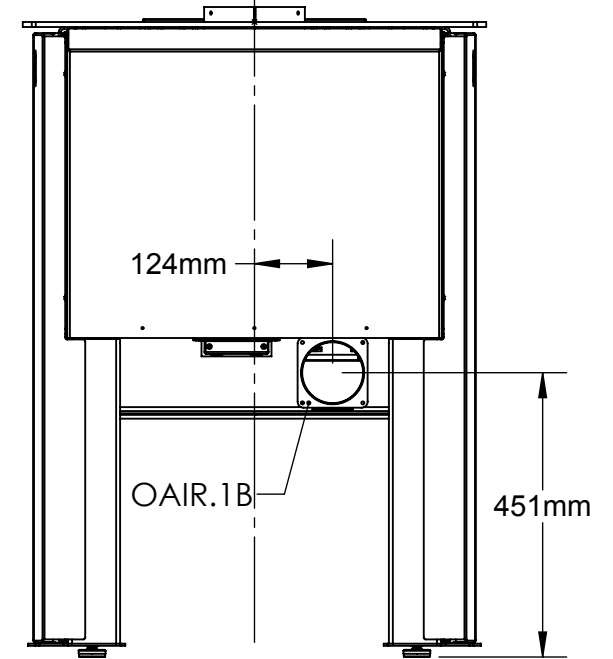
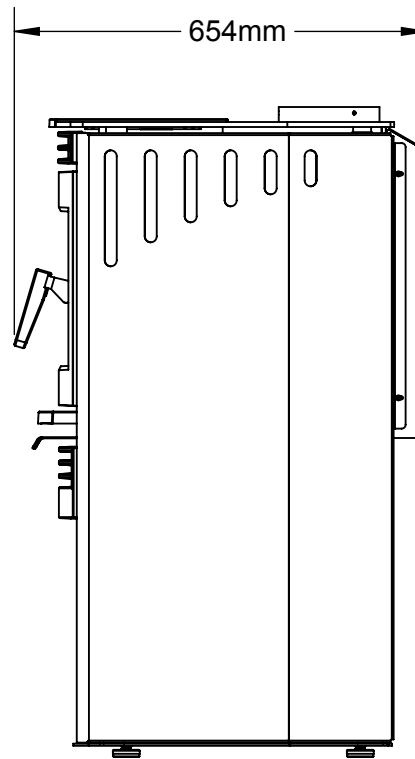
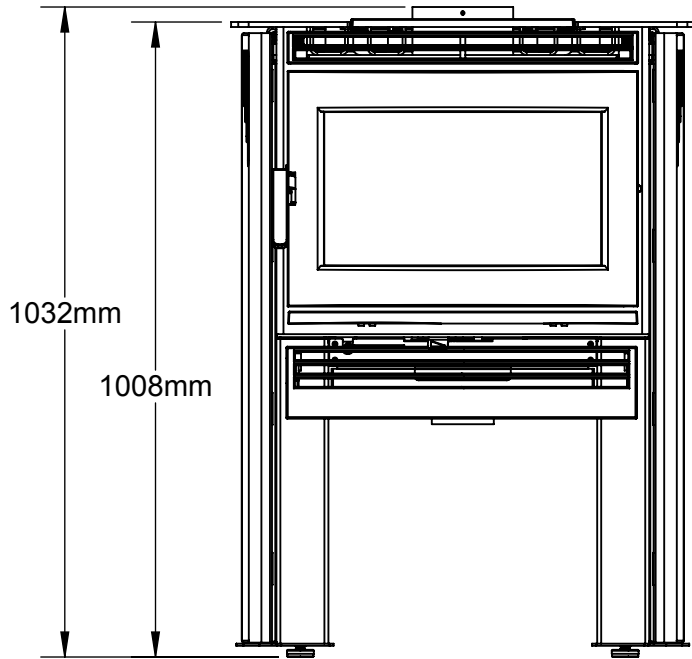

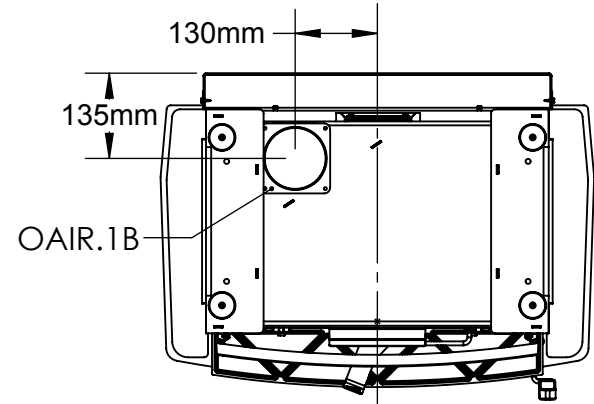
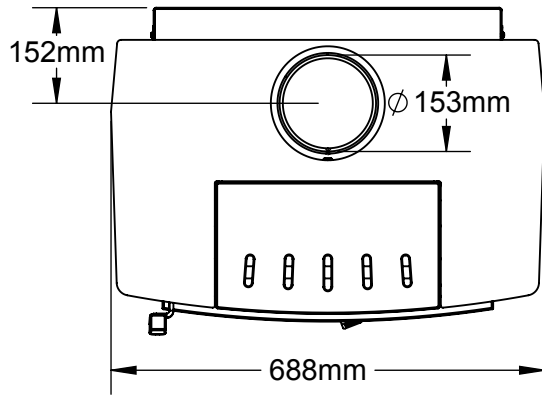


OPTION 2: FOR INTAKE THROUGH BOTTOM

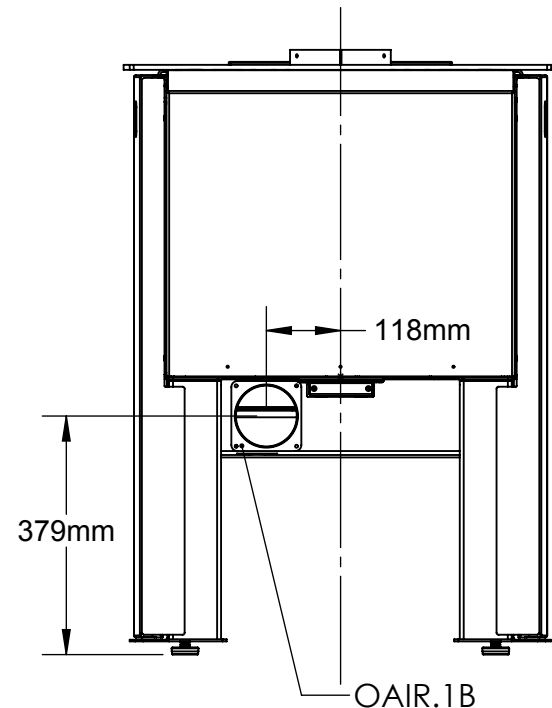
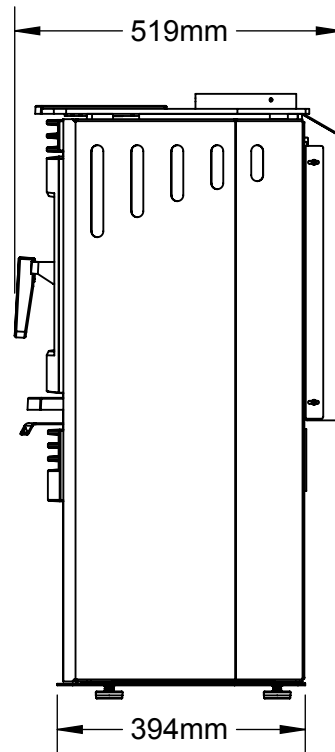
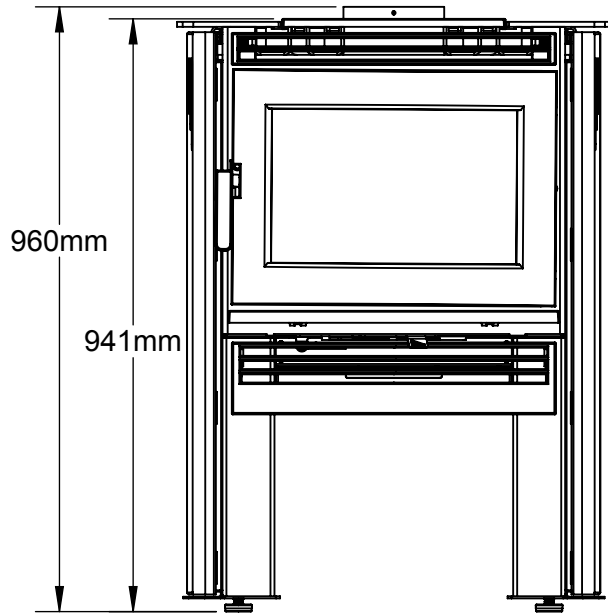


OPTION 1: FOR INTAKE THROUGH REAR

<b>PROPRIETARY</b> NO PART OF THIS DOCUMENT MAY BE REPRODUCED OR STORED IN ANY RETRIEVAL SYSTEM, OR TRANSMITTED IN ANY FORM WITHOUT WRITTEN PERMISSION OF PACIFIC ENERGY FIREPLACE PRODUCTS LTD.	DR'N:	SCALE:	APP'D:	 2975 Allenby Rd Duncan, BC Canada Tel: 1.250.748.1184 Fax: 1.250.748.0844 <small>PACIFIC ENERGY FIREPLACE PRODUCTS LTD.</small>
	DATE:	1:12		
ASSEMBLY NO. <b>NE25.MBKA</b>		DESCRIPTION: NEO 2.5 Freestanding		REV:

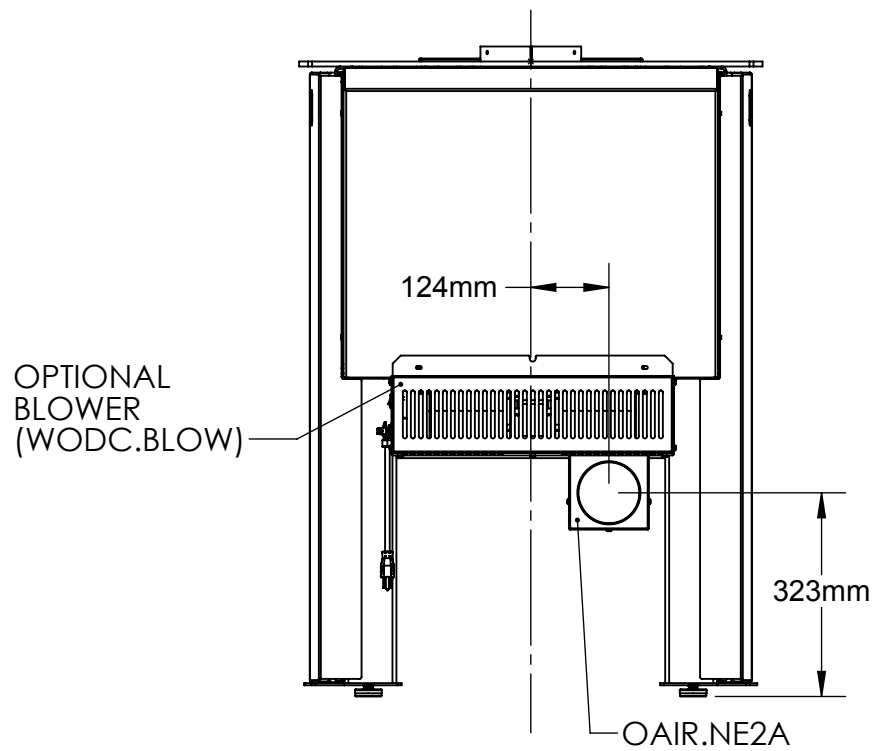


OPTION 2: FOR INTAKE THROUGH BOTTOM

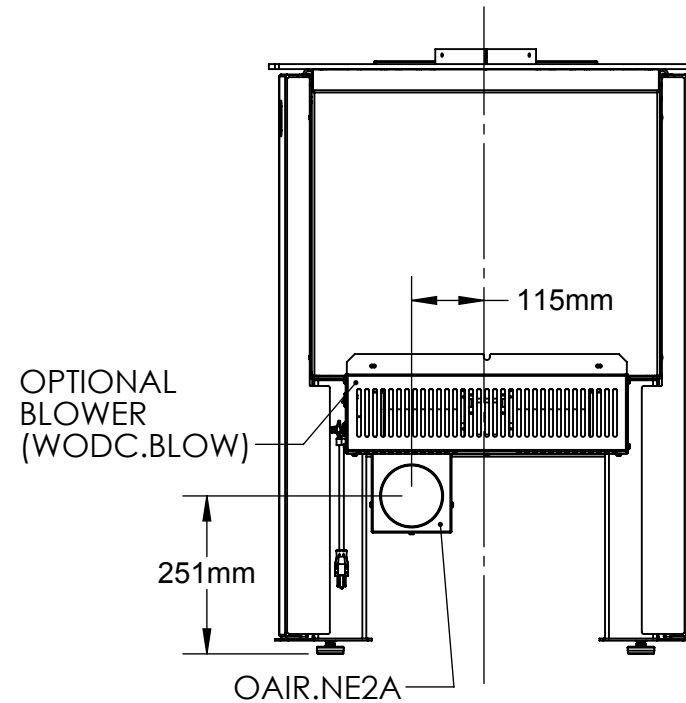


OPTION 1: FOR INTAKE THROUGH REAR

<b>PROPRIETARY</b> NO PART OF THIS DOCUMENT MAY BE REPRODUCED OR STORED IN ANY RETRIEVAL SYSTEM, OR TRANSMITTED IN ANY FORM WITHOUT WRITTEN PERMISSION OF PACIFIC ENERGY FIREPLACE PRODUCTS LTD.	DR'N:	SCALE:	APP'D:	<b>PACIFIC ENERGY</b> 2975 Allenby Rd Duncan, BC Canada Tel: 1.250.748.1184 Fax: 1.250.748.0844 <small>PACIFIC ENERGY FIREPLACE PRODUCTS LTD.</small>
	DATE:	1:12		
ASSEMBLY NO. <b>NE16.MBKA</b>			REV:	
DESCRIPTION: Neo 1.6 Freestanding				




NEO 2.5

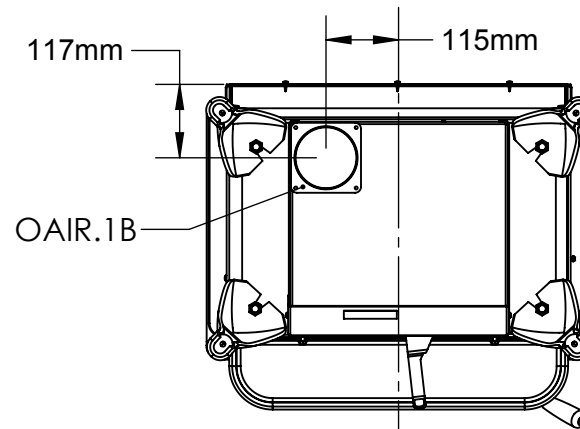
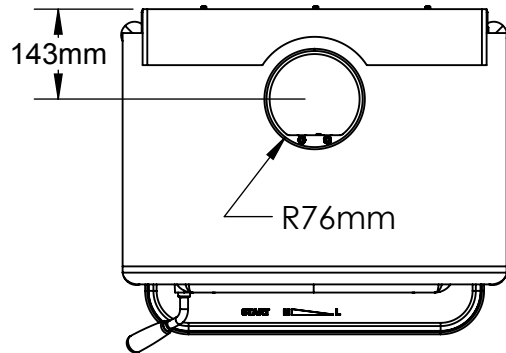


NEO 1.6

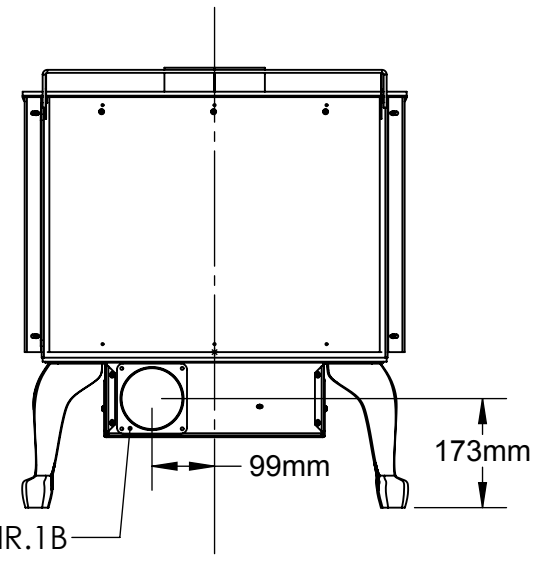
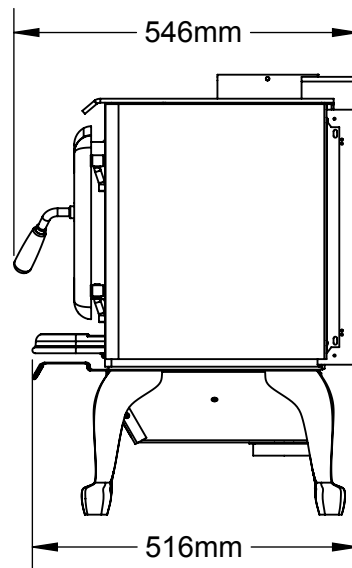
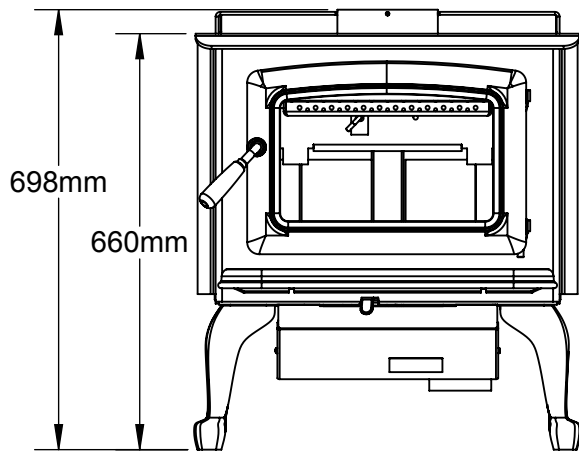
FOR NEO MODELS, INTAKE OPTION 3:

WHEN USING OPTIONAL BLOWER, USE OAIR.NE2A TO ALLOW FOR REAR-FACING AIR INLET


<b>PROPRIETARY</b> NO PART OF THIS DOCUMENT MAY BE REPRODUCED OR STORED IN ANY RETRIEVAL SYSTEM, OR TRANSMITTED IN ANY FORM WITHOUT WRITTEN PERMISSION OF PACIFIC ENERGY FIREPLACE PRODUCTS LTD.	DR'N:	SCALE:	APP'D:	 2975 Allenby Rd Duncan, BC Canada Tel: 1.250.748.1184 Fax: 1.250.748.0844 <small>PACIFIC ENERGY FIREPLACE PRODUCTS LTD.</small>
	DATE:	1:12		
ASSEMBLY NO.				REV:
DESCRIPTION: NEO OPTIONAL BLOWER WITH OAIR.2B KIT				

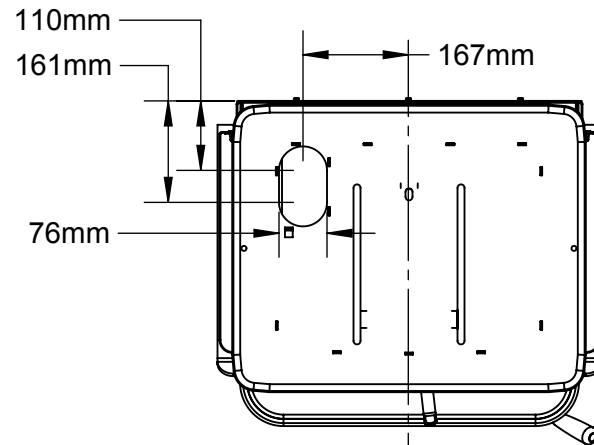
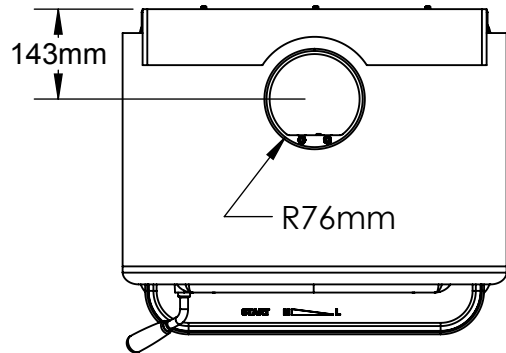


OPTION 2: FOR INTAKE THROUGH BOTTOM

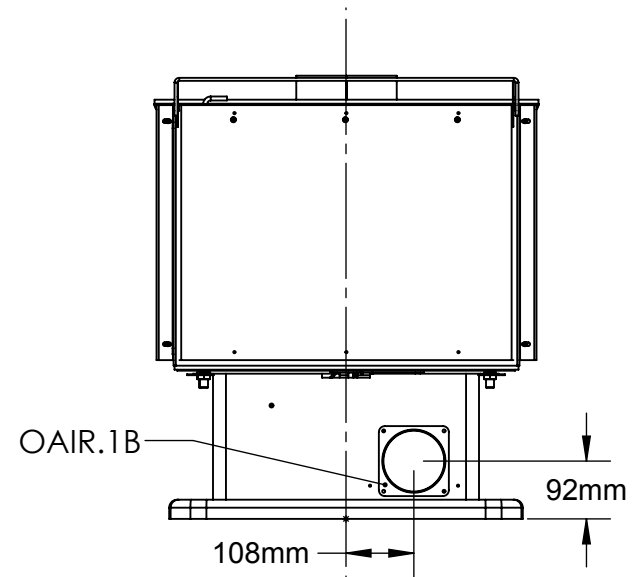
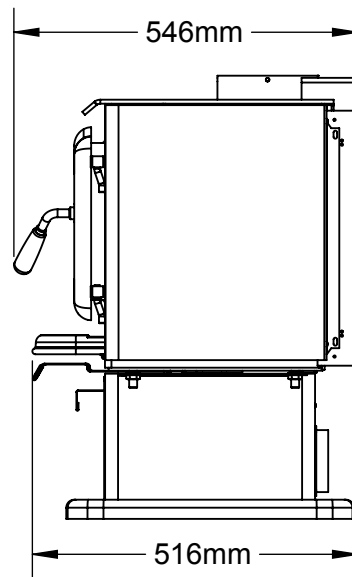
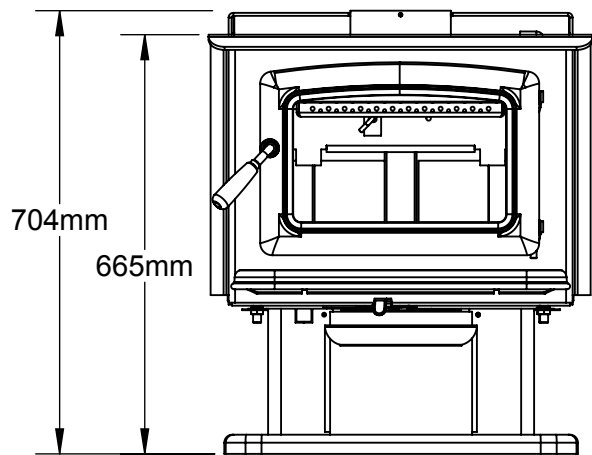


OPTION 1: FOR INTAKE THROUGH REAR


<b>PROPRIETARY</b> NO PART OF THIS DOCUMENT MAY BE REPRODUCED OR STORED IN ANY RETRIEVAL SYSTEM, OR TRANSMITTED IN ANY FORM WITHOUT WRITTEN PERMISSION OF PACIFIC ENERGY FIREPLACE PRODUCTS LTD.	DR'N:	SCALE:	APP'D:	 2975 Allenby Rd Duncan, BC Canada Tel: 1.250.748.1184 Fax: 1.250.748.0844 <small>PACIFIC ENERGY FIREPLACE PRODUCTS LTD.</small>
	DATE:	1:12		
ASSEMBLY NO. <b>VIST.COMP</b>			REV:	
DESCRIPTION: VISTA HERITAGE FREESTANDING (LEG)				

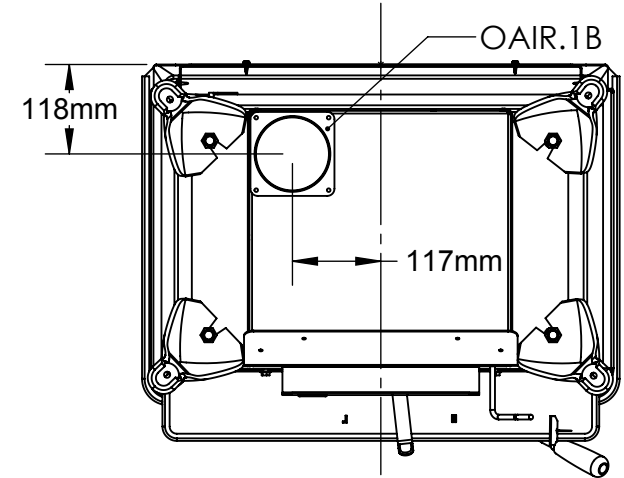
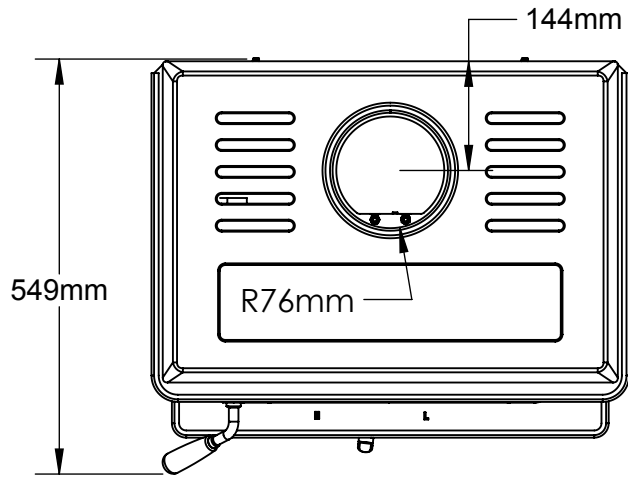


OPTION 2: FOR INTAKE THROUGH BOTTOM

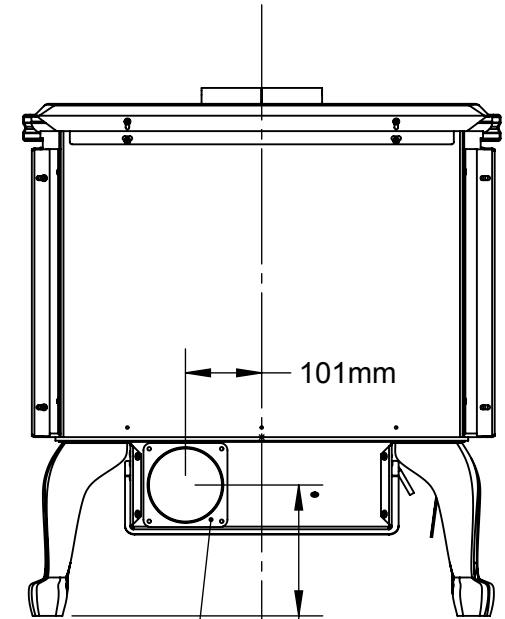
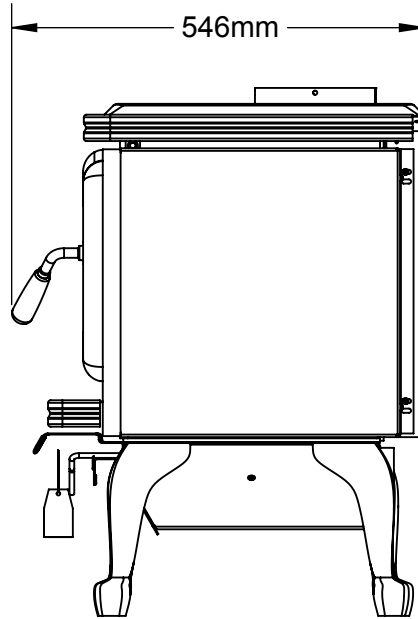
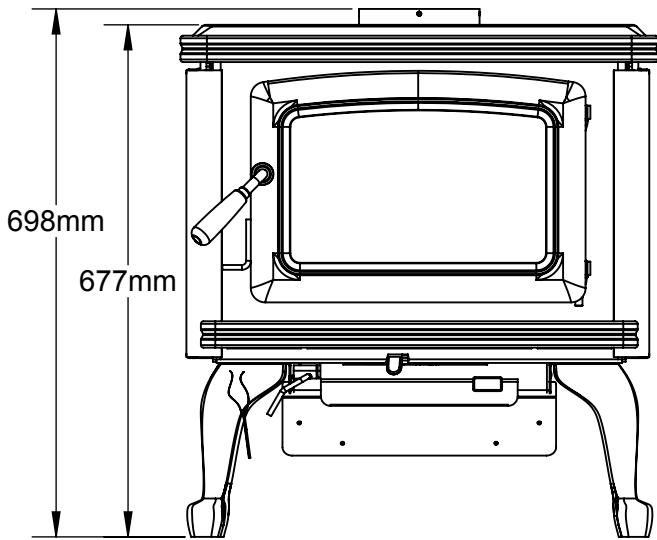


OPTION 1: FOR INTAKE THROUGH REAR

<b>PROPRIETARY</b> NO PART OF THIS DOCUMENT MAY BE REPRODUCED OR STORED IN ANY RETRIEVAL SYSTEM, OR TRANSMITTED IN ANY FORM WITHOUT WRITTEN PERMISSION OF PACIFIC ENERGY FIREPLACE PRODUCTS LTD.	DR'N:	SCALE:	APP'D:	 2975 Allenby Rd Duncan, BC Canada Tel: 1.250.748.1184 Fax: 1.250.748.0844 <small>PACIFIC ENERGY FIREPLACE PRODUCTS LTD.</small>
	DATE:	1:12		
ASSEMBLY NO. <b>VIST.COMP</b>	20/12/2016			REV:
DESCRIPTION: VISTA HERITAGE FREESTANDING (PEDESTAL)				



OPTION 2: FOR INTAKE THROUGH BOTTOM



OPTION 1: FOR INTAKE THROUGH REAR

**PROPRIETARY**  
NO PART OF THIS DOCUMENT MAY BE  
REPRODUCED OR STORED IN ANY RETRIEVAL  
SYSTEM, OR TRANSMITTED IN ANY FORM  
WITHOUT WRITTEN PERMISSION OF PACIFIC  
ENERGY FIREPLACE PRODUCTS LTD.

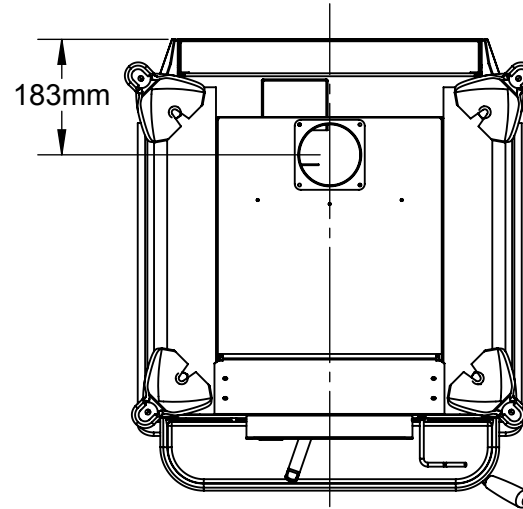
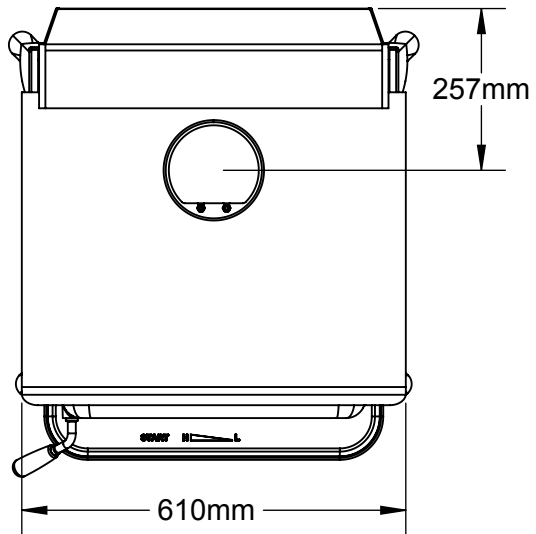
DR'N:  
DATE: 20/12/2016

SCALE: 1:10  
APP'D:

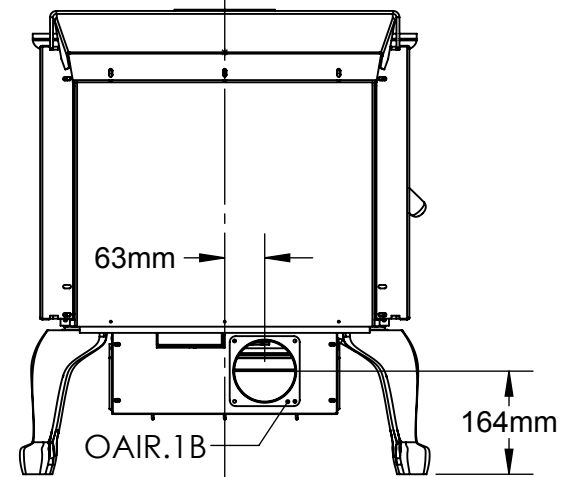
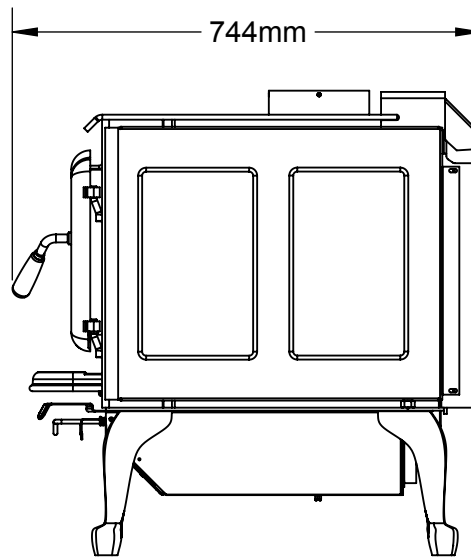
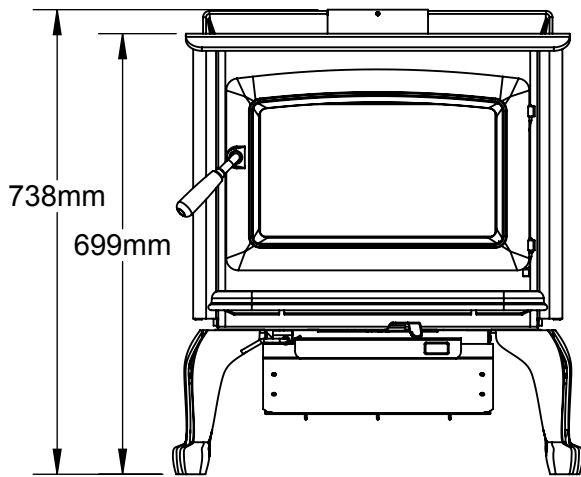
**PACIFIC ENERGY**  
2975 Allenby Rd  
Duncan, BC  
Canada  
Tel: 1.250.748.1184  
Fax: 1.250.748.0844  
PACIFIC ENERGY FIREPLACE PRODUCTS LTD.

REV.	DESCRIPTION	DATE	APPROVED
REVISIONS			


ASSEMBLY NO. <b>VISC.PBKA</b>	REV:
DESCRIPTION: Vista Classic Freestanding (Leg)	

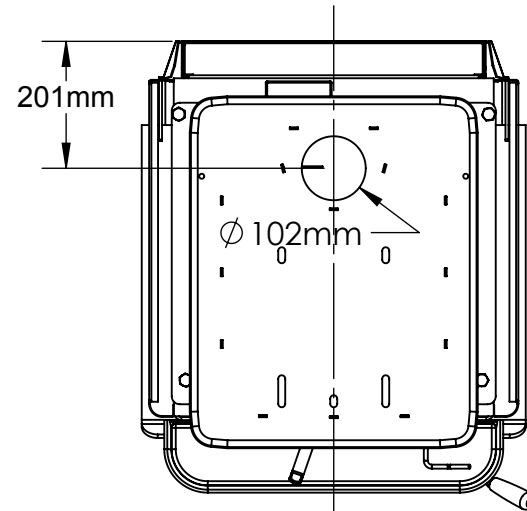
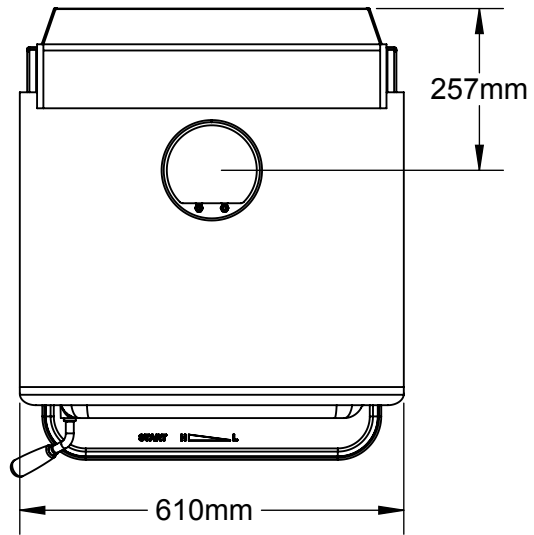


OPTION 2: FOR INTAKE THROUGH BOTTOM

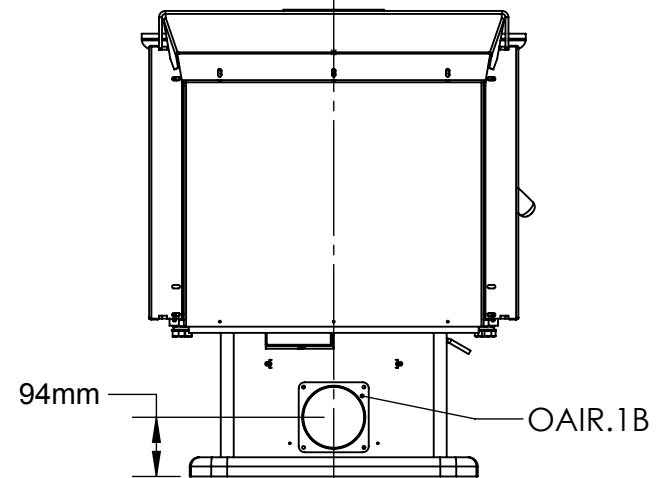
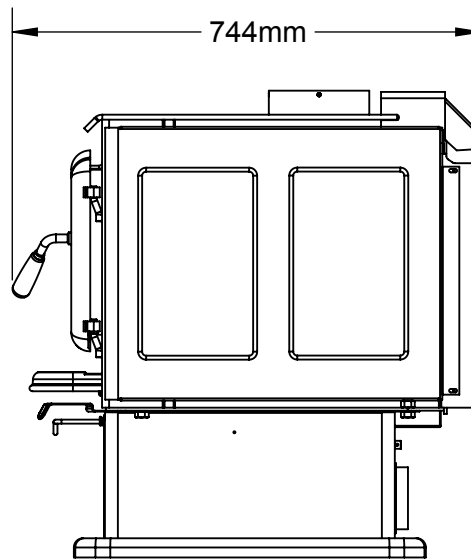
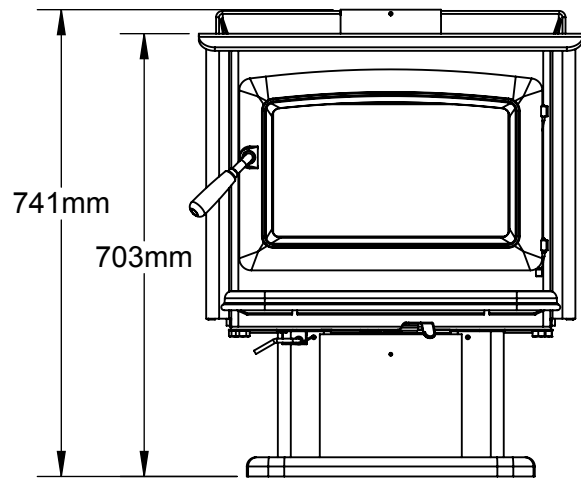


OPTION 1: FOR INTAKE THROUGH REAR


<b>PROPRIETARY</b> NO PART OF THIS DOCUMENT MAY BE REPRODUCED OR STORED IN ANY RETRIEVAL SYSTEM, OR TRANSMITTED IN ANY FORM WITHOUT WRITTEN PERMISSION OF PACIFIC ENERGY FIREPLACE PRODUCTS LTD.	DR'N:	SCALE:	APP'D:	 2975 Allenby Rd Duncan, BC Canada Tel: 1.250.748.1184 Fax: 1.250.748.0844 <small>PACIFIC ENERGY FIREPLACE PRODUCTS LTD.</small>
	DATE:	1:12		
ASSEMBLY NO. <b>SUPD.BODY</b>		REV:		
DESCRIPTION: SUPER 27 FREESTANDING (PEDESTAL)				



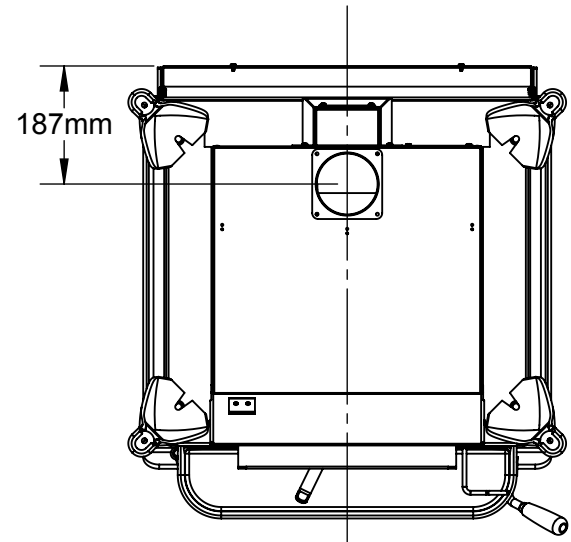
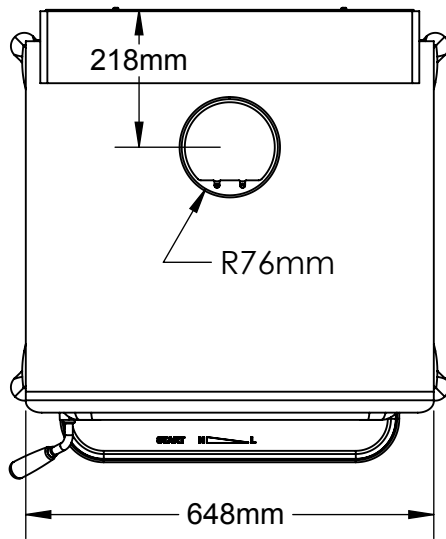
OPTION 2: FOR INTAKE THROUGH BOTTOM



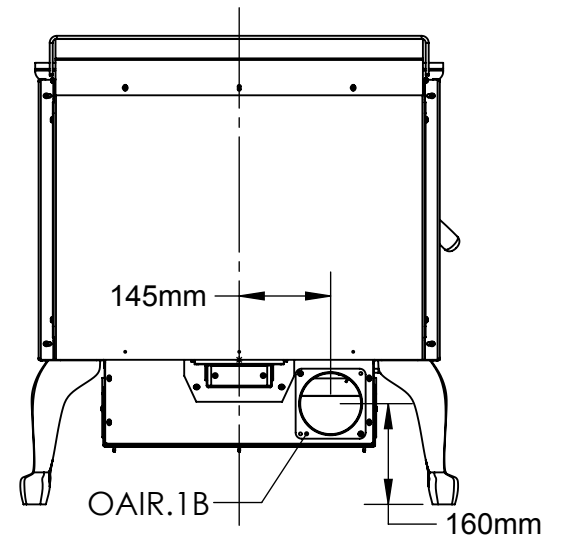
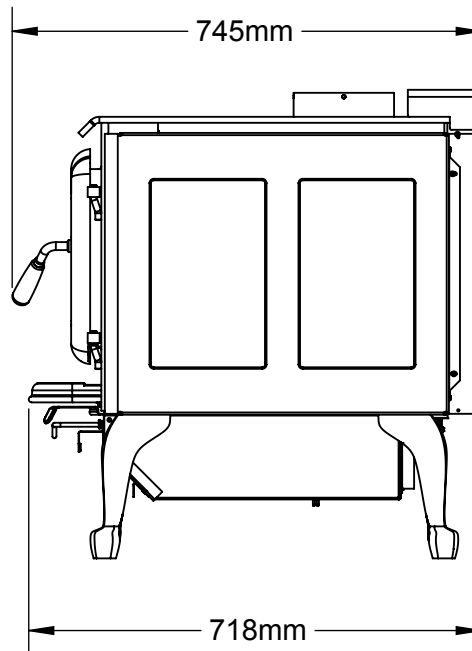
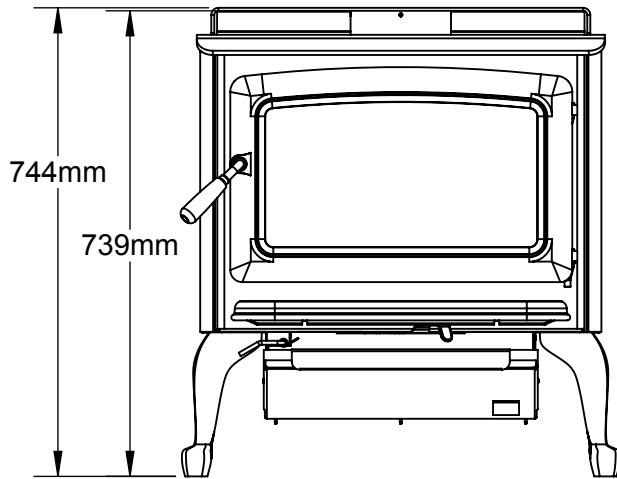
OPTION 1: FOR INTAKE THROUGH REAR

<b>PROPRIETARY</b> NO PART OF THIS DOCUMENT MAY BE REPRODUCED OR STORED IN ANY RETRIEVAL SYSTEM, OR TRANSMITTED IN ANY FORM WITHOUT WRITTEN PERMISSION OF PACIFIC ENERGY FIREPLACE PRODUCTS LTD.	DR'N:	SCALE:	APP'D:	 2975 Allenby Rd Duncan, BC Canada Tel: 1.250.748.1184 Fax: 1.250.748.0844 <small>PACIFIC ENERGY FIREPLACE PRODUCTS LTD.</small>
	DATE:	1:12		
ASSEMBLY NO. <b>SUPD.BODY</b>			REV:	
DESCRIPTION: SUPER 27 FREESTANDING (PEDESTAL)				




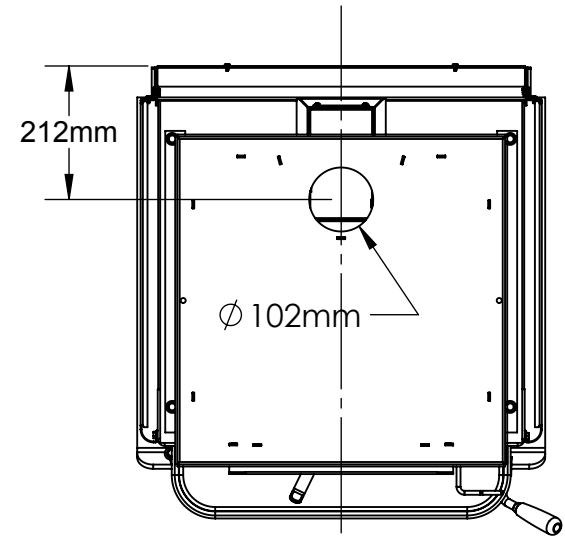
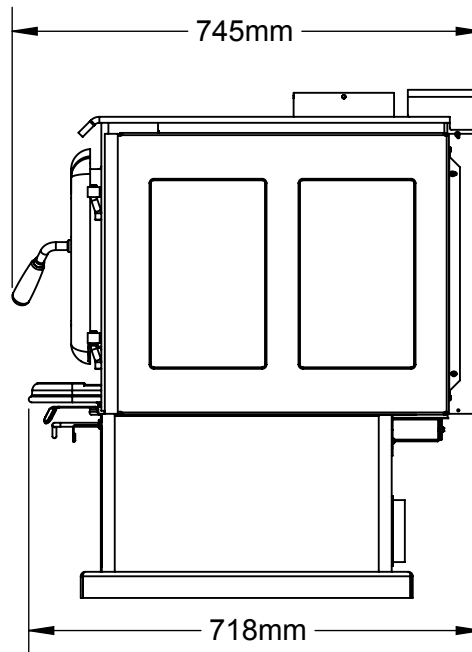
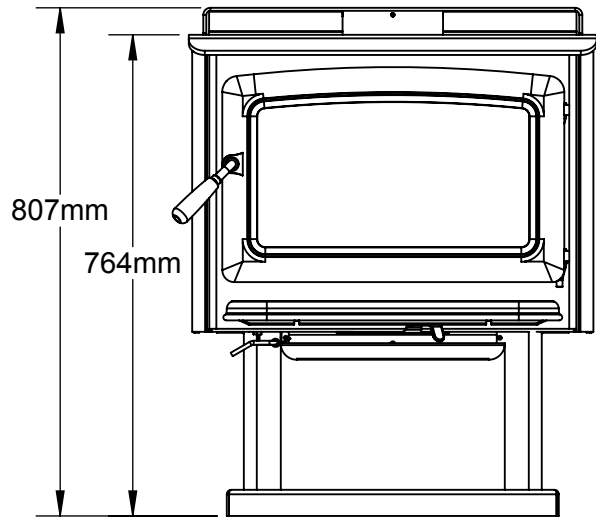
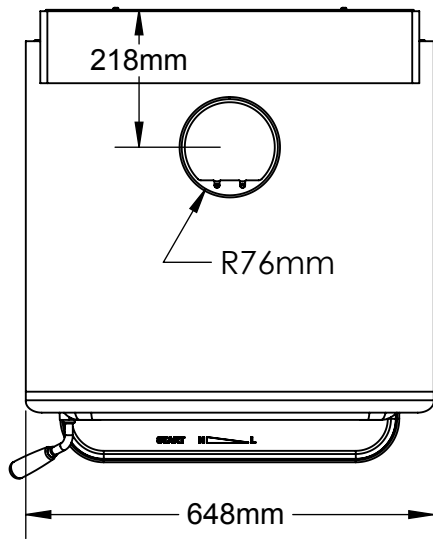


OPTION 2: FOR INTAKE THROUGH BOTTOM

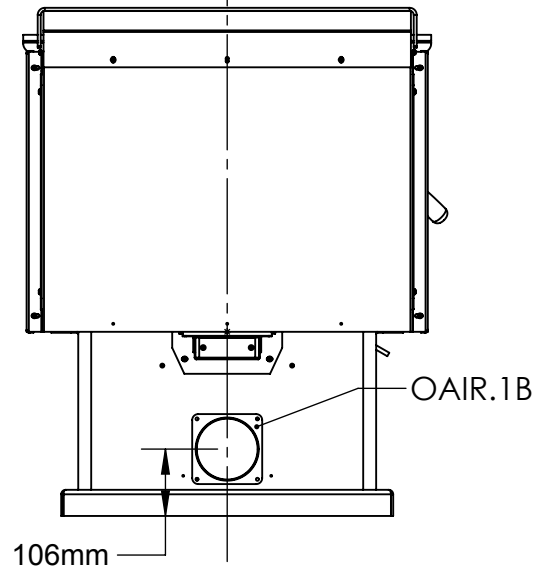


OPTION 1: FOR INTAKE THROUGH REAR


<b>PROPRIETARY</b> NO PART OF THIS DOCUMENT MAY BE REPRODUCED OR STORED IN ANY RETRIEVAL SYSTEM, OR TRANSMITTED IN ANY FORM WITHOUT WRITTEN PERMISSION OF PACIFIC ENERGY FIREPLACE PRODUCTS LTD.	DR'N:	SCALE:	APP'D:	 2975 Allenby Rd Duncan, BC Canada Tel: 1.250.748.1184 Fax: 1.250.748.0844 <small>PACIFIC ENERGY FIREPLACE PRODUCTS LTD.</small>
	DATE:	1:12		
ASSEMBLY NO. <b>SUMB.BODY</b>		REV:		
DESCRIPTION: <b>SUMMIT FREESTANDING (LEG)</b>				

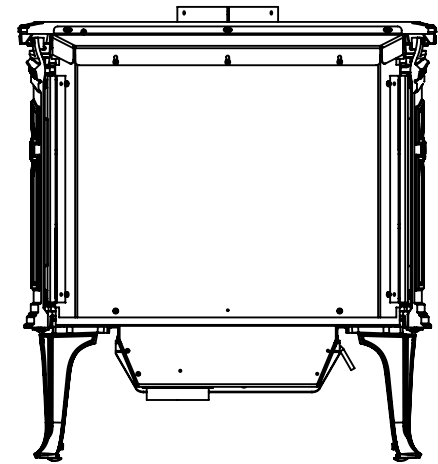
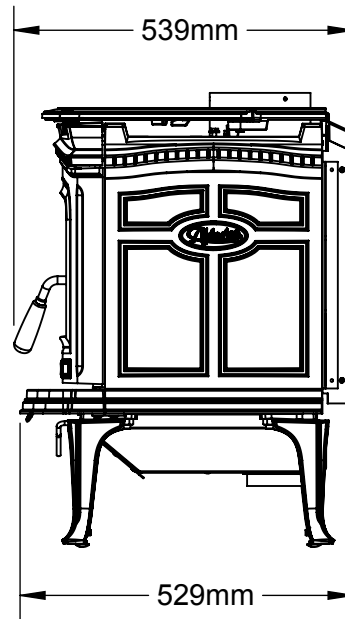
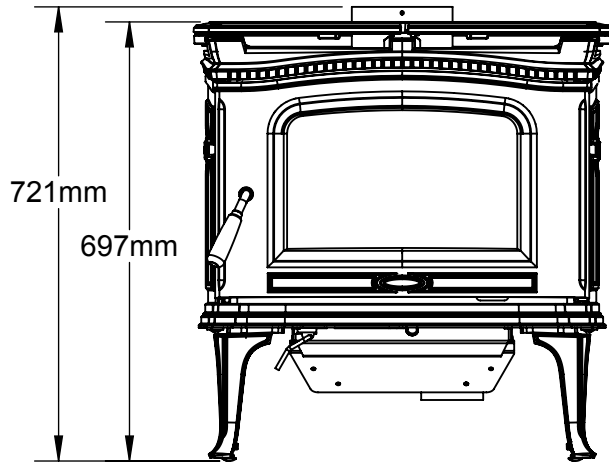
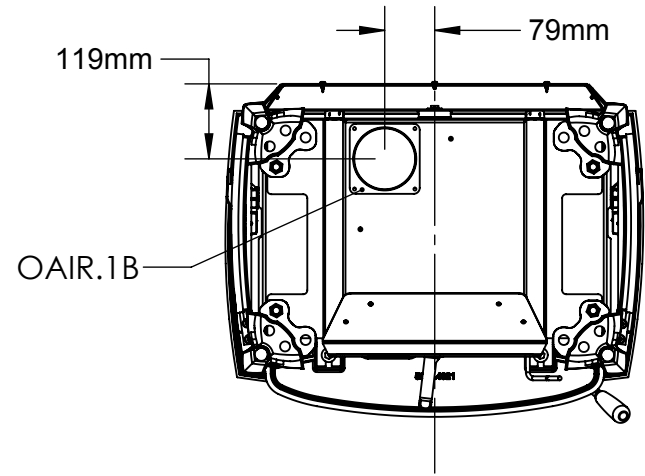
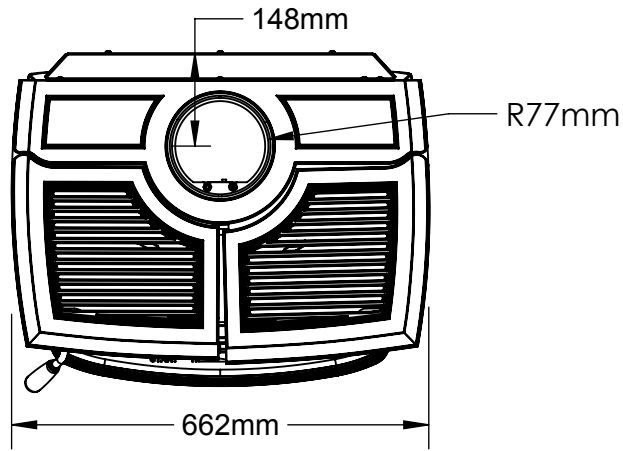



OPTION 2: FOR INTAKE THROUGH BOTTOM

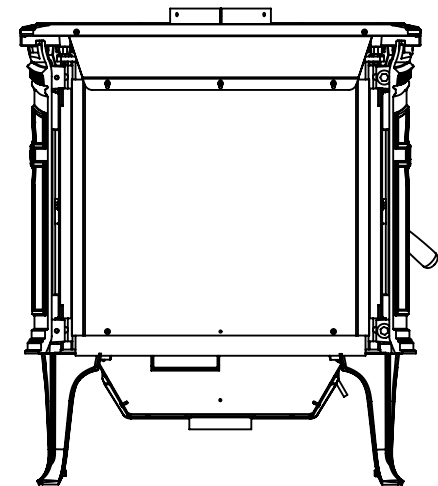
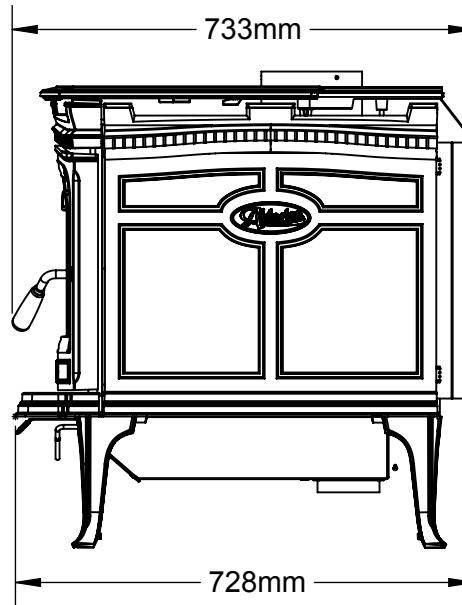
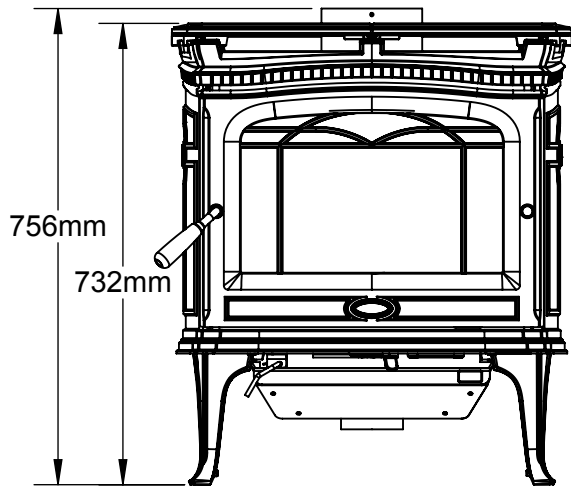
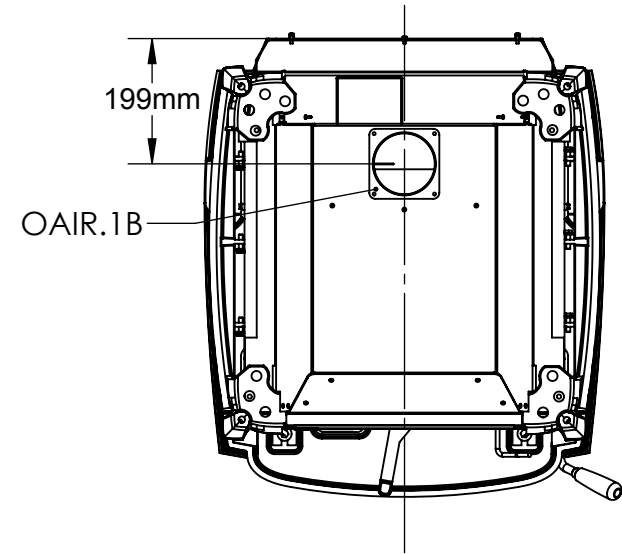
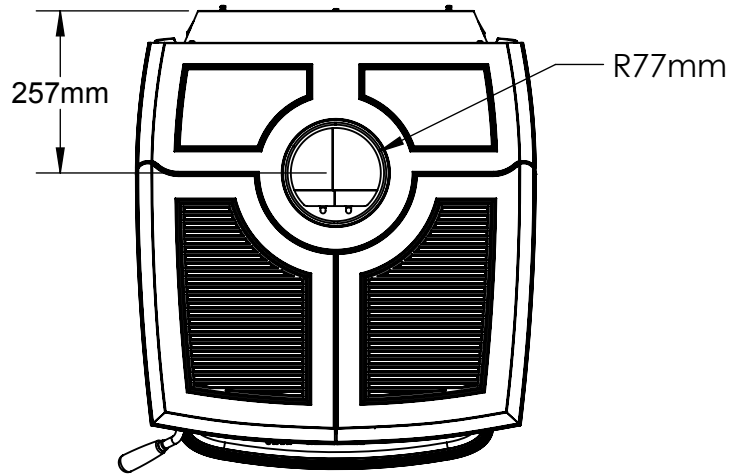



OPTION 1: FOR INTAKE THROUGH REAR

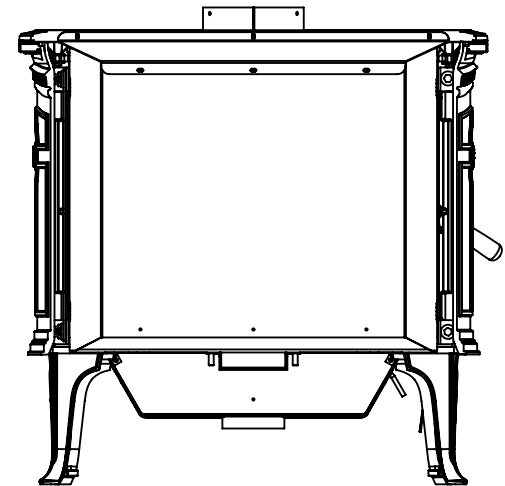
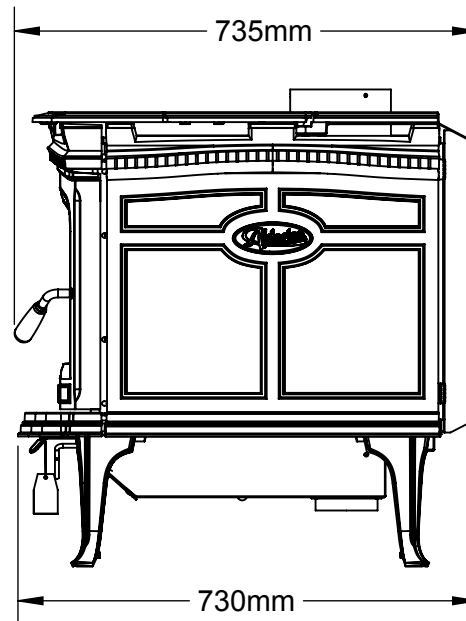
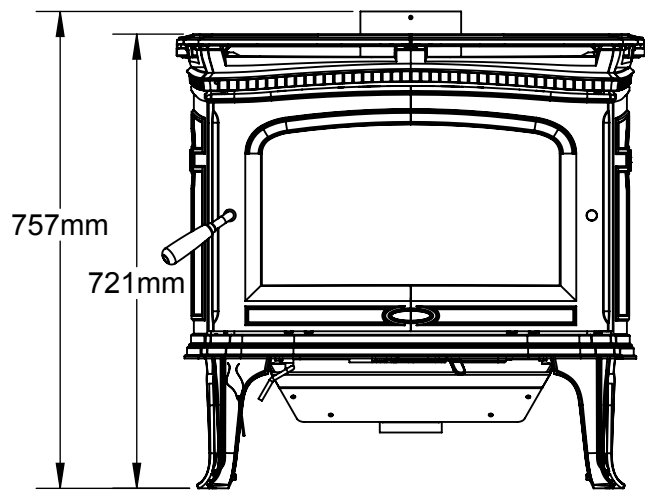
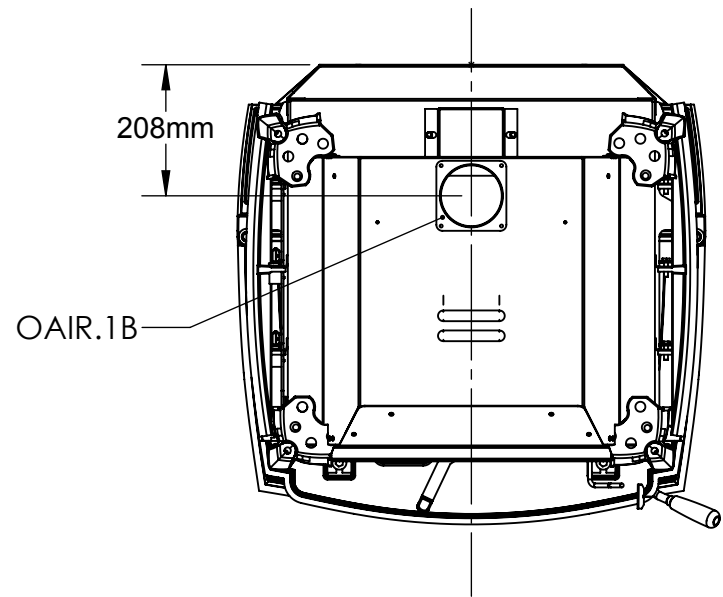
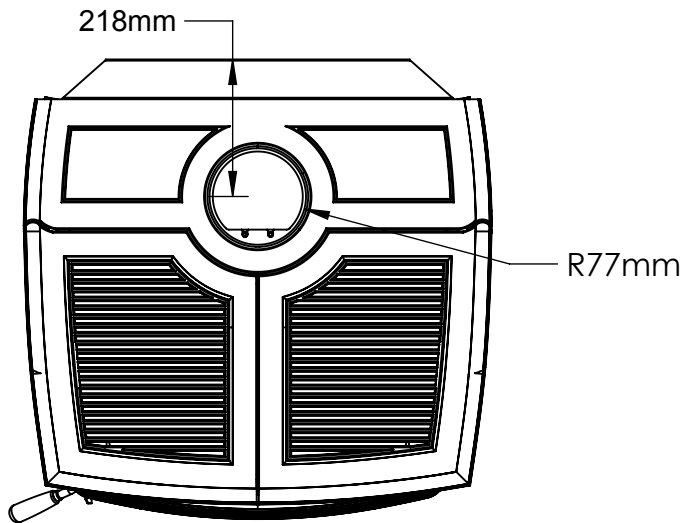
<b>PROPRIETARY</b> NO PART OF THIS DOCUMENT MAY BE REPRODUCED OR STORED IN ANY RETRIEVAL SYSTEM, OR TRANSMITTED IN ANY FORM WITHOUT WRITTEN PERMISSION OF PACIFIC ENERGY FIREPLACE PRODUCTS LTD.	DR'N:	SCALE:	APP'D:	 2975 Allenby Rd Duncan, BC Canada Tel: 1.250.748.1184 Fax: 1.250.748.0844 <small>PACIFIC ENERGY FIREPLACE PRODUCTS LTD.</small>
	DATE:	1:12		
ASSEMBLY NO. <b>SUMB.BODY</b>		REV:		
DESCRIPTION: <b>SUMMIT FREESTANDING (PEDESTAL)</b>				




<b>PROPRIETARY</b> NO PART OF THIS DOCUMENT MAY BE REPRODUCED OR STORED IN ANY RETRIEVAL SYSTEM, OR TRANSMITTED IN ANY FORM WITHOUT WRITTEN PERMISSION OF PACIFIC ENERGY FIREPLACE PRODUCTS LTD.	DR'N:	SCALE:	APP'D:	 2975 Allenby Rd Duncan, BC Canada Tel: 1.250.748.1184 Fax: 1.250.748.0844 <small>PACIFIC ENERGY FIREPLACE PRODUCTS LTD.</small>
	DATE:	1:12		
ASSEMBLY NO. <b>ALT4.PBODY</b>			REV:	
DESCRIPTION: <b>ALDERLEA T4</b>				



<b>PROPRIETARY</b> NO PART OF THIS DOCUMENT MAY BE REPRODUCED OR STORED IN ANY RETRIEVAL SYSTEM, OR TRANSMITTED IN ANY FORM WITHOUT WRITTEN PERMISSION OF PACIFIC ENERGY FIREPLACE PRODUCTS LTD.	DR'N:	SCALE:	APP'D:	 2975 Allenby Rd Duncan, BC Canada Tel: 1.250.748.1184 Fax: 1.250.748.0844 <small>PACIFIC ENERGY FIREPLACE PRODUCTS LTD.</small>
	DATE:	1:12		
ASSEMBLY NO. <b>ALT5.BODYL</b>			REV:	
DESCRIPTION: <b>ALDERLEA T5</b>				



<b>PROPRIETARY</b> NO PART OF THIS DOCUMENT MAY BE REPRODUCED OR STORED IN ANY RETRIEVAL SYSTEM, OR TRANSMITTED IN ANY FORM WITHOUT WRITTEN PERMISSION OF PACIFIC ENERGY FIREPLACE PRODUCTS LTD.	DR'N:	SCALE:	APP'D:	 2975 Allenby Rd Duncan, BC Canada Tel: 1.250.748.1184 Fax: 1.250.748.0844 <small>PACIFIC ENERGY FIREPLACE PRODUCTS LTD.</small>
	DATE:	1:12		
ASSEMBLY NO. <b>ALT6.BODYL</b>		REV:		
DESCRIPTION: ALDERLEA T6				