

IMPORTANT:
KEEP THESE INSTRUCTIONS FOR FUTURE
REFERENCE

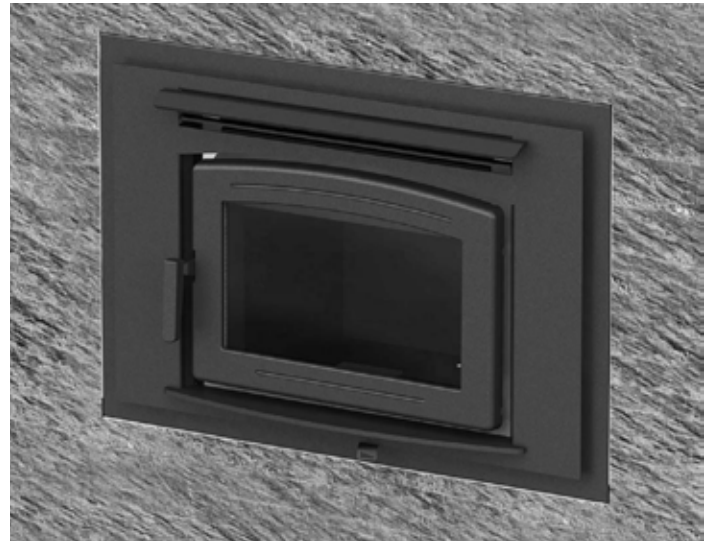
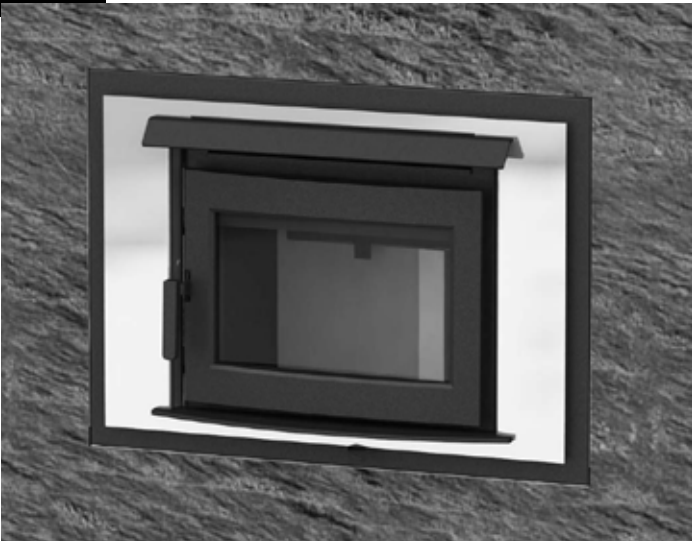


FP25LE

INSTALLATION AND OPERATING INSTRUCTIONS - AUSTRALIA

AUSTRALIA

SERIAL #



SAFETY NOTICE

If this stove is not properly installed, a house fire may result. For your safety, follow the installation instructions. Contact local building or fire officials about restrictions and installation inspection requirements in your area.

MODEL: FP25LE, FP25LE ARCH

Contents

Contents

General Safety	3
Maintenance Checks.....	4
Weekly:	4
Monthly:	4
When Cleaning the Chimney System:	4
Creosote	5
Formation and Need for Removal	5
Avoiding a Chimney Fire.....	5
In the event of a Chimney Fire	5
Operation	6
Wood Selection.....	6
Lighting the Fire.....	6
Curing of the New Paint Finish.....	6
Normal Operation.....	7
Restarting after Overnight Burn.....	7
Dimensions.....	8
Minimum Clearances	8
Fireplace Installation.....	9
Chimney Installation.....	11
Chimney and Connector.....	11
Room Seal Flue Kit.....	12
Combustion Air	13
Blower Operation.....	14
Floor Protection.....	15
Finishing The Chase	16
Mantel and Finishing Clearances	17
Firebrick Installation.....	18
Cleaning/Maintenance.....	19
Ash Removal.....	19
Disposal of Ashes.....	19
Baffle Assembly Removal	19
Chimney Liner	19
Blower Maintenance	19
Blower Replacement.....	20
Option: Remote Heat Duct Kit Installation	21
Heat Duct Replacement Parts.....	22
Troubleshooting.....	27
Parts List	28
Rating Label	29

WE STRONGLY RECOMMEND THAT SMOKE and CARBON MONOXIDE DETECTORS BE INSTALLED IN THE ROOM WHERE THE UNIT IS INSTALLED.

SAFETY NOTICE:
If this stove is not properly installed, a house fire may result. For your safety, follow the installation instructions. Contact local building or fire officials about restrictions and installation inspection requirements in your area.

Please read this entire manual before you install and use your new room heater. Failure to follow instructions may result in property damage, bodily injury, or even death.

General Safety

1. Burn wood only, dry and well seasoned. The denser or heavier the wood when dry, the greater its heat value. This is why hardwoods are generally preferred. Green or wet wood will cause a rapid buildup of creosote. Do not attempt to burn overnight using green or wet wood. Wet wood can cause up to 25% drop in heater output, as well as contributing significantly to creosote buildup.
 2. Remove excess ashes as needed. Excessive ash level could cause embers to roll out the door and create a fire hazard. Maintain a 25mm minimum ash base to support proper burning.
 3. If glass becomes darkened from slow burning or poor wood, it can readily be cleaned with any fireplace ceramic glass cleaner when stove is cold. Never scrape with an object that might scratch the glass. The type and amount of deposit on the glass is a good indication of flue pipe and chimney buildup. A light brown, dusty deposit that is easily wiped off usually indicates good combustion and dry, well-seasoned wood and, therefore, relatively clean pipes and chimney. On the other hand, a black, greasy deposit that is difficult to remove is a result of wet or green wood and too slow a burning rate. This will also create heavy deposit build-up in the chimney.
 4. DOOR GASKET - The gasket used by Pacific Energy (22mm medium density fiberglass rope) requires only light pressure to seal. This will prolong seal life. It is important that the door seal be maintained in good condition. Periodically inspect seals and replace if necessary.
 5. DOOR GLASS - Do not slam loading door or otherwise impact glass. When closing the door, make sure that no logs protrude to contact the glass. If the glass gets cracked or broken, **it must be replaced before using the stove.** Replacement glass can be obtained from your Dealer. **Use only Ceramic glass. Do not substitute with any other type.**
- GLASS SIZE: 450mm x 260mm x 5 mm thick.
- To remove broken glass, remove the door gasket, undo the eight retaining screws and remove the gasket/glass retainers, noting position for re-assembly. Remove all particles of glass. Be careful, as they are very sharp. Install new glass complete with gasket. Replace gasket/glass retainers, screws and door gasket. (Replace door gasket if needed)
6. Do not store wood within heater installation clearances, or within the space required for fuel loading and ash removal. Keep the area around the heater clean and free of all combustibles, furniture, newspapers, etc.
 7. If the heater requires cleaning, use mild soap and water only. Use of abrasive cleaners will void warranty.
 8. Establish a routine for the fuel, wood burning and firing technique. Check daily for creosote buildup until experience shows how often you need to clean to be safe.
 9. Be aware that the hotter the fire, the less creosote is deposited. Weekly cleaning may be necessary in mild weather, even though monthly cleaning is usually enough in the coldest months when burning rates are higher.
 10. Instruct all members of your family on the safe operation of the heater. Ensure they have enough knowledge of the entire system if they are expected to operate it. Stress the section on chimney fires and the importance of following the steps outlined in "In Case of Chimney Fire".

WARNING:

Never use chemicals or any other volatile liquid to start a fire. Do not burn garbage, or flammable fluids such as gasoline, naphtha, or engine oil. We strongly recommend that smoke detectors be installed.

WARNING:

Only use materials supplied by the manufacturer when doing maintenance or replacements.

CAUTION

- Tighten screws very carefully. Do not overtighten
- Do not clean glass when hot
- Do not use abrasive cleaners on glass



Maintenance Checks

Check the following parts for damage such as cracks, excessive corrosion, burned out sections and excessive warping:
(See website for descriptions and more detail)

Weekly:

- Firebrick - Visual, for cracking.
- Door Gasket - sagging, placement, damage.

Monthly:

- Brick rail tabs and brick rails.
- Air riser tube in the back of the firebox.
- Back side of airwash chamber.
- Baffle locking pin.
- Boost tube cover.

When Cleaning the Chimney System:

- Top baffle board/blanket.
- Baffle.
- Top heat shield and mounting bolt.
- Baffle Gasket.
- Brick Rails.
- Manifold.

** - Some warping of the baffle is normal (up to 1 cm).

- Replace if the baffle has permanent warping greater than this or has cracking or breakage.
- Please contact your Dealer if you experience any of the damage listed above. Continuing to operate your stove with broken parts may accelerate damage to other parts and may void your warranty

Creosote

Formation and Need for Removal

When wood is burned slowly, it produces tar and other organic vapours, which combine with expelled moisture to form creosote. The creosote vapours condense in the relatively cool chimney flue of a slow burning fire. As a result, creosote residue accumulates on the flue lining. When ignited, this creosote makes an extremely hot fire. The chimney connector and chimney should be inspected at least once every two months during the heating season to determine if a creosote buildup has occurred. If creosote has accumulated, it should be removed to reduce the risk of a chimney fire.

1. Highest smoke levels and densities occur when a large amount of wood is added to a bed of hot coals and the air inlet is closed. The heated wood generates smoke, but without ample air, the smoke cannot burn. Smoke-free, clean burning requires small fuel loads, two or three logs at a time or 1/4 to 1/2 of a fuel load and leaving the air inlet relatively wide open, especially during the first 10 to 30 minutes after each loading, when most of the smoke generating reactions are occurring. After 30 minutes or so, the air inlet can be turned down substantially without excessive smoke generation. Wood coals create very little creosote-producing smoke.

2. The cooler the surface over which wood smoke is passing, the more creosote will be condensed. Wet or green wood contributes significantly to creosote formation as the excess moisture that is boiled off cools the fire, making it difficult for the tars and gasses to ignite, thus creating dense smoke and poor combustion. This moisture-laden smoke cools the chimney, compounding the problem by offering the smoke the ideal place to condense.

In summary, a certain amount of creosote is inevitable and must be lived with. Regular inspection and cleaning is the solution. The use of dry, seasoned wood and ample combustion air will help to minimize the buildup.

Avoiding a Chimney Fire

Excessive creosote build-up can cause a chimney fire. During a fire the inside temperatures in a chimney can exceed 1100 degrees C. This causes much higher than normal temperatures in the chimney and on its exterior surfaces thus ignition of nearby or touching combustible material is more likely during a chimney fire.

Signs of a chimney fire may be one or more of the following:

- Flames and sparks shooting out of the top of the chimney
- A roaring sound
- Vibration of the chimney

1. Keep your chimney clear of creosote build-up by cleaning your chimney before each burn season, and as necessary (accumulations of 3 mm or more) during the season.
2. Burn clean, well-seasoned wood only (seasoned at least one year). Avoid wet or green wood.
3. Do not use the heater as an incinerator or over-fire as it may ignite chimney fires. These are hot fires, such as when burning household trash, cardboard, Christmas tree limbs, or even ordinary fuel wood; (eg. with a full load on a hot bed of coals and with the air inlet wide open)

In the event of a Chimney Fire

1. Prepare to evacuate to ensure everyone's safety. Have a place outside where everyone is to meet.
2. Close down the damper on stove.
3. Call local fire department. Have a fire extinguisher handy. Contact your local fire authority for further information on how to handle a chimney fire. It is most important that you have a clearly understood plan on how to handle a chimney fire.
4. After the chimney fire is out, the chimney must be cleaned and checked for stress and cracking before starting another fire. Also check combustibles around chimney and the roof. This should be done by a certified inspector/chimney sweep.

Operation

WARNING: No alteration or modification of the combustion air control assembly is permitted. Any tampering will void warranty and could be very hazardous.

Do not store/place wood or other combustibles within the required clearances surrounding the unit.

WARNING: Never use gasoline, gasoline-type lantern fuel, kerosene, charcoal lighter fluid, or similar liquids to start or 'freshen up' a fire in this heater. Keep all such liquids well away from the heater while in use.

WARNING: Do not use grates or andirons to elevate the fuel. Burn directly on the firebricks. Replace broken or missing bricks. Failure to do so may create a hazardous condition.

Wood Selection

This heater is designed to burn natural wood only. Higher efficiency and lower emissions generally result when burning air-dried seasoned hardwoods, as compared to softwoods or too green or freshly cut hardwoods. Wood should be properly air dried (seasoned) for six months or more. Wet or undried wood will cause the fire to smoulder and produce large amounts of creosote. Wet wood also produces very little heat and tends to go out often.

DO NOT BURN:

- Salt water wood
- Treated wood
- Wet or Green wood
- Coal/charcoal
- *Garbage/Plastics
- Solvents

* These materials contain chlorides which will rapidly destroy metal surfaces and void warranty.

Do not burn anything but wood. Other fuel, e.g. charcoal, can produce large amounts of carbon monoxide, a tasteless, odourless gas that can kill. Under no circumstances should you attempt to barbecue in this heater.

How to Test Your Wood

Add a large piece of wood to the stove when it has a good, large bed of coals. It is dry if it is burning on more than one side within one minute. It is damp if it turns black and lights within three minutes. If it sizzles, hisses and blackens without igniting in five minutes it is soaked and should not be burnt.

Lighting the Fire

- 1) Adjust air control, located under the Ash Shelf, to "H" (high) position (pushed to the far left) and open door.
- 2) Place crumpled newspaper in the centre of the heater and criss-cross with several pieces of dry kindling. Add a few small pieces of dry wood on top.
- 3) Ignite the paper and close the door.
- 4) After the fire has established itself, open the door and add a few small logs. Close door.
- 5) Begin normal operation after a good coal base exists and wood has charred.

Your Pacific Energy heater is designed for maximum overall efficiency at a moderate firing rate. Over firing is hazardous and a waste of fuel. Too slow a burn contributes to creosote buildup and lowers combustion efficiency.

Curing of the New Paint Finish

When burning your stove for the first 2-3 times it is very important that the room be well ventilated. Open all windows and doors. Smoke and fumes caused by the curing process may cause discomfort to some individuals.

Normal Operation

- 1) To refuel, adjust air control to “H” (high) position (pushed to the far left) and give the fire time to brighten. Open door slowly, this will prevent smoke from rolling out.
- 2) Use wood of different shape, diameter and length (up to 450mm”). Load your wood endwise and try to place the logs so that air can flow between them. Always use dry wood.
- 3) Do not load fuel to a height or in such a manner that would be hazardous when opening the door..
- 4) Set air control to desired setting. If smoke pours down across the glass (waterfall effect), this indicates you have shut the control down too soon or you are using too low a setting. As every home’s heating needs vary (i.e. insulation, windows, climate, etc.), the proper setting can only be found by trial and error and should be noted for future burns.
- 5) For extended or overnight burns, unsplit logs are preferred. Remember to char the wood completely on “H” (high) setting before adjusting air control for overnight burn.

Experience will give you the right settings for proper combustion and efficient burning. Remember, the air inlet setting is affected by variables such as type of wood, outside temperature, chimney size and weather conditions. With practice, you will become proficient in operating your heater and will obtain the performance for which it was designed.

Restarting after Overnight Burn

- 1) Open door and rake hot embers towards the front of the heater. Add a couple of dry, split logs on top of embers, close door.
- 2) Adjust air control to “H” (high) position (pushed to the far left) and in just a few minutes, logs should begin burning.
- 3) After wood has charred, reset air control to desired setting.
- 4) When burning at a slow rate for extended periods, occasionally maintain a strong fire under supervision for a couple of hours to remove firebox and chimney deposits as well as any of the deposits on the glass.

Proper Draft

- 1) Draft is the force which moves air from the appliance up through the chimney. The amount of draft in your chimney depends on the length of the chimney, local geography, nearby obstructions and other factors.
- 2) Too much draft may cause excessive temperatures in the appliance. An uncontrollable burn or a glowing red stove part or chimney indicates excessive draft.
- 3) Inadequate draft may cause back puffing into the room and plugging of the chimney. Smoke leaking into the room through appliance and chimney connector joints indicates inadequate draft.

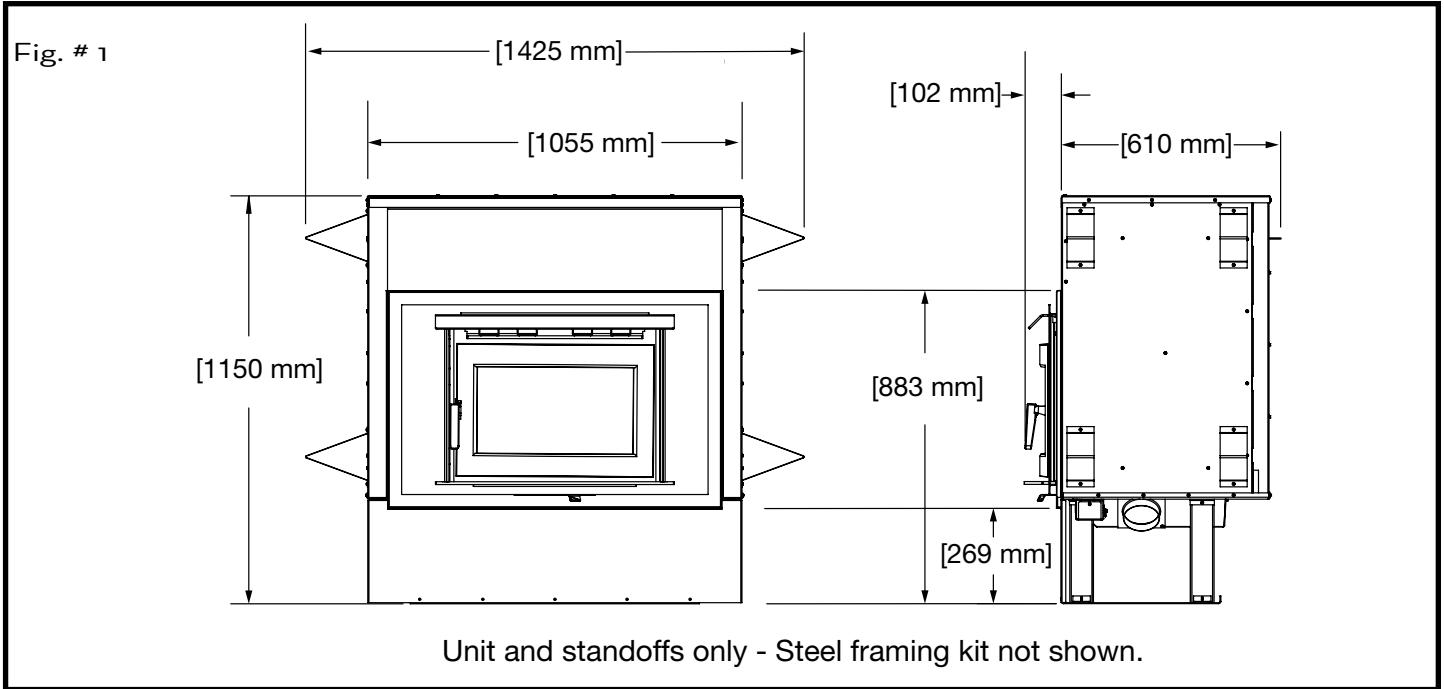
WARNING: Always keep loading door closed when burning, except as instructed during start-up. This heater is not designed for open door burning

DO NOT OVER FIRE THIS HEATER: Attempts to achieve heat output rates that exceed heater design specifications can result in permanent damage to the heater and chimney.

WARNING: No alteration or modification of the combustion air control assembly is permitted. Any tampering will void warranty and could be very hazardous.

CAUTION: Unit hot while in operation. Parts of the appliance, especially the external surfaces, will be hot to touch when in operation. Keep children, clothing and furniture away. Contact may cause skins burns.

Dimensions

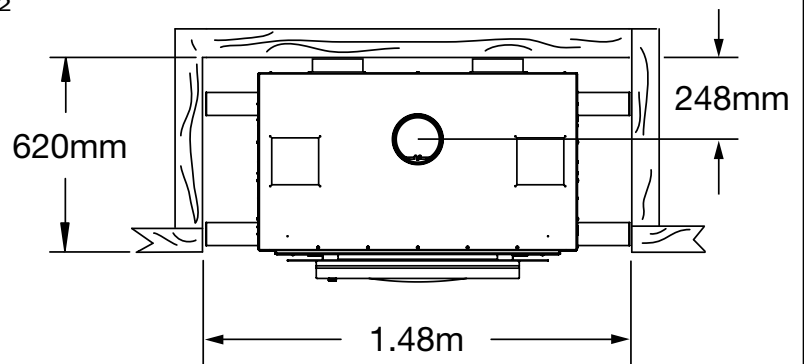


Minimum Clearances

Fireplace Clearances and Dimensions	
Distance to combustible material from the side/back standoffs and framing kit.	0mm
Ceiling clearance - both in the chase and in the room: from the base of the fireplace to the ceiling.	2.13m
Minimum distance of adjacent wall to side of fireplace door.	560mm
Minimum distance to (Max) 1.22m deep side facing from fireplace door opening.	292mm
Minimum width of floor protection from side of door opening.	200mm
Minimum depth of non-combustible ember protector from the front of the fireplace.	500mm
Minimum chimney height: minimum total chimney height from fireplace bottom to below the chimney rain cap.	4.6m
Recommended maximum chimney height (at sea level) from top of fireplace to rain cap.	10.7m
Maximum unsupported chimney height.	6.1m

Fireplace Installation

Fig. # 2



NOTE: The framing dimensions shown are the minimums. Framing dimensions will need to be adjusted accordingly to accept plasterboard if used inside enclosure.

The top front framing must be installed as shown, Fig. # 3 with no wood framing directly in front of the chimney system

WARNING: The fireplace must not be in contact with any insulation or loose filling material. If you are insulating the chase, cover the insulation with plasterboard or non-combustible panels. Maintain all proper clearances.

WARNING: Plasterboard materials are considered combustible and their thickness must be accounted for in your framing dimensions.

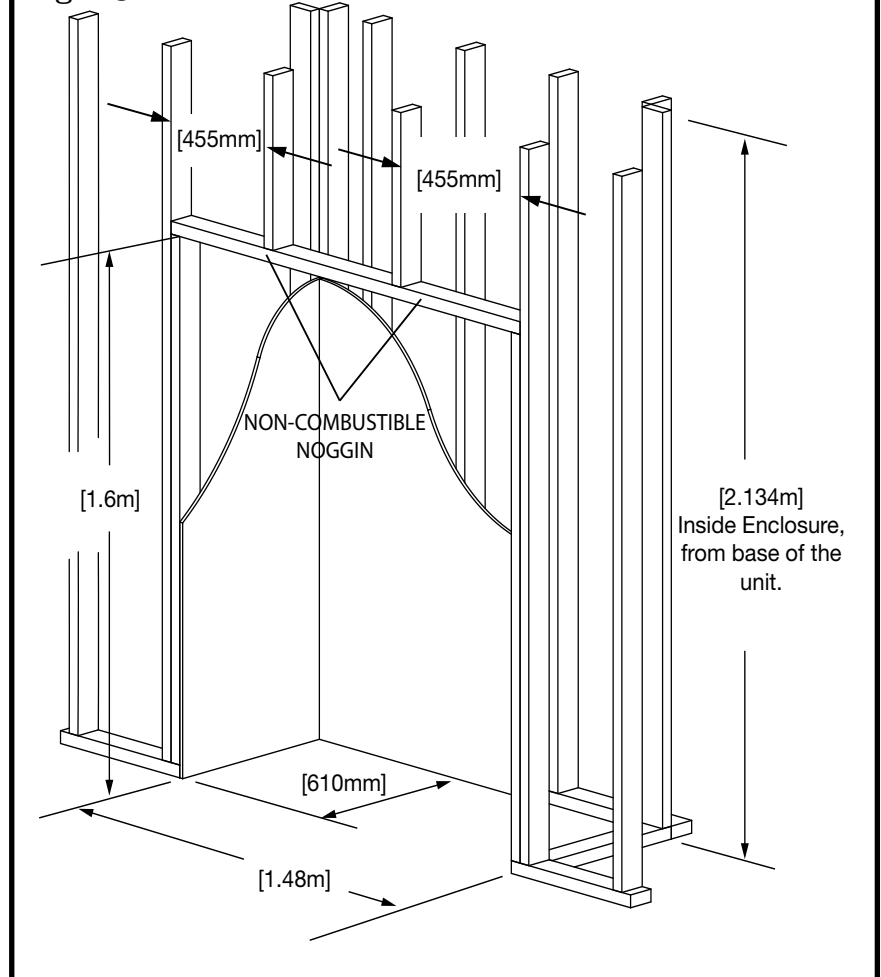
The open volume inside the chase is required for heat management. Do Not build a recess, shelves or cupboards in the area above this fireplace. Do not build anything inside this Minimum chase area.

Do Not insulate the front portion of the chase above the unit.

The combustible enclosure must have 2 vents, each vent must be 100 high x 200mm wide (20,000mm² each vent). The bottom vent must be 50mm above the floor, the top vent must be 85mm below the ceiling. and they must be made of a heat resistant material.

A minimum 590mm deep x 1057mm wide x 6mm thick floor protector (compressed board) should be used under the appliance base when installing the appliance (see joint AS/NZS 2918:2018 3.3.2). The Thermal resistivity of the floor protector is 0.026m²·K/W for 6mm thick compressed cement sheets.

Fig. # 3

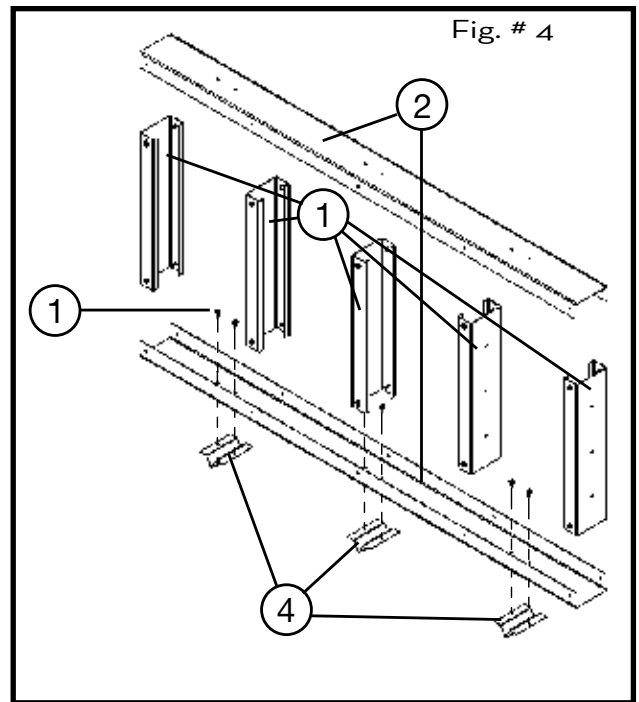


Each Kit Contains:

Item	Part #	Description	Qty.
1	5049.9912	SCREW, TEKS #8 x 1/2"(13mm)	Pkg 40
2	7746	STUD, TOP/BOTTOM 56"(1.42m)L	2
3	9093.22	STUD, CNTR SUPPORT SIDES, 15"(381mm)L	5
4	7747	FRAMING KIT LEG 3 1/2"(89mm)L	3

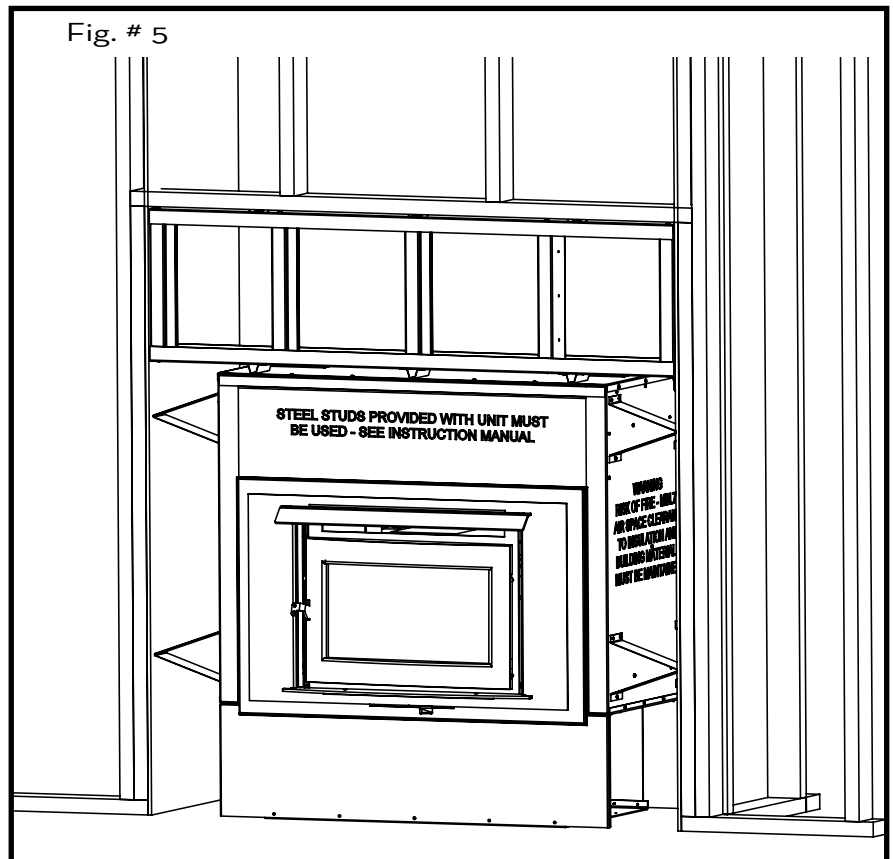
ASSEMBLY

- Lay out top/bottom studs (#2) and center studs (#3) on their sides on a large flat surface.
- Using the screws provided (1), attach the framing kit legs(4) to the bottom stud (2).
- Next, attach each center support(3) to the bottom stud(2) and then attach the top stud(2) to the center supports(3).



INSTALLING THE UNIT INTO THE CHASE

- Push the Fireplace into place (Casing must be flush with the framing in the front) and secure if required by local code.
- Place the Steel Framing Kit on top of the unit with the legs down Figure 5. Ensure the front edge is flush with the Fireplace and with the chase framing. It is very important to provide a flat surface to attach the outer non-combustible board to.
- Attach the Framing kit securely to the chase's framing using appropriate fasteners.

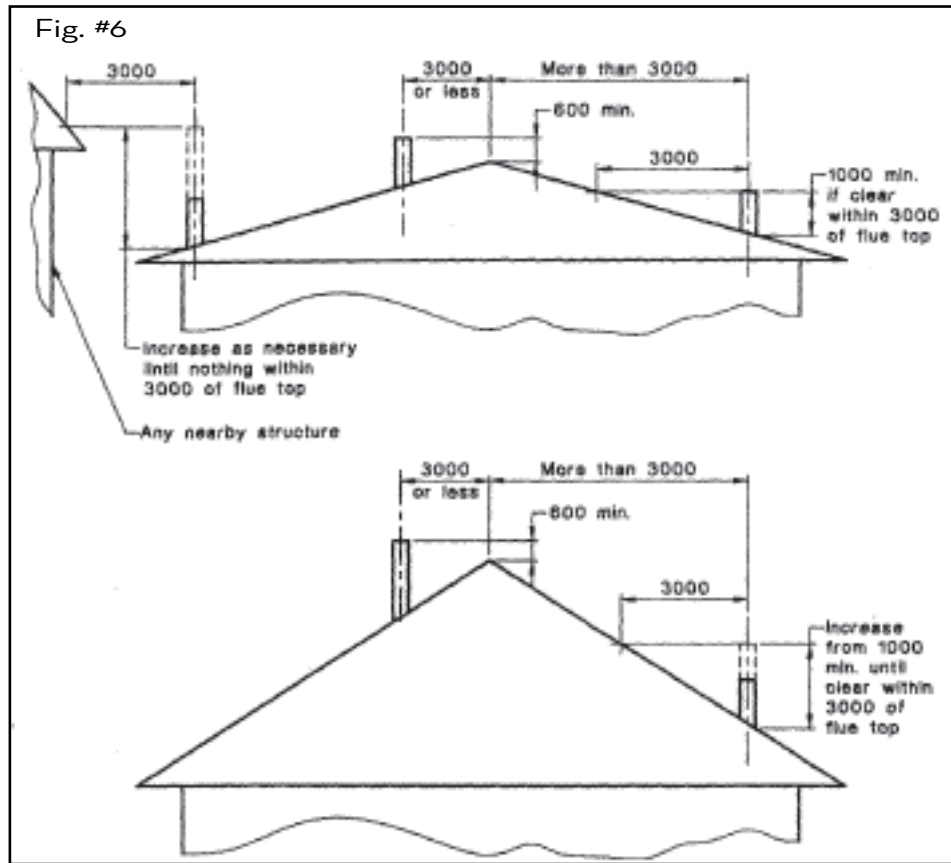


Chimney Installation

Chimney and Connector

WARNING: INSTALL CHIMNEY AND ALL COMPONENTS OF CHIMNEY SYSTEM ACCORDING TO CHIMNEY MANUFACTURER'S INSTRUCTIONS.

Connect to a listed chimney complying with the requirements of AS/NZS2918/2001 and a chimney suitable for use with solid fuel that is lined and in good condition and meets local building codes. The chimney flue size should be the same as the stove outlet for optimal performance. Reducing or increasing the flue size may adversely affect stove performance. Chimney flue exit is to be minimum 1000mm above roof and 600mm above highest projection within 3000mm. The installation must meet all local codes. Do not connect this unit to a chimney flue serving another appliance. Minimum system height is 4600mm (measured from base of appliance).



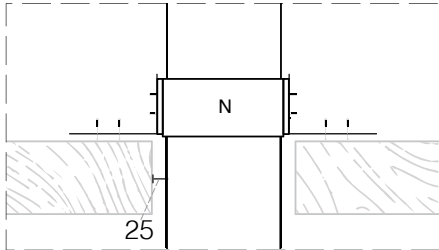
Room Seal Flue Kit

Insulated Room Sealed Flue Kit

Fully Sealed 4m Flue Kit

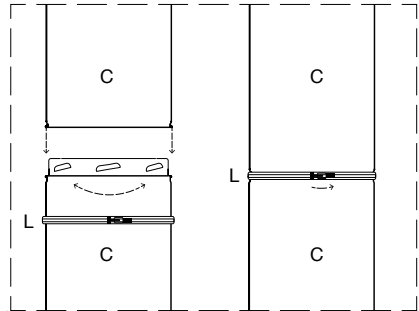
Painted Insulated RSF from the heater
Stainless Steel RSF outside the home

Optional Support Brace

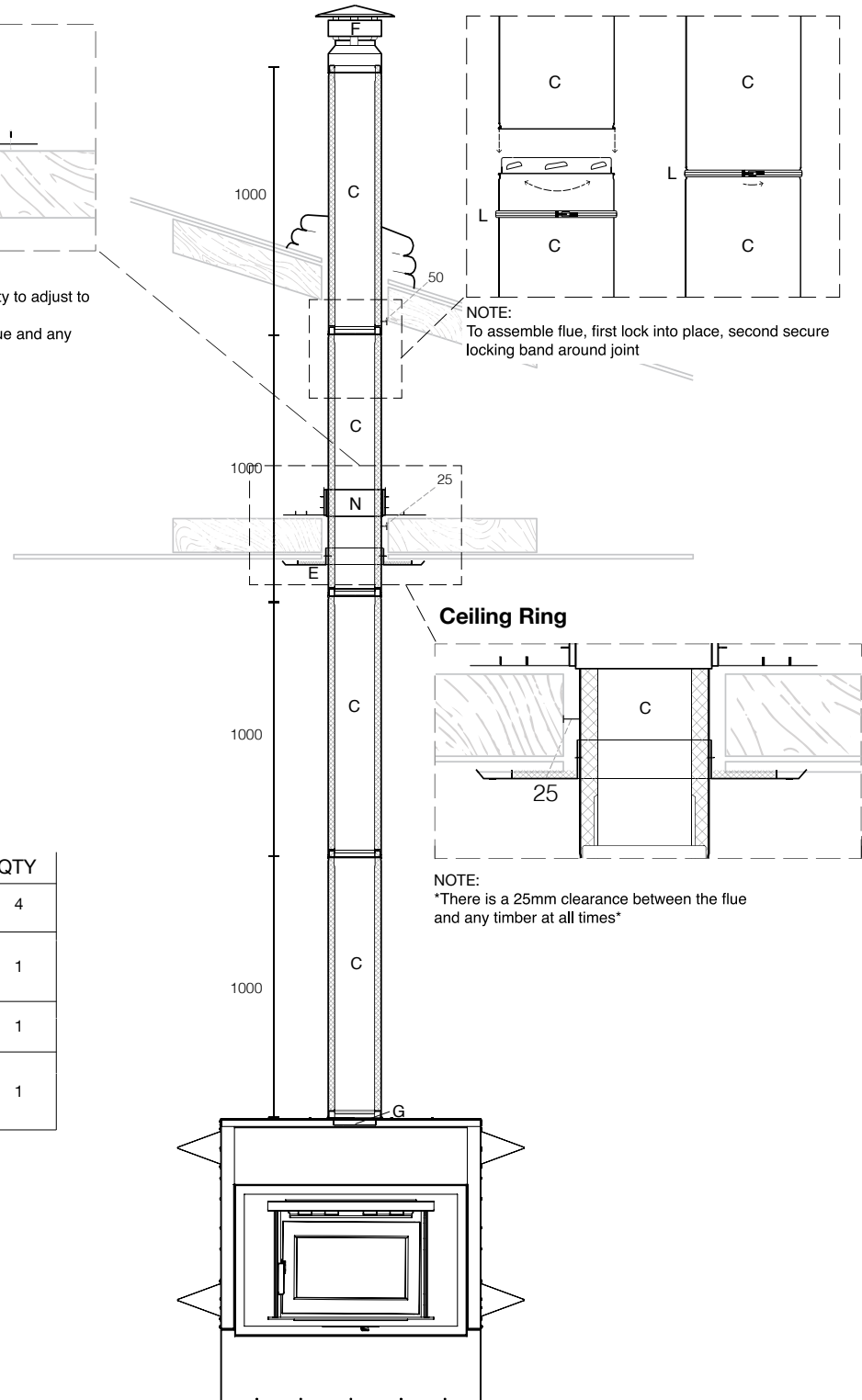


NOTE:
 The optional support brace (N) has the ability to adjust to any angle of adjacent roof beams
 There is a 25mm clearance between the flue and any timber at all times

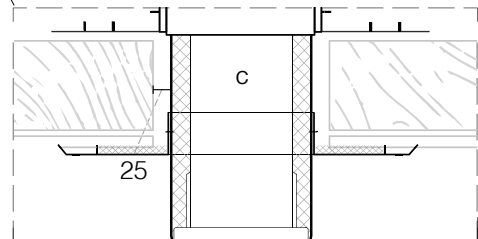
Flue Assembly



NOTE:
 To assemble flue, first lock into place, second secure locking band around joint



Ceiling Ring



NOTE:
 There is a 25mm clearance between the flue and any timber at all times

Fully Sealed Flue Kit

	Item	QTY
C	1000mm Room Sealed Flue (with Locking Band)	4
E	Ceiling Ring	1
F	Wind Cowl Stainless Steel	1
G	Room Sealed Flue Adapter	1

Combustion Air

Intake or combustion air can be supplied to the fireplace in one of two ways. Consult your local building codes before proceeding.

1. Outside Air Supply: WARNING: This must get its air from the outdoors and be finished with an approved vent cap. The use of outside combustion air for residential installations requires that the fireplace be secured to the structure to prevent dislodging of the air duct. Check local building codes for instructions on sealing the vent cap at the penetration point of the building. The combustion air inlet ducts can not terminate in an attic space or garage.

INSTALLATION:

Outside air may be drawn through either side or back of the unit by connecting 102mm rigid or flex pipe onto the outside air adapter opening provided on the either side of the combustion air box. The fireplace comes with the outside air adapter factory installed on the right side. You are able to switch this with the cover plate on the left side if required Figure 7. We recommend insulated flex when being installed in cold climates.

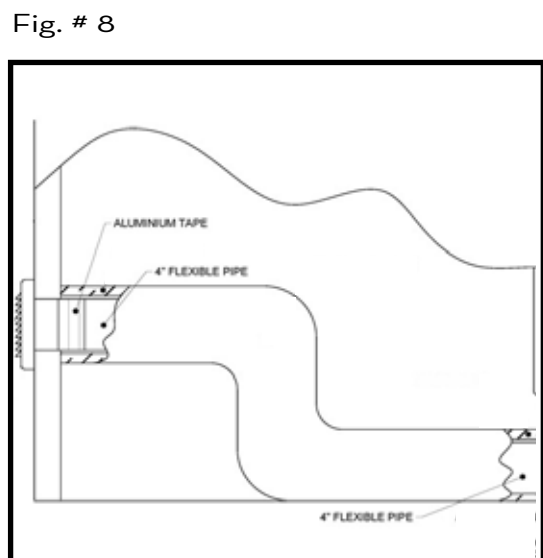
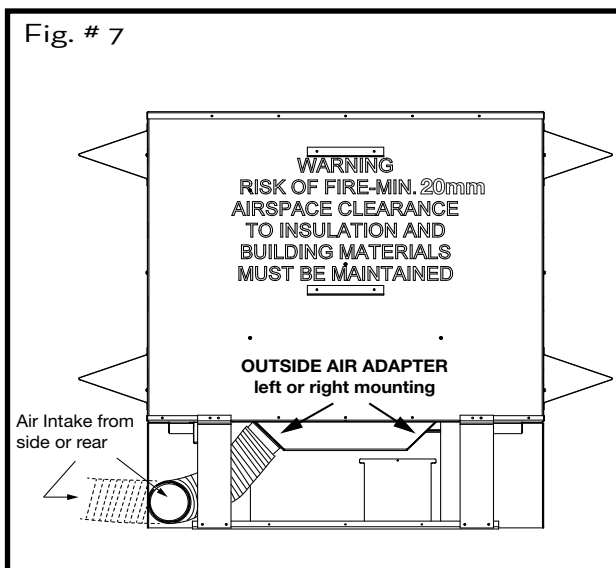
Use an approved 102mm inlet vent cap. Cut or drill a corresponding hole in the closest exterior wall or in the floor anywhere inside the chase. Cover the hole and install a 20GA wire mesh minimum, rodent screen and staple/nail in place. Provide water protection as required by building code. Attach 102mm flex pipe (not supplied) between the units adapter and the inlet vent. A typical outside air connection is shown in Figure 8.

2. Room Air Supply -The fireplace can draw its air from the room through a space between the surround panels or through air inlet ducts placed near the floor in the chase

CAUTION: The living space around the heater must be well ventilated with good air circulation. Anything that may cause a negative pressure can cause gases or fumes to be pulled into the living area. During extremely cold weather, and especially when burning at very slow rates, the upper parts of the exposed chimney may ice up, partially blocking the flue gases. If blockage occurs, flue gases may enter living space.

WARNING: This unit is not designed to be operated with the firing door open. In addition to the obvious hazard of sparks landing on combustibles, an open fire door will cause the heater to draw excess air from the living space and possibly cause suffocation.

WARNING: THE COMBUSTION AIR INLET MUST BE AT LEAST 1.5m BELOW CHIMNEY OUTLET AND MUST NEVER TERMINATE IN ATTIC SPACES.



Blower Operation

The FP25LE blowers must be connected to 240 VAC household electrical system. Connect the blower circuit to a wall switch or fan speed controller.(not supplied)

All electrical service should be performed by a certified/licensed electrician.

The FP25 comes equipped with a power cord. Plug the power cord into an approved outlet.

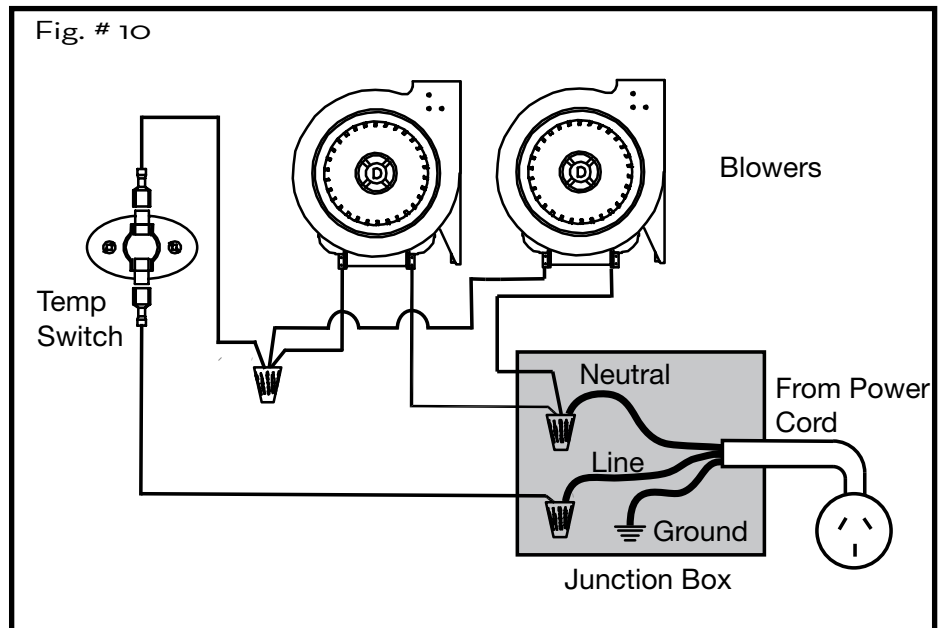
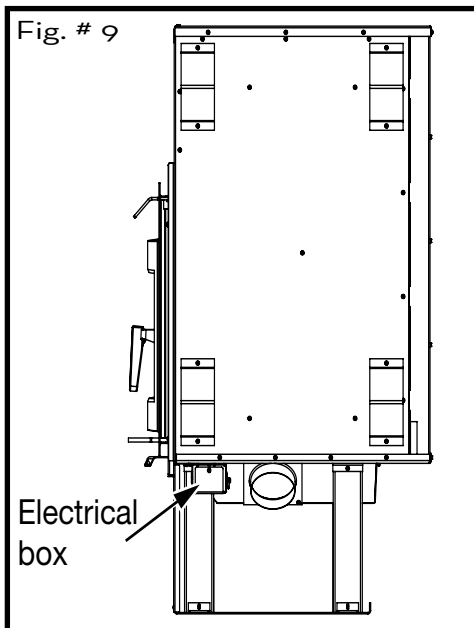
Electrical Supply

Circulating air blower electrical rating: 240V, 50 Hz. 1A.

For your protection against shock hazard, use only a properly grounded outlet that will accept a three-pronged plug. Do not cut or remove the grounding.

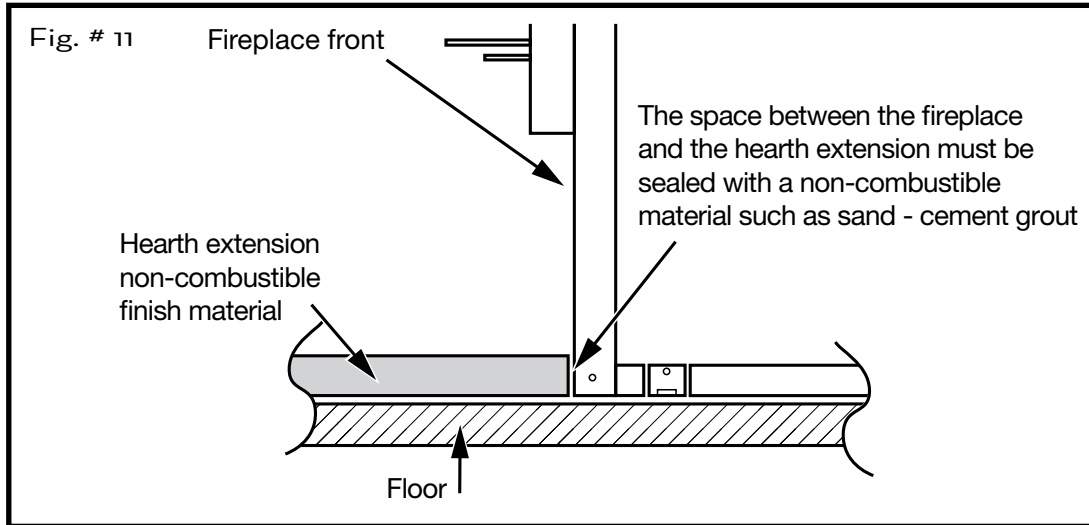
For your protection against shock hazard, use only a properly grounded outlet that will accept a grounded plug

All electrical connections to and within an appliance shall be in accordance with the requirements of AS/NZS 3000, AS/NZS 3100 or ER 93 and the regulatory authority as appropriate.



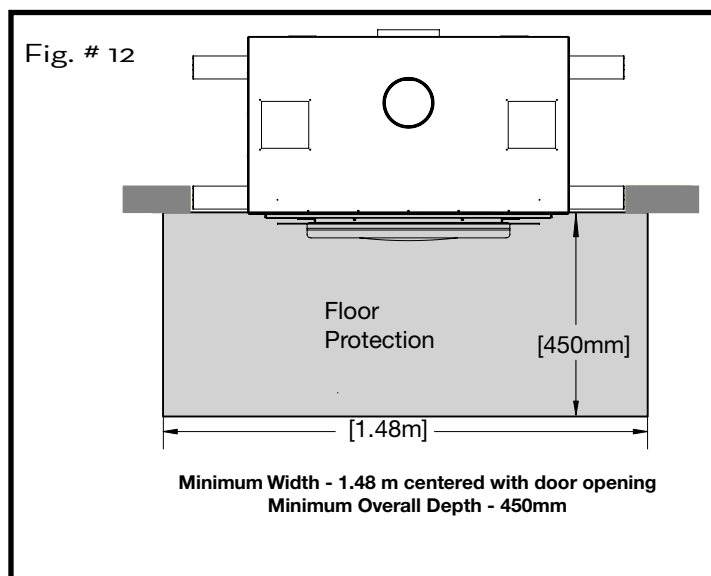
Floor Protection

A minimum 875 x 450mm x 6mm thick floor protector (compressed board) should be used in front of the enclosure base and be placed centrally in the 875mm width. The Thermal resistivity of the floor protector is 0.026m²·K/W for 6mm thick compressed cement sheets.



FLOOR PROTECTOR

This Fireplace requires Non-Combustible Ember Protection extending from face of the unit out in front of the Door. This can be tile, brick, slate, stone or metal. Minimum 20GA steel



Finishing The Chase

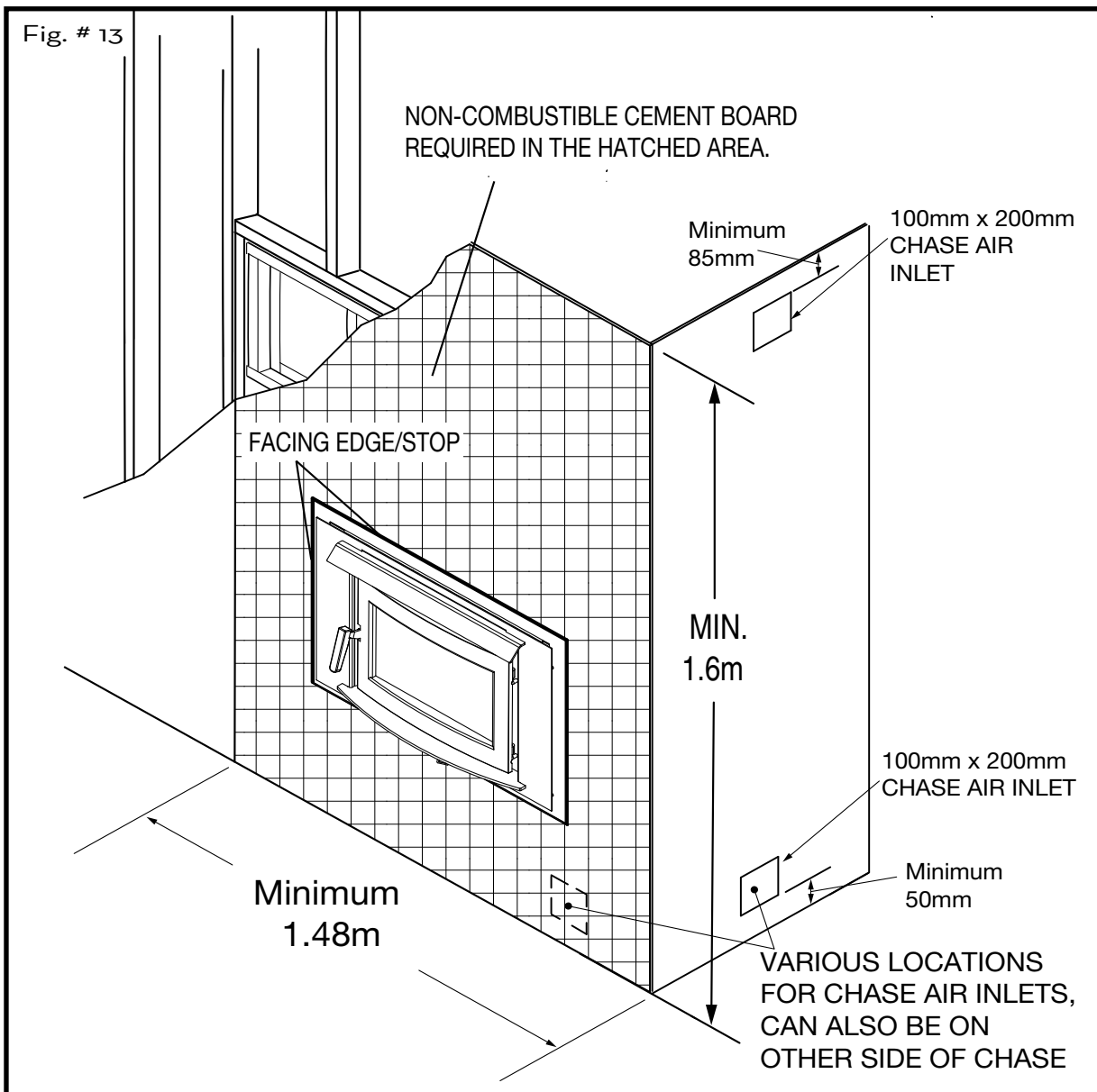
The front facing area of the FP25LE must be covered with non-combustible cement board prior to applying any **non-combustible finishing material**.

Use the Cement Board manufacturer's guidelines and suggested fasteners to attach the cement board to the unit and studs. Finish the joints as per the board manufacturer's recommendations.

The cement board must cover from the floor to a height of 1.6m from the bottom of the fireplace and 1.48m wide centered on the unit.

The front casing of the fireplace has a built in facing edge/stop. DO NOT PLACE ANY CEMENT BOARD OR FINISHING MATERIALS INSIDE THIS EDGE. Failure to comply may result in improper installation of panels, overheating of the fireplace and blowers and may not be covered under Warranty.

The combustible enclosure must have 2 vents, each vent must be 100 high x 200mm wide (20,000mm² each vent). The bottom vent must be 50mm above the floor, the top vent must be 85mm below the ceiling, and they must be made of a heat resistant material.

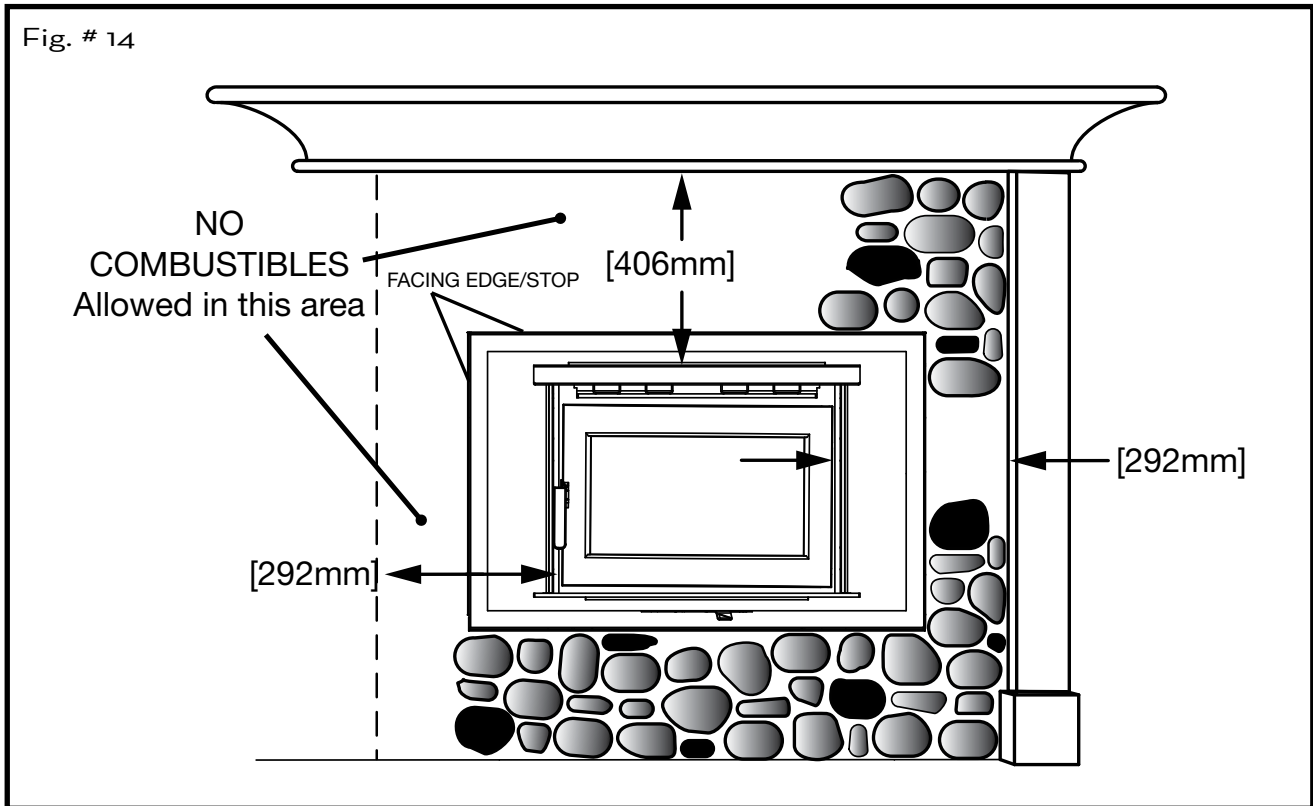


Mantel and Finishing Clearances

DO NOT place any facing materials inside the facing edge/stop. This will prevent proper airflow into the unit as well as preventing removal of the rear surround to service the blowers.

Only non combustible materials can be used in the area;

- Extending from the outer edge of the door out 11 1/2" [292mm],
- Under the door, down to the floor.
- Above the Heat Exchanger's air deflector up to a minimum of 16" [406mm].

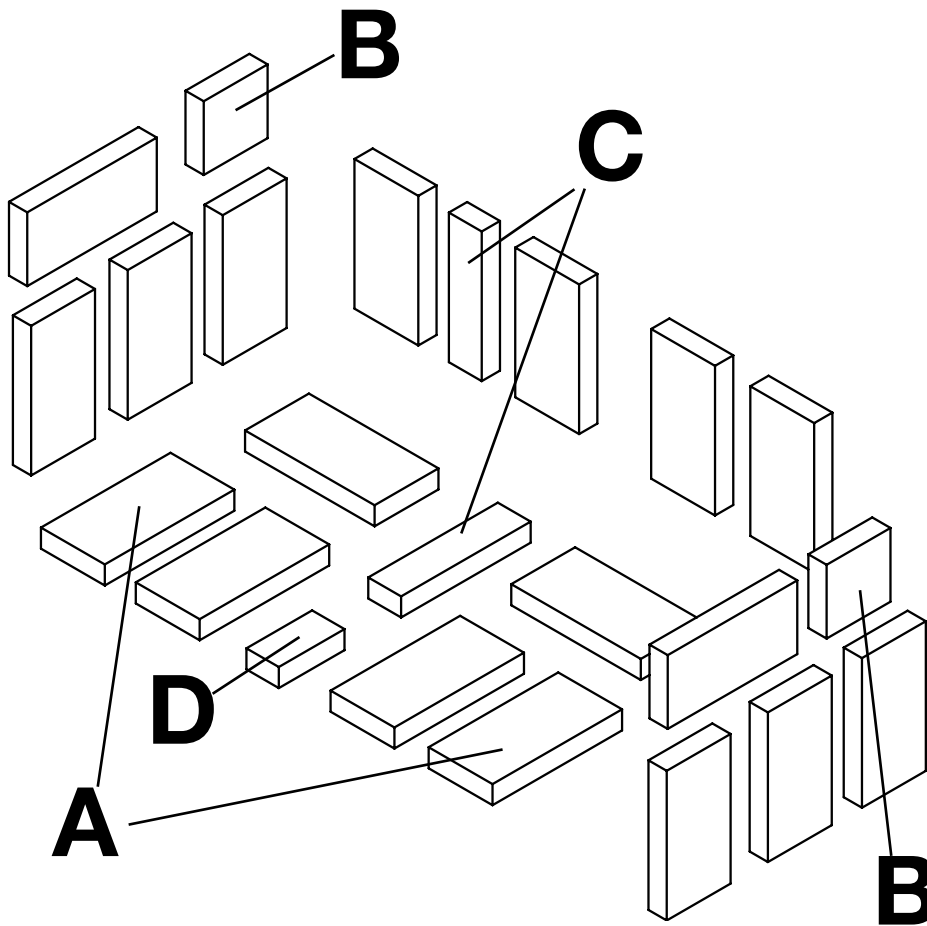


Mantel Clearances and Dimensions	
Minimum distance to the underside of the Mantel (max 305mm deep) from the top of the Heat Exchanger Air Deflector.	406mm
Minimum distance to the adjacent wall from the side of the fireplace door.	560mm
Minimum distance to the Mantel side facing (Max 102mm deep) from the side of the fireplace door.	292mm
Raised hearth must be completely constructed of non-combustible materials	
Minimum width of floor protection from side of door opening.	200mm
Minimum depth of non-combustible ember protector: from the front of the fireplace.	420mm

Firebrick Installation

This package contains 18 full-size firebricks, as well as 5 various cut-size bricks. With the heater in the upright position, install firebricks as follows:

- Place 6 full-size firebricks and bricks C & D on the bottom of the heater first in the pattern shown below.
- Next, install the rear firebricks, 4 full-size, two on each side of the baffle tube.
- Then place 1 brick C in the back left corner as shown below.
- Lastly, install 4 full-size firebricks and brick B as shown on each side of the firebox.



ITEM/ ARTICLE	DIMENSIONS	PART NUMBER
A 9" X 4 1/2" X 1 1/4"	(230 mm x 115 mm x 32 mm)	5096.99
B 4 1/2" X 4 1/2" X 1 1/4"	(115 mm x 115 mm x 32 mm)	7847
C 2 1/4" X 9" X 1 1/4"	(57 mm x 230 mm x 32 mm)	7847.3
D 2 1/4" X 4 1/2" X 1 1/4"	(57 mm x 115mm x 32 mm)	7847.1

Cleaning/Maintenance

Ash Removal

Whenever ashes get above 75mm deep in your firebox, and when the fire has burned down and cooled, remove excess ashes. Leave an ash bed approximately 30mm deep on the firebox bottom to help maintain a hot charcoal bed.

WARNING: DO NOT OPERATE WITH BAFFLE ASSEMBLY OR INSULATION REMOVED.

Disposal of Ashes

Ashes should be placed in a metal container with a tight fitting lid. The closed container of ashes should be placed on a non-combustible floor or on the ground, well away from all combustible materials, pending final disposal.

If the ashes are disposed of by burial in soil or otherwise locally dispersed, they should be retained in the closed container until all cinders have thoroughly cooled. Other waste should not be placed in this container!

Baffle Assembly Removal

Remove retaining pin at the back top of the firebox, just under the baffle. Lift baffle up slightly and lift one of the Side Brick Rails up off its retaining pins and remove the Rail. Lift the baffle up and pull forward to disconnect it from the supply tube. Tilt baffle sideways to drop down and remove from firebox.

Re-install baffle assembly and insulation by reversing the order.

Chimney Liner

It is recommended to inspect the liner and connector monthly and to have the liner cleaned annually or more frequently if required.

WARNING: DO NOT use a vacuum to clean above the baffle while installed. you may accidentally damage or remove the Ceramic Baffle Insulation.

Sweep/Clean chimney with baffle installed or be sure to plug the top of the baffle tube in the back of the firebox before sweeping or cleaning. Failure to prevent ash or soot from falling into the baffle tube will cause incorrect operation and will lead to premature burn out of the tube or baffle. The baffle should be removed from the fireplace to fully inspect the chimney liner.

WARNING: Cover the opening in the top of the rear upflow tube when cleaning the chimney liner. If debris gets into the tube it can cause the tube to prematurely burn out.

Blower Maintenance

The blower requires occasional cleaning to prevent buildup of dust and hair. More frequent cleaning may be required if conditions are dusty or pets are present. This service is best performed by a qualified service technician.

The blowers use sealed bearings and do not require service lubrication.

Blower Replacement

1. Remove the front trim by lifting and pulling away from the unit. Remove the four screws securing the back plate to the brackets and set them aside carefully to avoid damage.

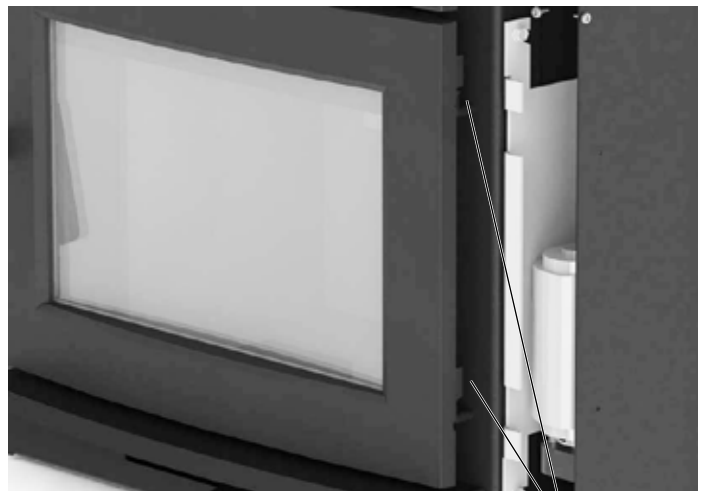
2. Remove the Back plate mounting bracket by removing the two screws securing the bracket to the side casing of the unit. Fig. #15 (may require the unit to be pulled out slightly.)

Fig. # 15



3. With a 3/8" wrench, loosen the two bolts securing the blower mounting bracket to the unit. Fig. #16

Fig. # 16



BOLTS

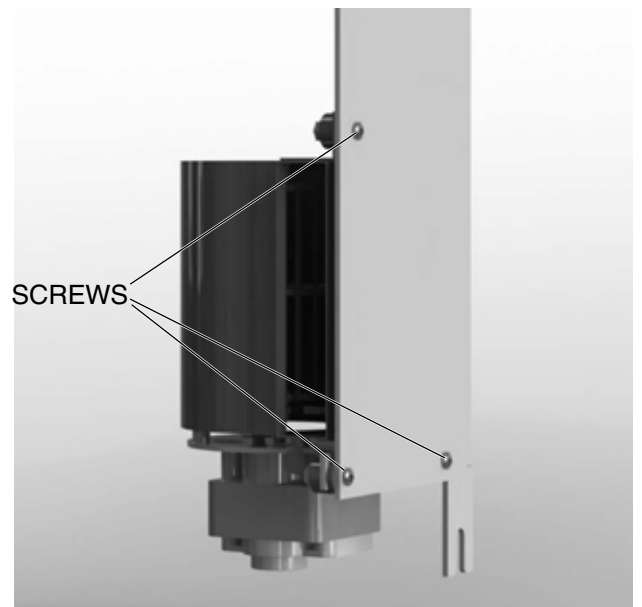
4. Disconnect the two wires leading to the blower motor.

5. Pull the blower mounting bracket bottom out first and then lift the blower up and back to remove from the bolts. If replacing the right side blower, then disconnect the two wires leading to the thermo-switch at this time as well..

Fig. # 17

6. Remove the three screws securing the blower to the mounting bracket and replace the blower. Fig. #17

7. Reverse all previous steps to reinstall the new blower.



SCREWS

Option: Remote Heat Duct Kit Installation

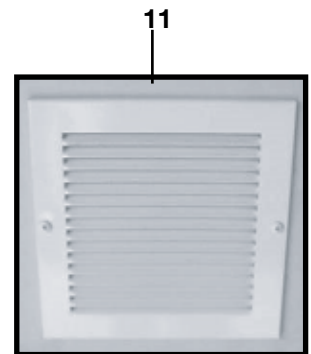
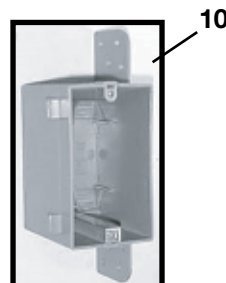
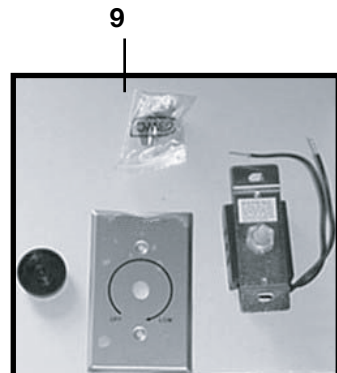
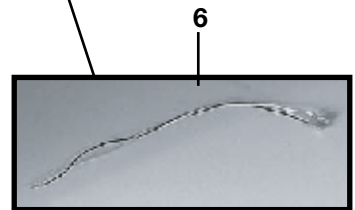
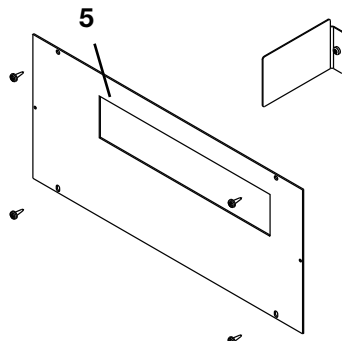
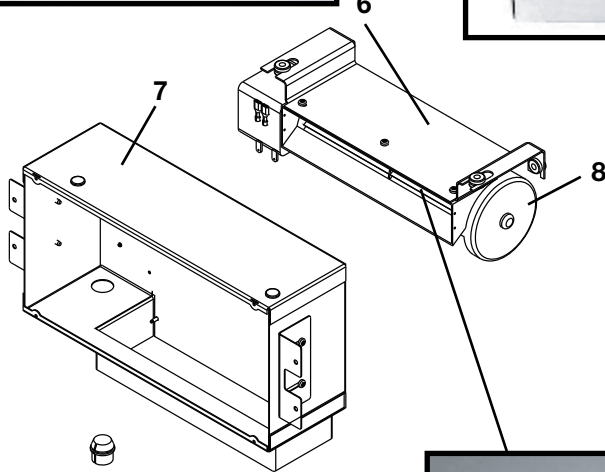
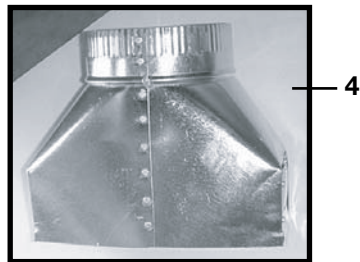
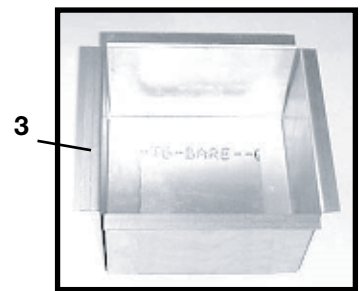
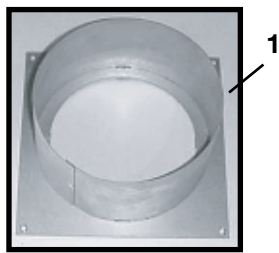
This Fireplace is designed to use the optional Remote Heat Transfer Kit (Part # 11490004). This kit allows heat to be ducted from the casing of the fireplace (using listed B-Vent) to the room or other parts of the home. One or two Remote Heat Kits may be installed on the fireplace. The Remote Heat Kit includes a blower that will require an 240V electrical connection.

The Remote Heat Kit requires 6"(153mm) Listed/Approved gas venting. This allows reduced clearances in the wall spaces. Follow the clearances and applicable installation guidelines in the vent manufacturers instructions, this includes the use of firestops when passing through walls or floor spaces

WARNING: THE CHASE ENCLOSURE MUST HAVE A MINIMUM (194 cm²) ROOM AIR INLET FOR EACH REMOTE HEAT KIT INSTALLED ON THE FIREPLACE. The inlets can be combined, but it must be 388cm² or greater. No extra chase air inlet is required if not installing a remote heat kit.

Heat Duct Replacement Parts

ITEM	DESCRIPTION	PART NUMBER	ITEM	DESCRIPTION	PART NUMBER
1	DUCT ADAPTER	WODC.9128	9	BLOWER.....	80002045
2	OUTLET GRILL.....	5096.854	10	WIRE PIG TAIL.....	WODC.50625
3	BACKFLOW DAMPER.....	WODC.7940	11	STRAIN RELIEF.....	5033.505
4	TRANSITION BOOT.....	5096.853	12	RHEOSTAT KIT.....	5025.001
5	BLOWER CASING FACE PLATE.....	9144	13	JUNCTION BOX.....	5024.408
6	BLOWER FAN BRACKET.....	9146	14	INLET GRILL.....	5096.851
7	ELECTRICAL CONNECTION COVER.....	9144.5			
8	REMOTE BLOWER BOX.....	WODC.9141			



Ducting Options

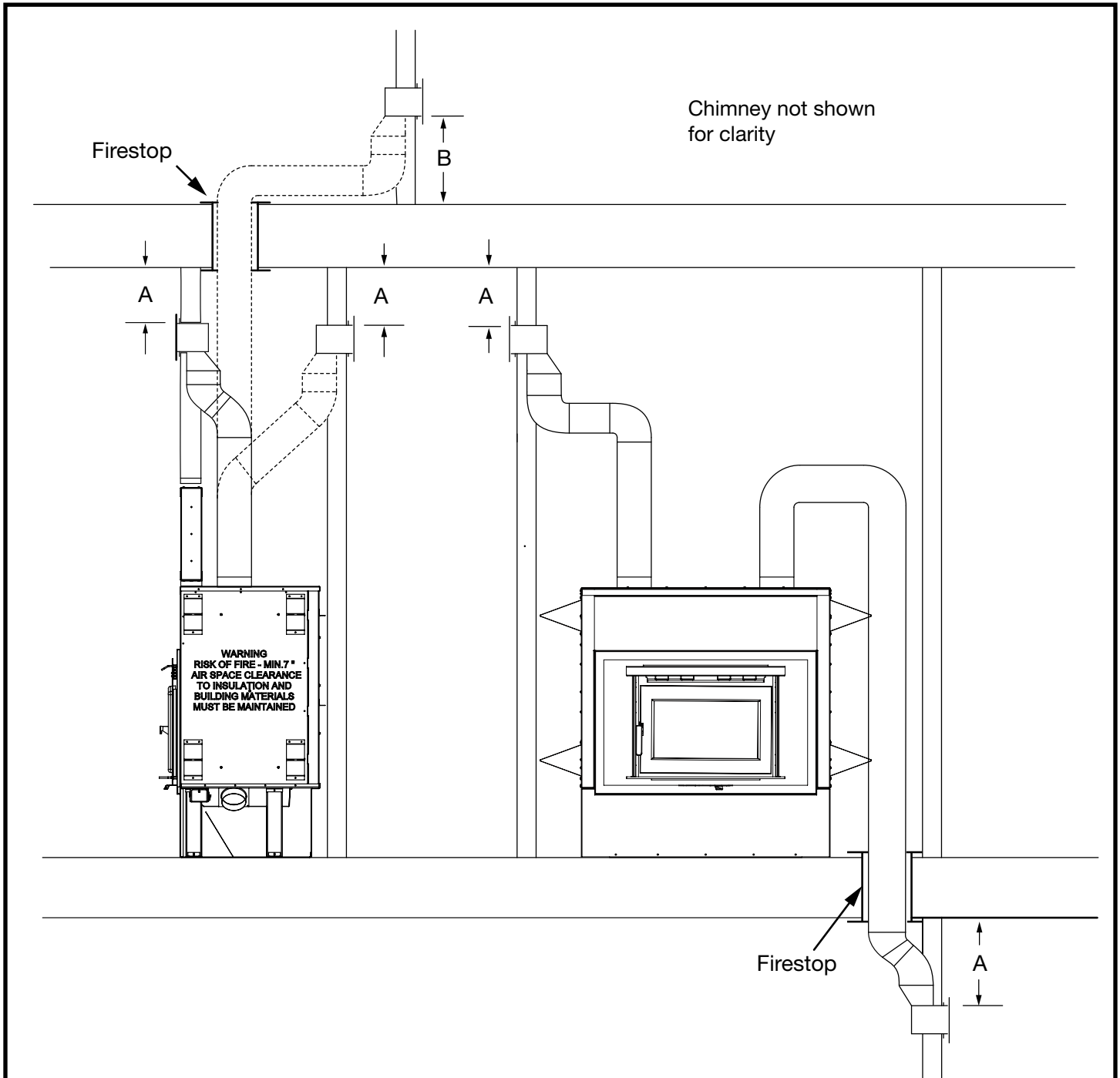


Fig. # 18

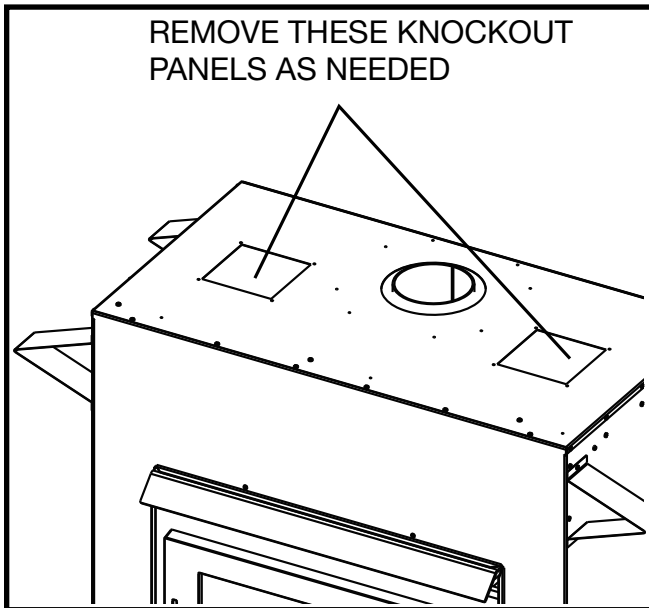
The maximum effective length run for each Remote Heat Kit is(6m). The amount of heat from this kit is affected by the length and number of bends. To maximize the performance the length and number of bends should be kept to a minimum.

- A. (305mm) from the CEILING or SIDE WALLS
- B. (914mm) from the FLOOR

Duct Installation

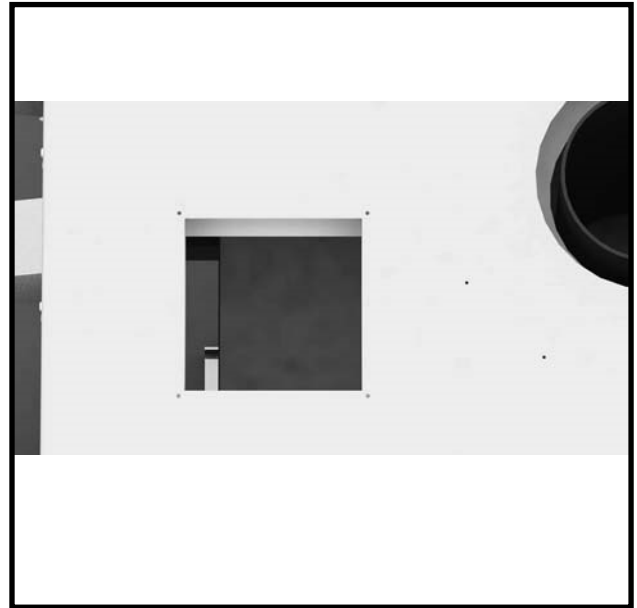
1. Remove the knockout panel from the top of the unit for each Remote Heat Kit you are installing Fig #19.
2. Cut and remove the insulation directly below the opening, down to the next opening Fig #20.

Fig. # 19



Knock out panels.

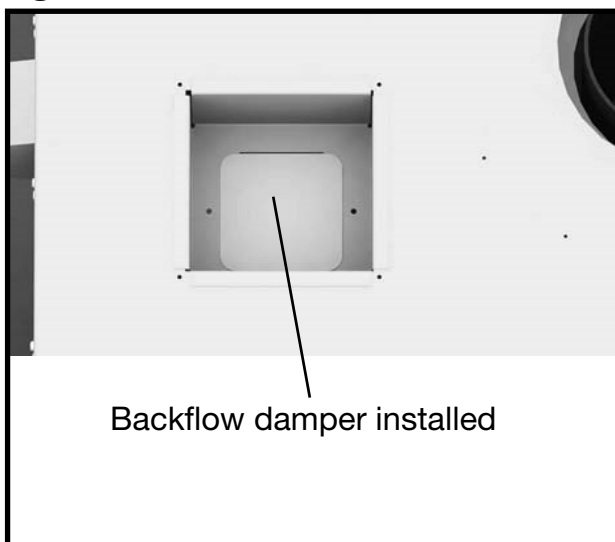
Fig. # 20



Panel with insulation removed.

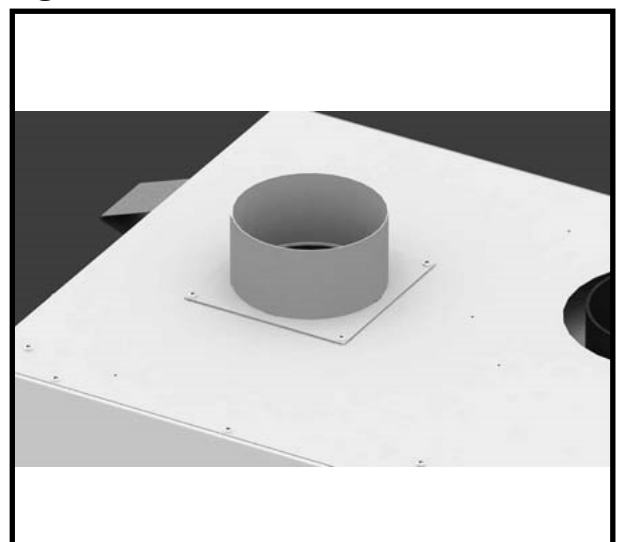
3. Place the Backflow Damper into the top of the unit Fig #21. Ensure that the flap in the assembly is free to move. (Flap should be in the normally closed position with the blower off)
4. Attach the Duct Adapter to the top of the fireplace over top of the Backflow Damper Fig #22. Using 4 screws secure both pieces to the Fireplace's outer casing.

Fig. # 21



Backflow damper.

Fig. # 22



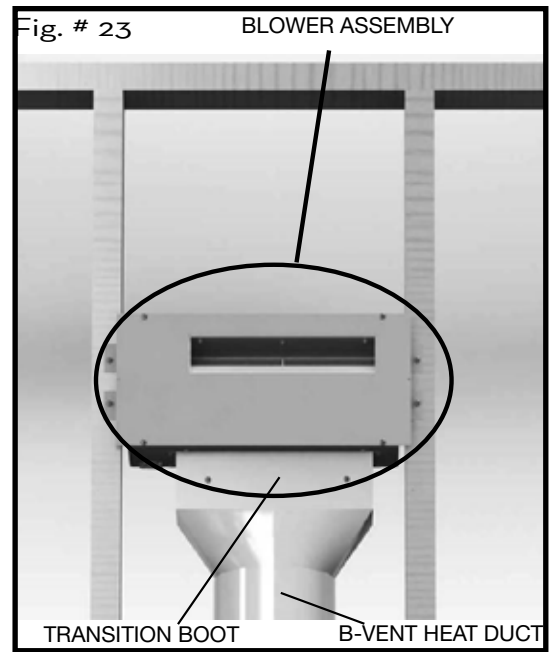
Duct adapter.

5. Locate the Remote Blower Assembly in the desired wall location, following the specifications listed below and secure to the framing using the mounting tabs on the casing.

THE REMOTE HEAT KIT BLOWER ASSEMBLY MUST BE INSTALLED SO THAT ANY EDGE OF THE BLOWER CASING/ OUTLET GRILL IS A MINIMUM OF:

- (305mm) FROM THE CEILING OR ADJUST WALLS
- (914mm) FROM THE FLOOR

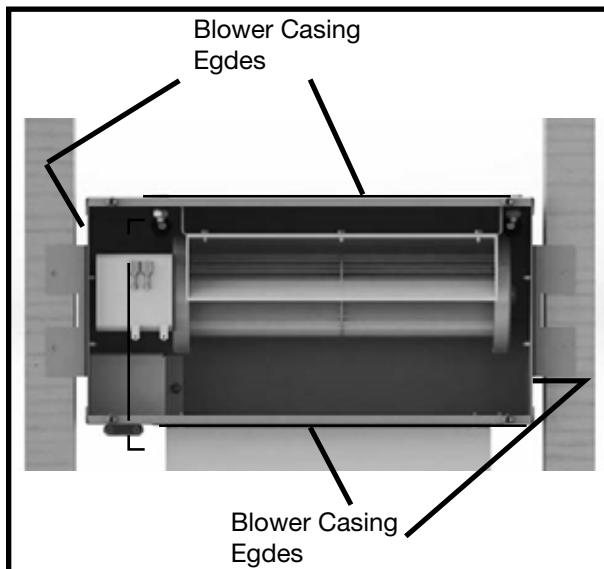
6. Attach the (254) X (83mm) Transition Boot to the Remote Blower Assembly and seal with aluminium duct tape. Run 6"(153mm) diameter approved flexible or ridged gas vent pipe (vent pipe is not include with this kit) between the blower and the fireplace. Fasten in place with screws and seal with aluminium foil tape.
7. Connect the wiring as per the directions and wiring diagram in "Remote Heat Kit Wiring" on page 26.



Blower installation.

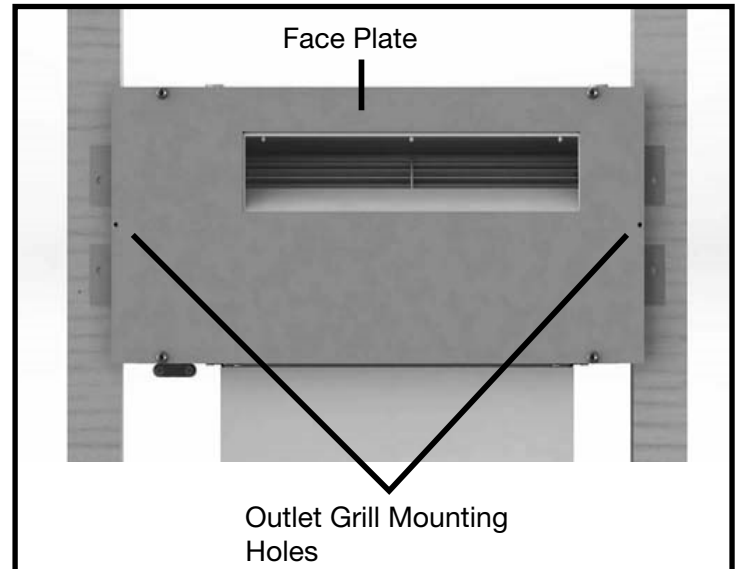
8. Locate the make-up air inlet as per the owner's manual in a desired location in the chase wall.
9. Drywall and facing material must not cover the opening in the blower assembly. Remove the Face Plate. Cut the drywall so the edges butt up against the outside of the blower casing edges Fig #23, top, bottom and sides.
10. Re-install the Face Plate Fig #25 and then attach the Outlet grill(s) over the outlet(s) Face Plate using the screws provided by aligning the screws for the outlet grill with the holes in the casing face plate.
11. Install the Inlet grill(s) over the chase inlet opening(s) after any decorative finish has been applied.

Fig. # 24



Blower details.

Fig. # 25



Grill mounting holes.

Remote Heat Kit Wiring

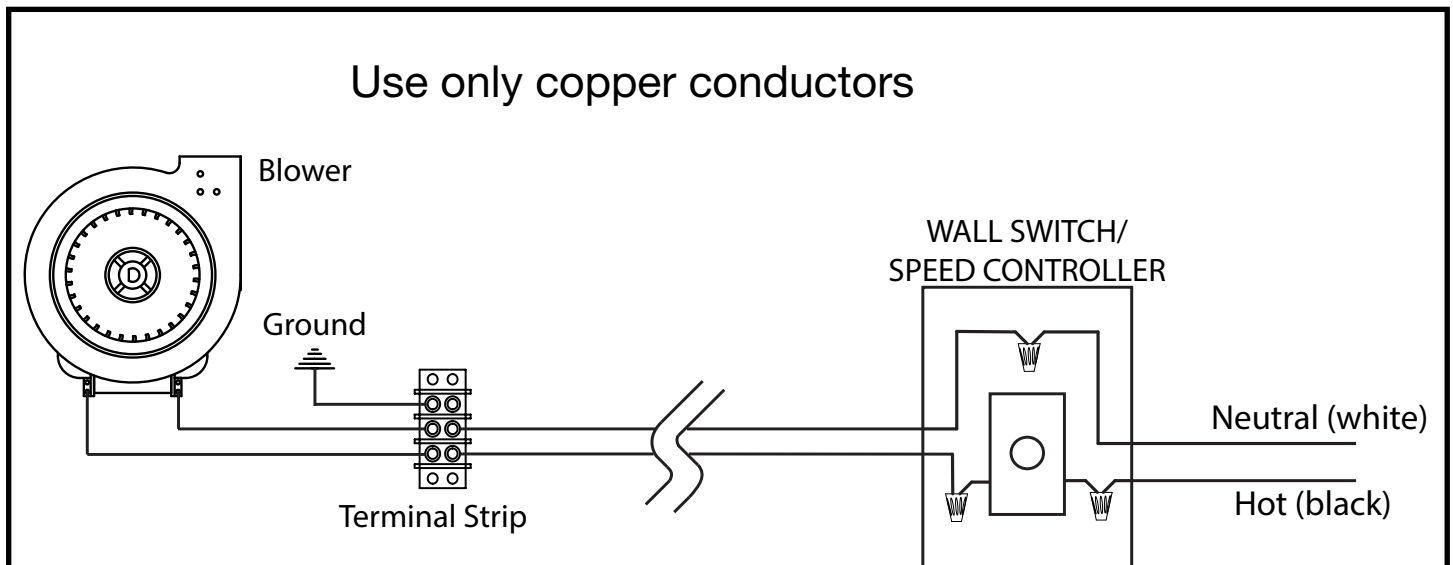
WARNING: ALL ELECTRICAL WIRING MUST BE DONE BY A QUALIFIED ELECTRICIAN.

NOTE: For best results, the remote heat kit blower/s should be wired to a separate switch or speed controller in the room that the outlet is in. If the outlet(s) are mounted in the chase they could be wired on the same switch or speed controller as the Fireplace Blower.

All electrical connections to and within an appliance shall be in accordance with the requirements of AS/NZS 3000, AS/NZS 3100 or ER 93 and the regulatory authority as appropriate.

The Remote Heat Kit blower's electrical rating: 240V, 50HZ, 1 amp. For your protection against shock hazard, use only a properly grounded electrical supply.

This kit includes a junction box, rheostat and cover plate. The junction box should be mounted in a convenient location away from the fireplace.



Remote heat kit wiring diagram.

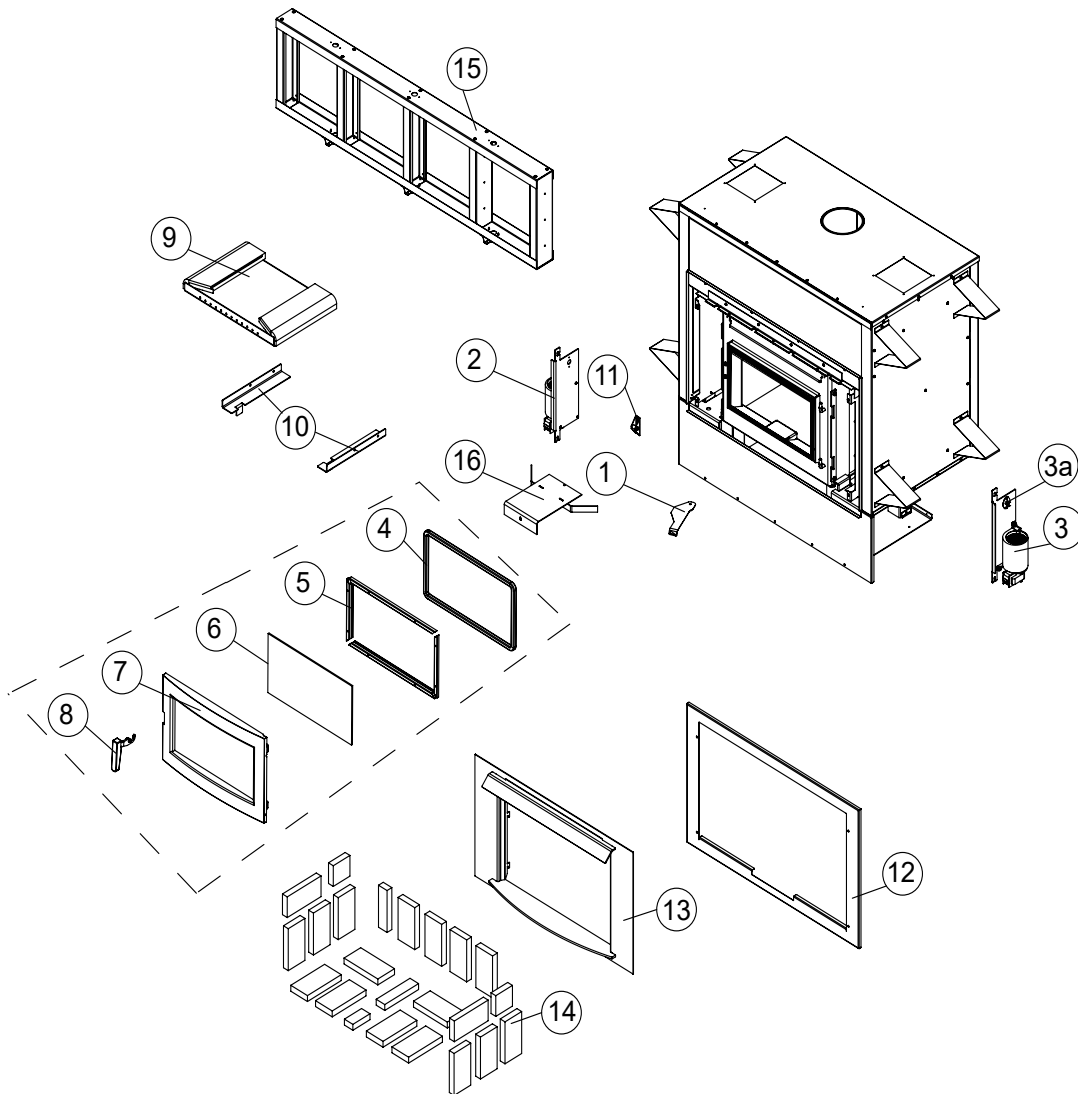
Troubleshooting

Problem	Cause	Cure
Excessive Creosote Buildup	1) Wood is too wet	- Use dry wood(recommended moisture level <20%)
	2) Turning down air control too soon	- Do not turn down until: a) there is a good bed of coals b) the wood is charred
	3) Draft too low	- Chimney plugged or restricted, check flue - Improper chimney height and/or diameter - Provide outside air for combustion - Check draft in chimney and system, alter as needed.
Glass is Dirty	1) See 1, 2, and 3 above	
	2) Door Gasket leakage	- Replace gasket - Check door latch
Low Heat Output	1) Wood may be wet	- Check wood and use drier wood if required.
	2) Fire too small	- Build a larger fire - Open draft control to increase burn rate.
Won't Burn Overnight	1) Air control set too high	- Set control lower
	2) Not enough wood	- Unsplit wood is preferred for overnight burns
Stove Won't Burn	1) Combustion air supply is blocked	- Check outside air supply for obstructions (see Combustion Air section)
	2) Draft too low	- Chimney plugged or restricted Inspect and clean - Chimney oversized or otherwise unsuitable Consult Dealer

Parts List

ITEM DESCRIPTION	PART NUMBER	ITEM DESCRIPTION	PART NUMBER
1 Quadrant	7953	9 Baffle Assembly, NEO 2.5	80000247
2 Blower Assembly, LHS Blower only, LHS	80002314 5024.53	10 Insulation, NEO 2.5, Baffle	80001395
3 Blower Assembly, RHS Blower only, RHS	80002313 5024.54	10 Brick Rail Kit	80000251
3a Thermoswitch	5027.2	11 Door Catch	80000226
4 Door Gasket, 3/4" Rope	80002439	12 Backing Plate, FP25	11200001
5 Glass Retainer	80000246	13 Front Trim, FP25, Met Black	11250005
6 Glass, NEO 2.5 (c/w Tape)	80000240	Front Trim, FP25, Stainless Steel	11250006
7 Door Casting Arch Door Casting (not shown)	80000253 80000920	Front Trim, FP25 Arch, Met Black	11250007
8 Door Handle Assembly Door Complete w gasket and glass Arch Door Complete w/ gasket and glass	80001754 80000253 80000166	Front Trim, FP25 Arch, Stainless Steel	11250008
		14 Firebrick Set	80000248
		15 Framing Kit	80000801
		16 Flame Shield	80002441

All parts may be ordered from your nearest Pacific Energy dealer. Contact Pacific Energy for the location of the dealer nearest you.



Rating Label

1. Remove the Front Trim by lifting up and pulling away from the unit. Remove the four screws securing the back surround to the brackets and set the surround aside carefully to avoid damage.
2. The rating label plate is located on the left side, in the bottom casing support, between the side casing and the heat shield. It is attached to the heat shield by a stainless steel cable. Figure 26.
3. To access/view the rating label, gently pull the cable attached to the rating label plate and lift the plate free of the slot. Figure 27.

Fig. # 26



Fig. # 27





PACIFIC ENERGY FIREPLACE PRODUCTS LTD.
2975 ALLENBY RD., DUNCAN, BC V9L 6V8

Model: **FP25**

Series: **A**

Type: **ZERO CLEARANCE**

Tested by: **AUSTRALIAN SOLID FUEL TESTING**
3 GARDEN ST., MORWELL, VICTORIA

Test report no: **ASFT23065** **26 SEPTEMBER 2023**

WHEN TESTED IN ACCORDANCE WITH:

AS/NZS 4012:2014 & AS/NZS4013:2014

MAXIMUM AVERAGE HEAT OUTPUT BURNING HARDWOOD

9.2 kW

OVERALL AVERAGE EFFICIENCY BURNING HARDWOOD

72%

PARTICULATE EMISSIONS FACTOR - 1.0g/kg

CATALYTIC COMBUSTOR - NO

Distributed by: PIVOT STOVES AND HEATING CO
234-238 MOORABOOL STREET, GEELONG, VIC 3220
pivotstove.com.au

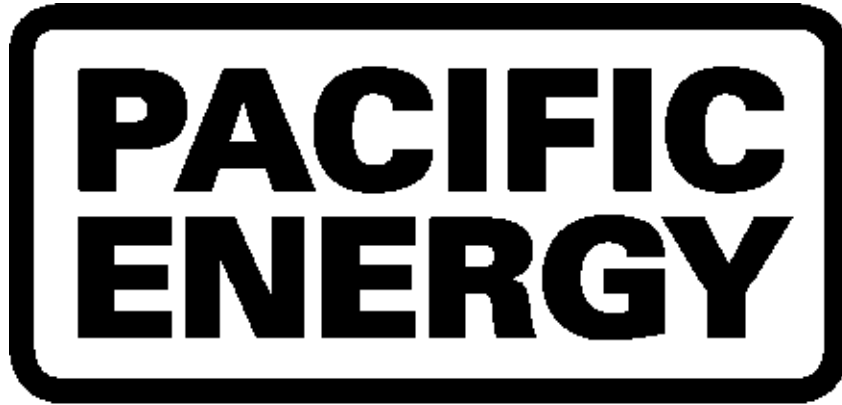
171023

MADE IN CANADA

100006424



© 2023 Copyright Pacific Energy Fireplace Products LTD.
Reproduction, adaptation, or translation
without prior written permission is prohibited
except as allowed under the copyright laws.



For technical support, please contact your retailer

**Web site: www.pacificenergy.net
2975 Allenby Rd., Duncan, BC V9L 6V8**