

# Rinnai

## Assembly Instructions For Energysaver® Back Cover Kits

To suit the following Rinnai Energysaver® heaters:

MODEL		KIT ORDER CODE
Energysaver® 308	-	ESBSKA
Energysaver® 309	-	ESBSKE
Energysaver® 556	-	ESBSKB
Energysaver® 557	-	ESBSKC
Energysaver® 559	-	ESBSKF
Energysaver® 1004	-	ESBSKD

### GENERAL

The back cover kits described in these instructions are used instead of the back cover kit supplied with the Energysaver® heater only when the heater is installed with the 'sideways' or 'down and out' flue system options. The back cover kits described in these instructions are not required for any other flueing options.



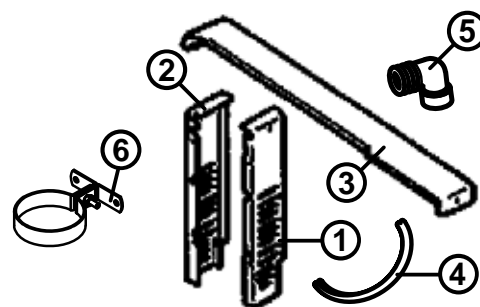
For details regarding flue system options and installation refer to the 'Co-Axial Flue System Installation Instructions - Rinnai Energysaver® Space Heaters' included with flue components. Only the flue components described in this manual must be used. Other components, whether manufactured by Rinnai or otherwise, must not be used.

These assembly instructions must be read in conjunction with the 'Co-Axial Flue System Installation Instructions - Rinnai Energysaver® Space Heaters' included with flue components.

### COMPONENTS

All back cover kits comprise the components listed below. The dimensions vary to suit the various Energysaver® heater models.

- ① Left cover panel
- ② Right cover panel
- ③ Top cover panel
- ④ Protective plastic edge
- ⑤ Elbowed flue pipe connection
- ⑥ Wall clip assembly

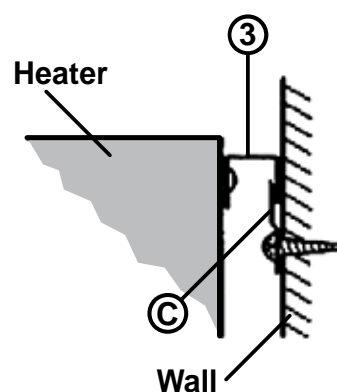
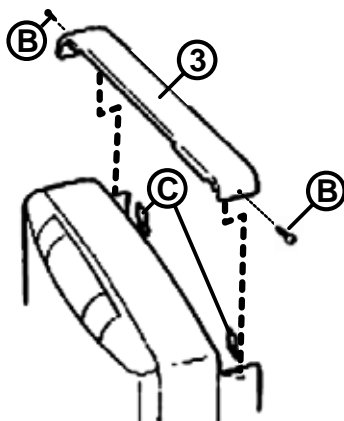
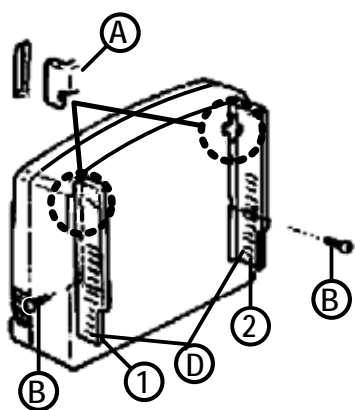


For the correct assembly sequence of this kit refer to the 'Co-axial Flue System Installation Instructions - Rinnai Energysaver® Space Heaters'.

The screws and wall brackets provided with the heater are required for assembly of this kit. Do not discard these items.

### SIDE PANEL ASSEMBLY

Fit left ① & ② cover panels by engaging the tabs of the cover panels into the slots of the heater ①. Secure to heater using the screws provided with the heater ② or ③. Screw position ③ is for Energysaver® 309 & 559 models only.



### TOP PANEL AND WALL BRACKET ASSEMBLY

Place the top cover panel ③ into position as shown. Mark the position of the top edge of the top cover on the wall. Mark centre lines 30 mm down from the top edge mark and 40 mm inwards from the left and right hand sides of the top cover panel.

Fix wall brackets ③ to the wall at the marked positions using the screws provided. Clip the top cover panel into the wall bracket tabs and attach to the side panels using the screws provided ② or ③. Screw position ③ is for Energysaver® 309 & 559 models only. The heater should now be secured to the wall.



**Important:** Ensure flue system components are assembled and secured in accordance with the 'Co-Axial Flue System Installation Instructions - Rinnai Energysaver® Space Heaters'. Incorrect assembly could result in products of combustion dispersing into the room being heated which may result in a dangerous condition.

**Rinnai Australia Pty. Ltd.** ABN 74 005 138 769

**Head Office**

10-11 Walker Street,  
Braeside, Victoria 3195  
P.O. Box 460  
Tel: (03) 9271 6625  
Fax: (03) 9271 6622

Internet: [www.rinnai.com.au](http://www.rinnai.com.au) E-mail: [enquiry@rinnai.com.au](mailto:enquiry@rinnai.com.au)

**National Help Lines**

**Spare Parts & Technical Info**  
Tel: 1300 555 545\*  
Fax: 1300 300 141\*

*\*Cost of a local call Higher from mobile or public phones.*