

# STIX SERIES

## FREESTANDING FIRE PITS



A fireplace with a contemporary twist on the traditional campfire, designed by acclaimed Barcelona-based designer Hiroshi Tsunoda. Echoing Hiroshi's signature style of geometric figures, the Stix Series consists of varying-sized tubular stainless steel 'sticks', creating a visually striking and practical fire for indoor and alfresco environments. A stylishly elegant and practical hearth for lovers of outdoor (and indoor) living.

**Relocate With Ease**

Bioethanol outdoor fireplaces relocate with ease, and this portability is greatly enhanced by the self contained engineering of the EcoSmart system. There is no need for a utility connection, which means you can transform the look and feel of your outdoor entertaining area when desired.

Or, leave your fireplace in a permanent position on the patio and design an enchanting outdoor space using the fireplace as the focal point. It has never been this easy to design a backyard or courtyard that feels so inviting.

**Quick and Easy**

With no installation or building works required, simply unpack, put into position, and off you go.

**Colours**

Stix 8 is available in Black. Stix is available in Black or Stainless Steel.

**Environmentally-Friendly**

Bioethanol fireplaces use an environmentally-friendly, renewable energy source that burns clean and delivers warming heat. You and your guests will enjoy the ambiance and tranquility of a real fire, without the hassles of burning real wood - no more embers, ash, and soot to clean up.

**Global Compliance**

These models comply with existing standards in the USA and Australia. UL Listed and ACCC Safety Mandate compliant.

**Available in Two Sizes**

The Stix Series is available in two sizes – Stix (small) and Stix 8 (large) – and are striking either standalone or together.

**Versatile and Incredibly Durable**

EcoSmart portable fireplaces are versatile, incredibly durable, and are constructed of weather resistant materials. These appliances are designed to look great for years, and will perform admirably through all four seasons.

**Included Accessories**

**Optional Accessory**



Jerry Can



Lighting Rod + Lighter



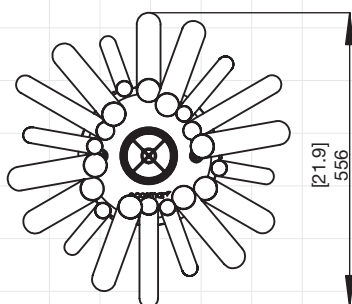
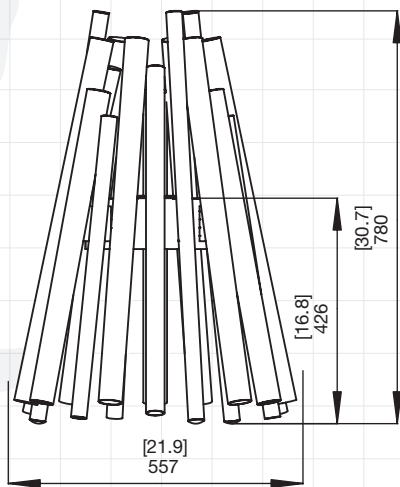
Jerry Can Extension Spout



Protective Cover

Disclaimer: All product specifications and data are subject to change without notice and believed to be correct at the time of publication. MAD Design Group (MDG), its affiliates, agents, and employees, and all persons acting on its or their behalf (collectively, "MAD Design Group"), disclaim any and all liability for any errors, inaccuracies or incompleteness contained herein or in any other disclosure relating to any product. MDG disclaims any and all liability arising out of the use or application of any product described herein or of any information provided herein to the maximum extent permitted by law. The product specifications do not expand or otherwise modify MDG's terms and conditions of purchase, including but not limited to the warranty expressed therein, which apply to these products. No license, express or implied, by estoppel or otherwise, to any intellectual property rights is granted by this document or by any conduct of MDG. Customers using or selling MDG products not expressly indicated for use in such applications do so entirely at their own risk and agree to fully indemnify MDG for any damages arising or resulting from such use or sale. Please contact authorised personnel from MDG to obtain written terms and conditions regarding products designed for such applications. Images are indicative only.

# Stix



<b>Awards</b>	2011 DesignEx Best New Product (AUS) 2011 IIDA/HD Award for Excellence (USA)						
<b>Application</b>	Indoor & Outdoor						
<b>Materials</b>	Grade 304 Stainless Steel burner, Brushed Stainless Steel, Black Powder Coating						
<b>Weight</b>	14kg [30.8lbs] Weight includes Burner.						
<b>Colours &amp; SKU's</b>	<table border="0"> <tr> <td></td> <td>Stainless Steel</td> <td>ESF.1.O.STX.SS</td> </tr> <tr> <td></td> <td>Black</td> <td>ESF.1.O.STX.BL</td> </tr> </table>		Stainless Steel	ESF.1.O.STX.SS		Black	ESF.1.O.STX.BL
	Stainless Steel	ESF.1.O.STX.SS					
	Black	ESF.1.O.STX.BL					

## BURNER INFORMATION\*

<b>Burner</b>	AB3
<b>Fuel Type</b>	e-NRG Bioethanol
<b>Fuel Capacity</b>	2.5 Litres [0.7 Gallons]
<b>Heats on Average (when used indoors)</b>	Over 20 square metres [215 square feet]
<b>Burn Time</b>	8 - 11 hours (approx)
<b>Minimum Room Size</b>	40 cubic metres [1413 cubic feet] per fireplace.
<b>Colours</b>	Stainless Steel or Black

\*These values are indicative only and may vary depending on the model purchased, installation, and the seasonal resource used to manufacture e-NRG.

This model comes with fixing brackets for permanently locating into a fixed position.

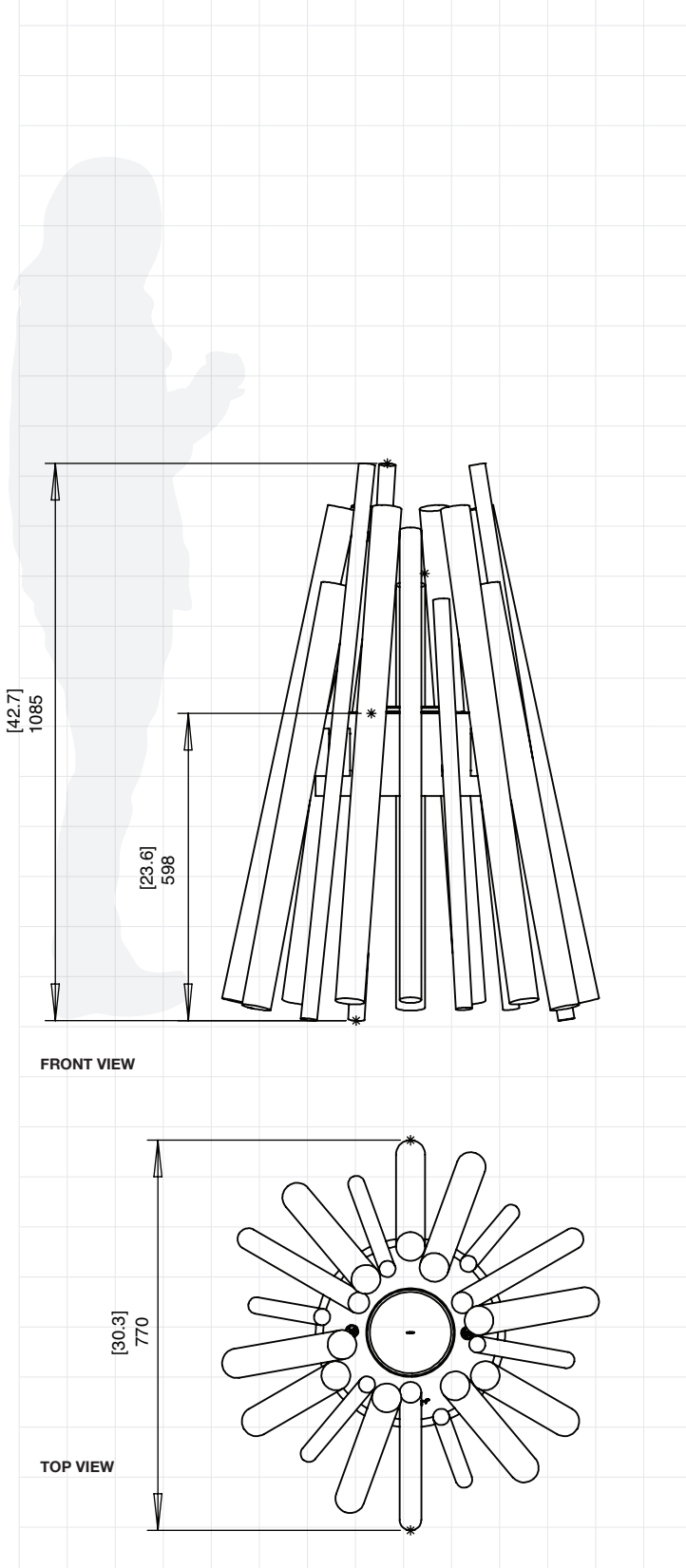
### Global Compliance

This model complies with existing standards in the USA and Australia. UL Listed and ACCC Safety Mandate compliant.

**FOR MORE INFORMATION PLEASE REFERENCE THE CLEARANCE & INSTALLATION MANUAL**

Disclaimer: All product specifications and data are subject to change without notice and believed to be correct at the time of publication. MAD Design Group (MDG), its affiliates, agents, and employees, and all persons acting on its or their behalf (collectively, "MAD Design Group"), disclaim any and all liability for any errors, inaccuracies or incompleteness contained herein or in any other disclosure relating to any product. MDG disclaims any and all liability arising out of the use or application of any product described herein or of any information provided herein to the maximum extent permitted by law. The product specifications do not expand or otherwise modify MDG's terms and conditions of purchase, including but not limited to the warranty expressed therein, which apply to these products. No license, express or implied, by estoppel or otherwise, to any intellectual property rights is granted by this document or by any conduct of MDG. Customers using or selling MDG products not expressly indicated for use in such applications do so entirely at their own risk and agree to fully indemnify MDG for any damages arising or resulting from such use or sale. Please contact authorised personnel from MDG to obtain written terms and conditions regarding products designed for such applications. Images are indicative only.

# Stix 8



<b>Application</b>	Outdoor and Indoor	
<b>Materials</b>	Grade 304 Stainless Steel burner, Brushed Stainless Steel, Black Powder Coating	
<b>Weight (approx)</b>	30.9kg [68.1lbs]	Weight includes Burner.
<b>Colour &amp; SKU</b>	<span style="display:inline-block; width:15px; height:15px; background-color:black;"></span> Black	ESF.1.O.STX8.BL

#### BURNER INFORMATION\*

AB8 Burner	Without Efficiency Ring	With Efficiency Ring (EN Compliant)
<b>Heats on Average (when used indoors)</b>	Over 60m <sup>2</sup> [645f <sup>2</sup> ]	Over 30m <sup>2</sup> [322.9f <sup>2</sup> ]
<b>Burn Time (approx)</b>	7 - 11 hours	9 - 11 hours
<b>Fuel Type</b>	e-NRG Bioethanol	
<b>Fuel Capacity</b>	8 Litres [2.1 Gallons]	
<b>Minimum Room Size</b>	116 cubic metres [4096 cubic feet] per fireplace.	
<b>Colour</b>	Black	

\*These values are indicative only and may vary depending on the model purchased, installation, and the seasonal resource used to manufacture e-NRG.

This model comes with fixing brackets for permanently locating into a fixed position.

#### Global Compliance

This model complies with existing standards in the USA and Australia. UL Listed and ACCC Safety Mandate compliant.

**FOR MORE INFORMATION PLEASE REFERENCE THE CLEARANCE & INSTALLATION MANUAL**

Disclaimer. All product specifications and data are subject to change without notice and believed to be correct at the time of publication. MAD Design Group (MDG), its affiliates, agents, and employees, and all persons acting on its or their behalf (collectively, "MAD Design Group"), disclaim any and all liability for any errors, inaccuracies or incompleteness contained herein or in any other disclosure relating to any product. MDG disclaims any and all liability arising out of the use or application of any product described herein or of any information provided herein to the maximum extent permitted by law. The product specifications do not expand or otherwise modify MDG's terms and conditions of purchase, including but not limited to the warranty expressed therein, which apply to these products. No license, express or implied, by estoppel or otherwise, to any intellectual property rights is granted by this document or by any conduct of MDG. Customers using or selling MDG products not expressly indicated for use in such applications do so entirely at their own risk and agree to fully indemnify MDG for any damages arising or resulting from such use or sale. Please contact authorised personnel from MDG to obtain written terms and conditions regarding products designed for such applications. Images are indicative only.