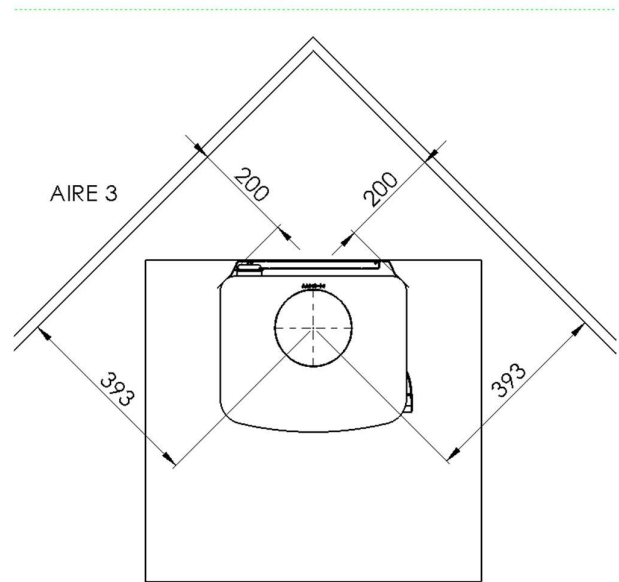
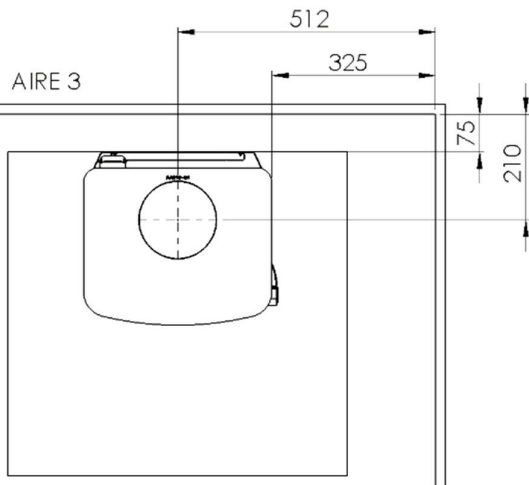
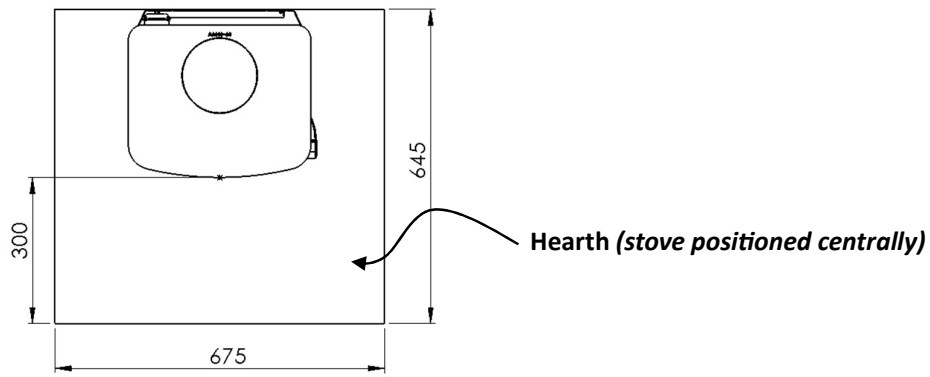
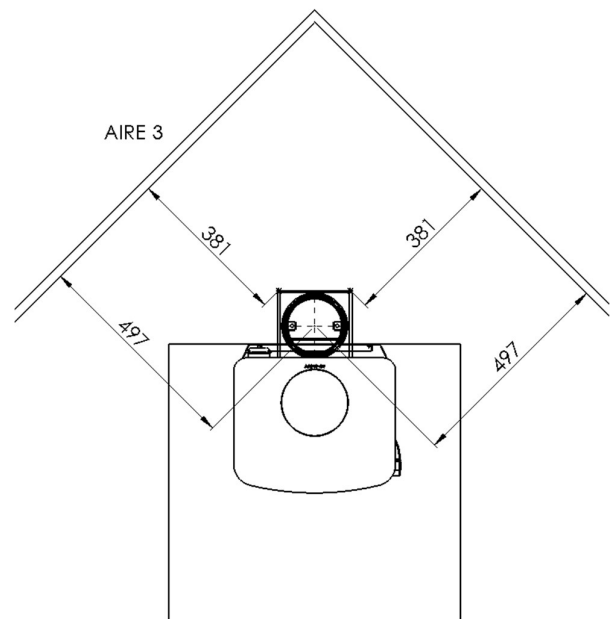
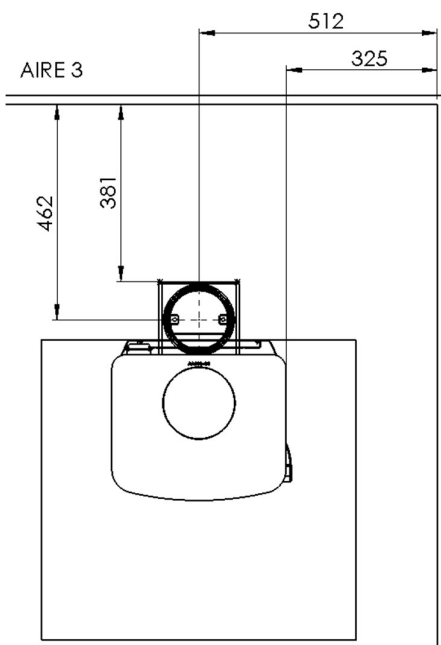
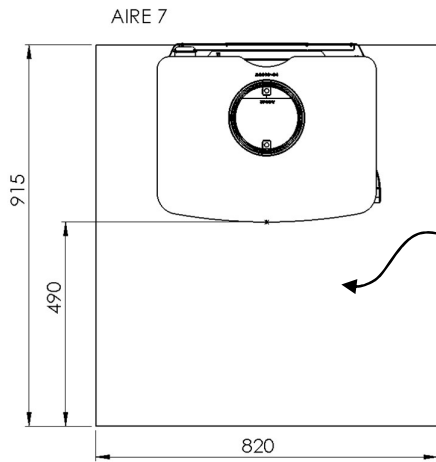


AIRE 3



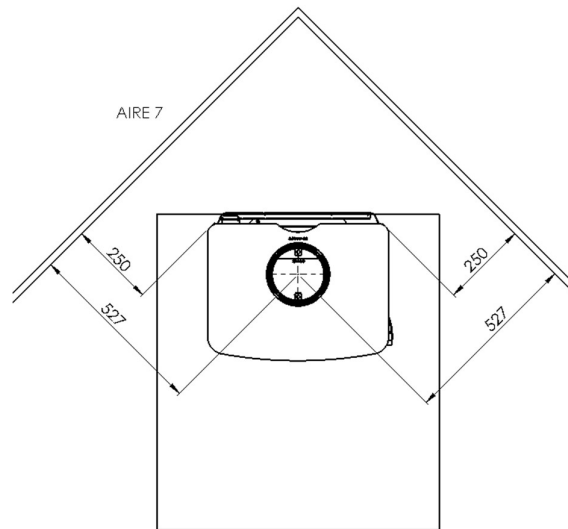
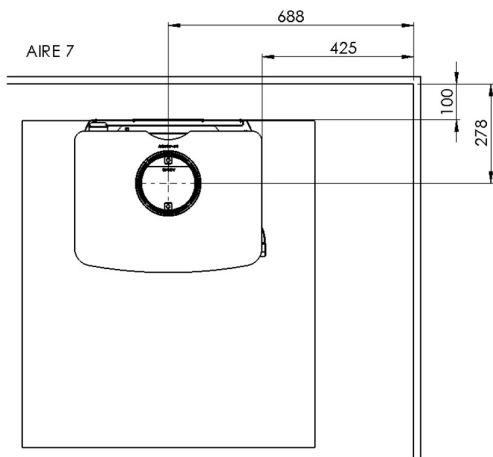
With VRFA



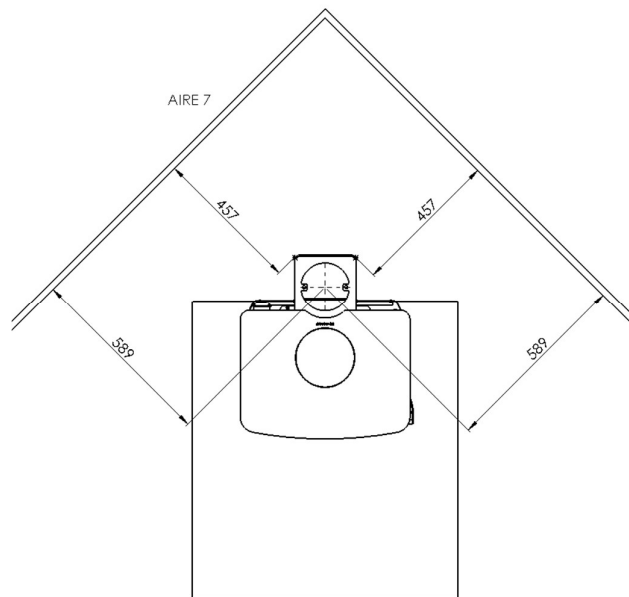
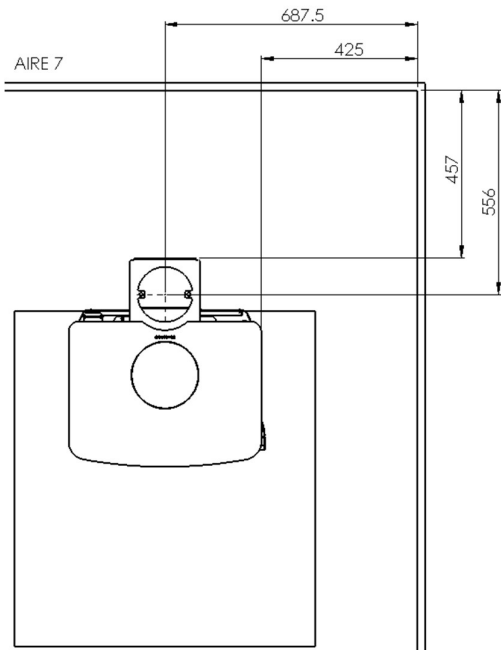


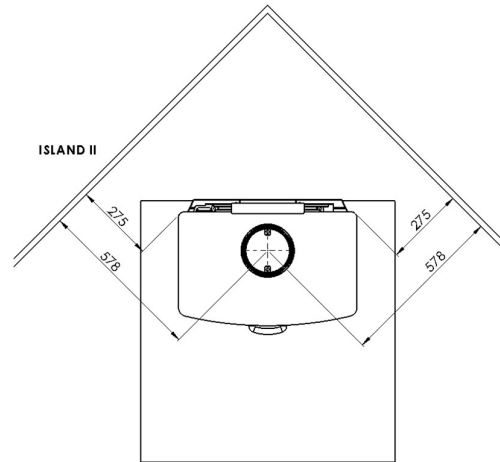
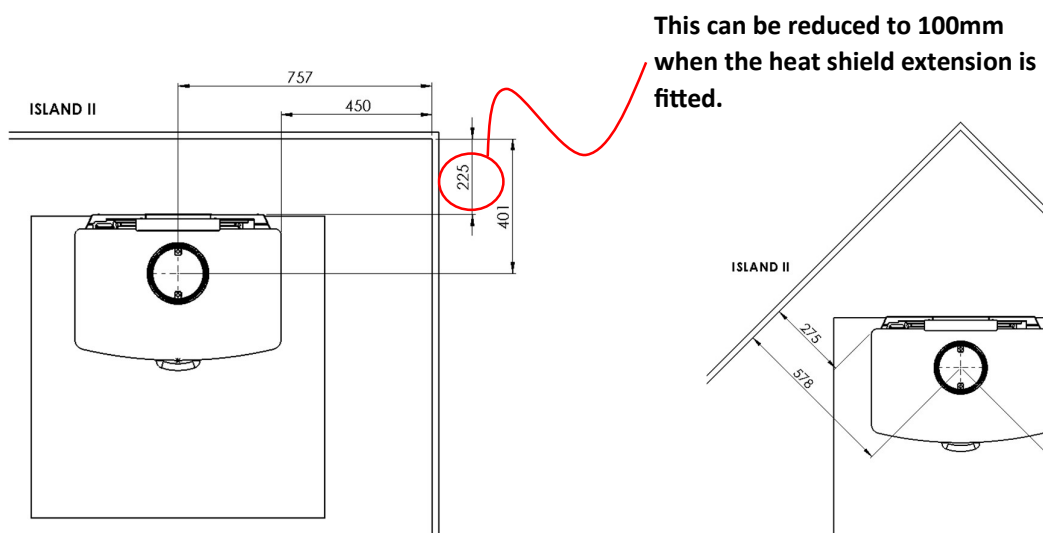
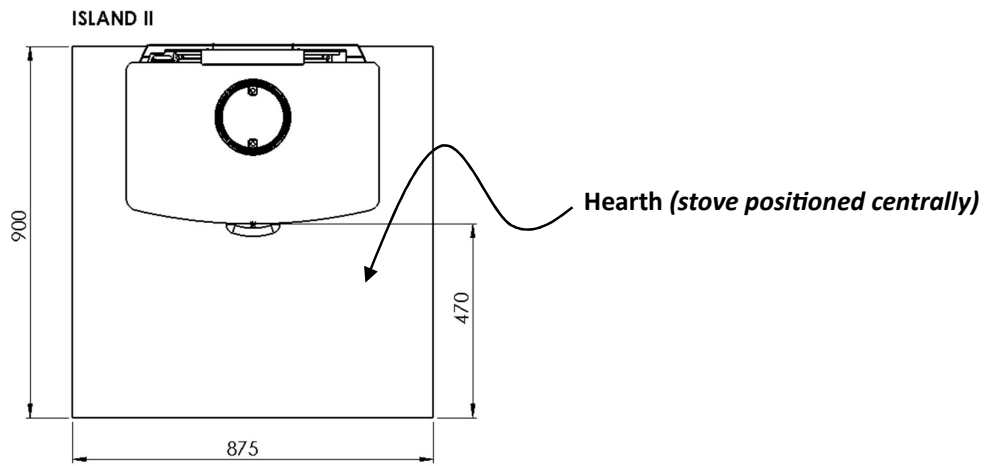
The hearth in front of the stove can be reduced to 438mm if the stove is a store stand version of the Aire 7.

Hearth (stove positioned centrally)

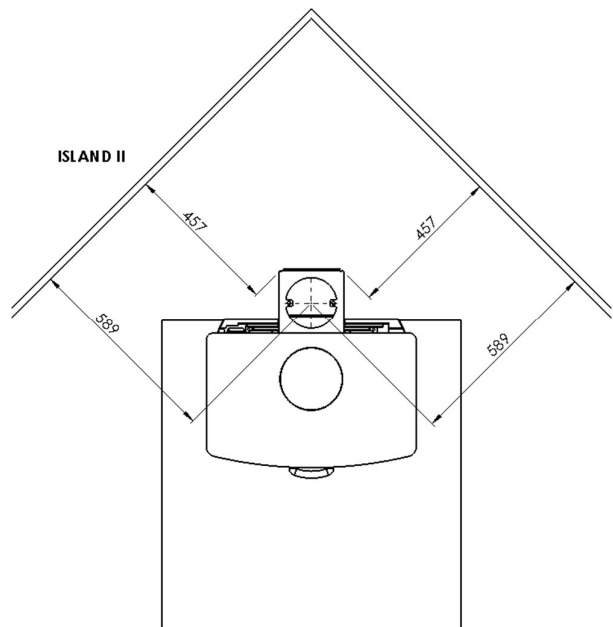
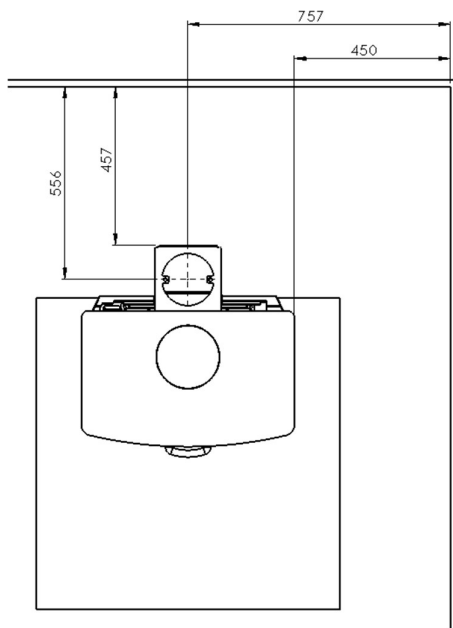


With VRFA

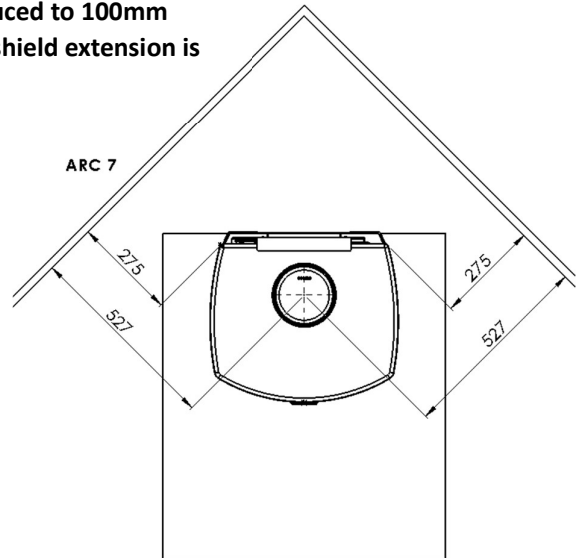
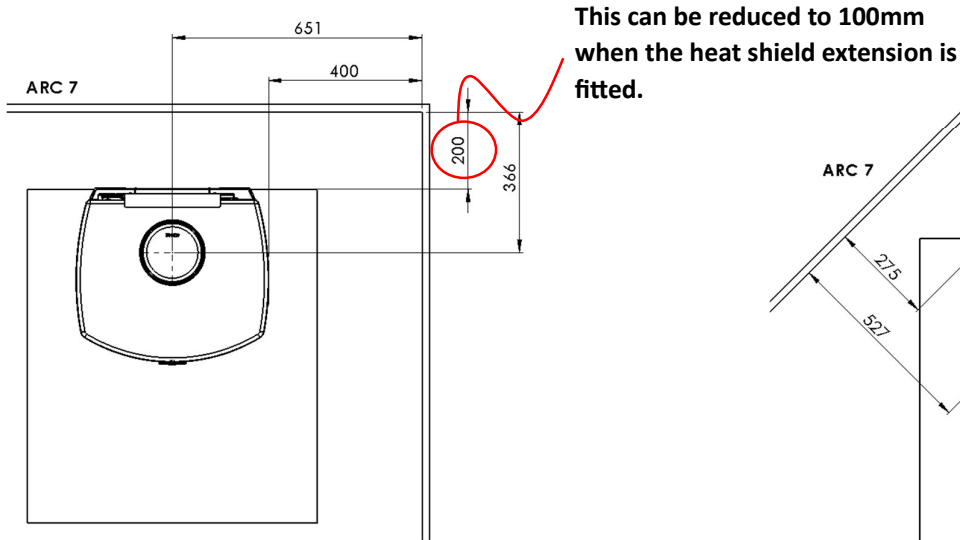
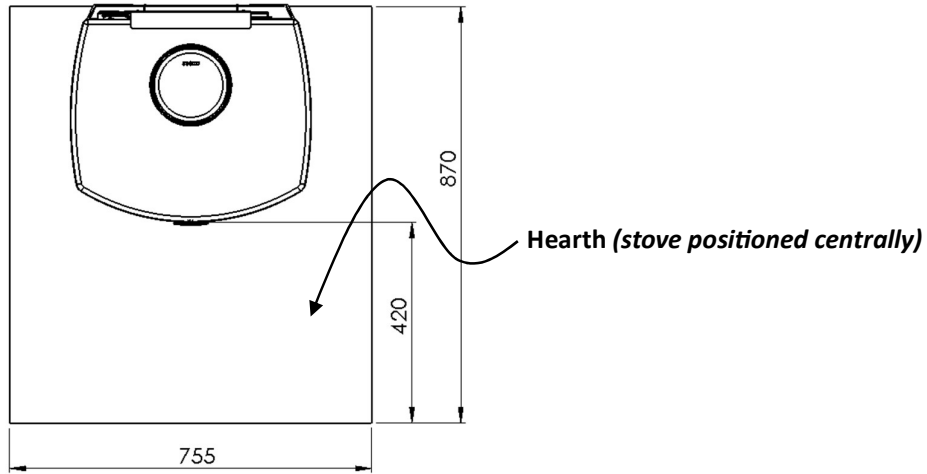




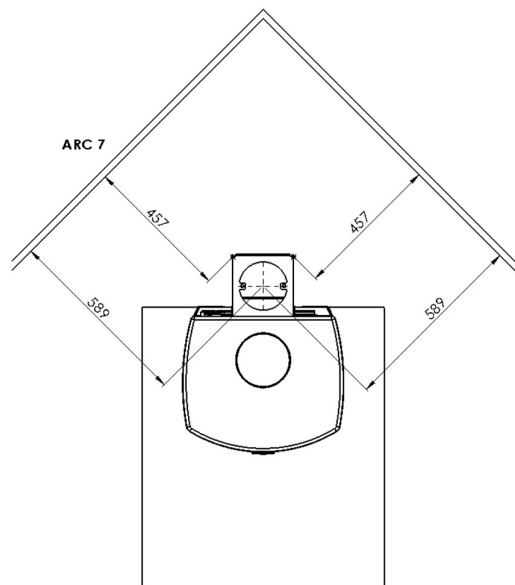
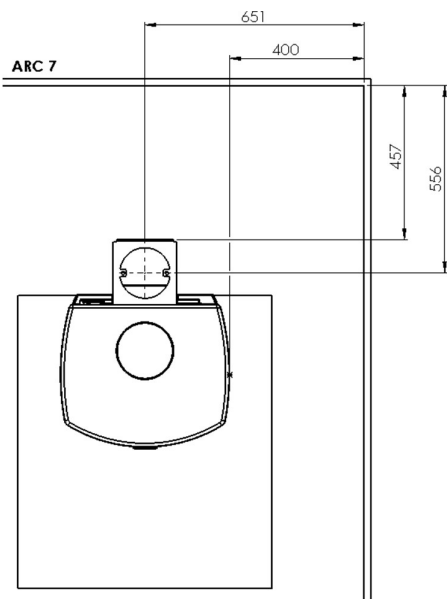
With VRFA



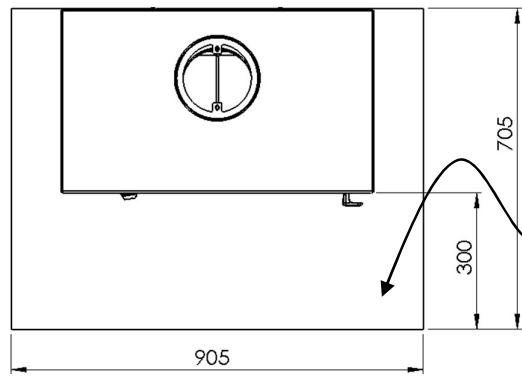
ARC 7



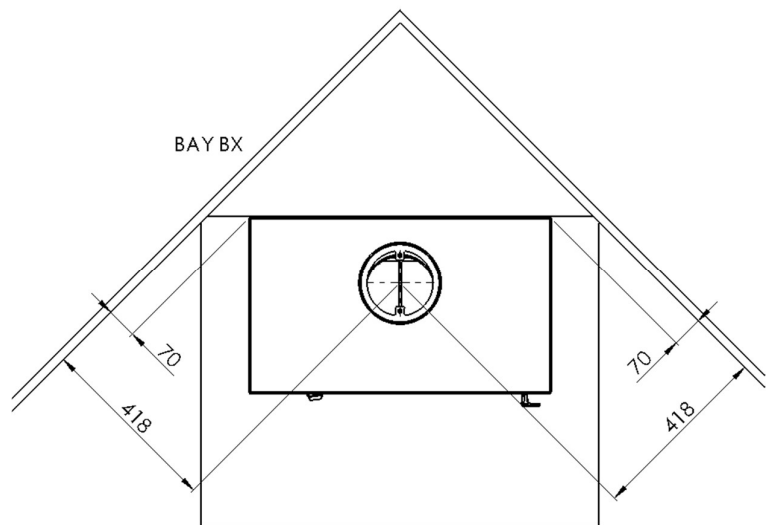
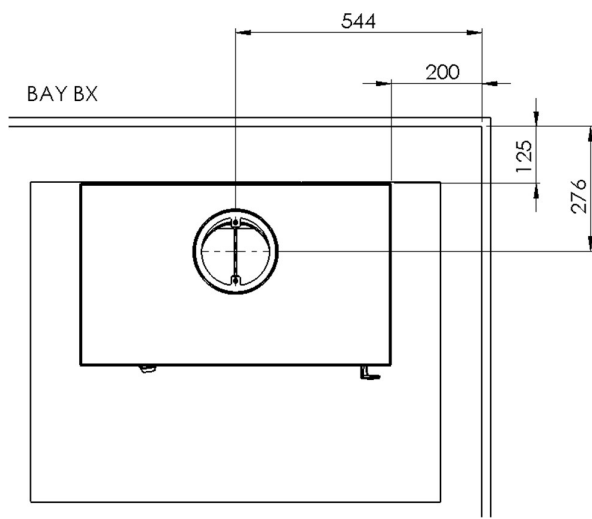
With VRFA



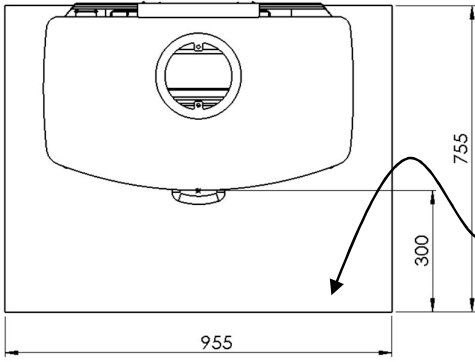
BAY BX



Hearth (stove positioned centrally)



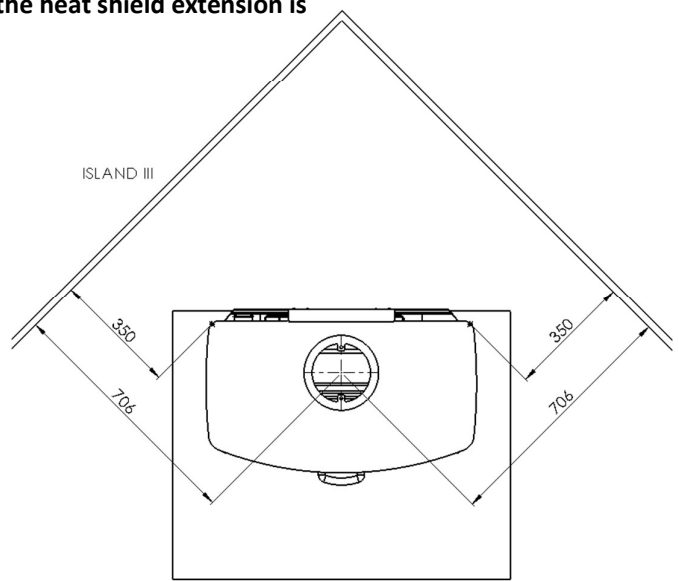
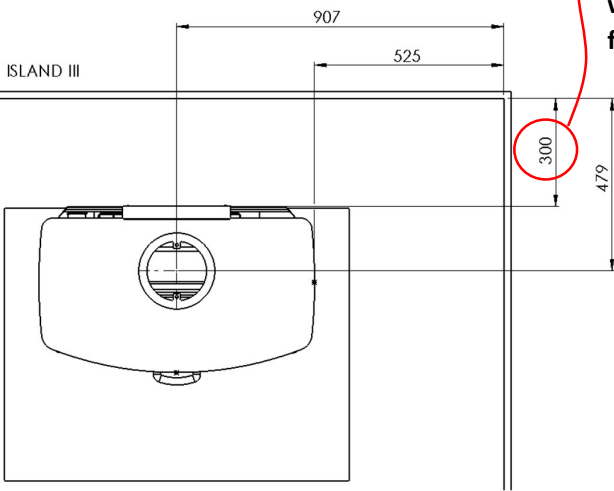
ISLAND III



Hearth (stove positioned centrally)

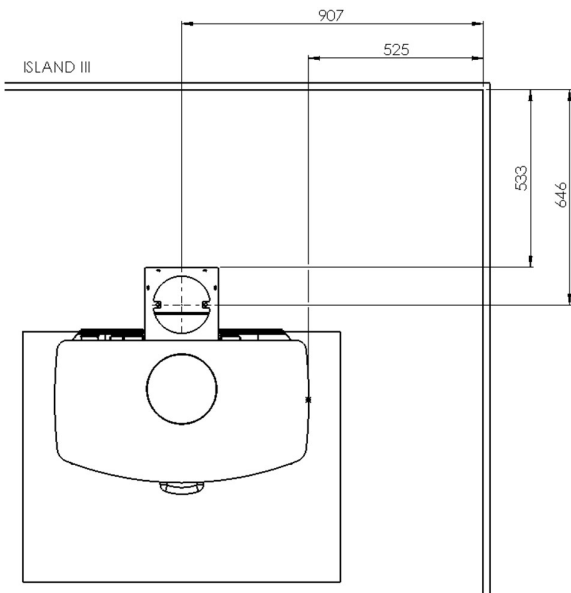
This can be reduced to 225mm when the heat shield extension is fitted.

ISLAND III



With VRFA

ISLAND III



ISLAND III

