

Model Compatibility:
951WPB for RHFE-951ETR
RHFE-952ER
1250WPB for RHFE-1250ETR
RHFE-1252ER



IMPORTANT NOTE TO INSTALLER:

This Weather Proof Box is suitable with Direct Flue Configuration only, Part No. ASPDFK.
 Use only genuine Rinnai Parts.



Installer please note that a 951WPB and a RHFE-951ETR have been illustrated throughout this instruction and that the installation and assembly methods are identical for all models except where it has been otherwise stated.

Kit contents 951WPB		Kit contents 1250WPB	
Item	Quantity	Item	Quantity
Assembly & Installation Screws:		Assembly & Installation Screws:	
8x10 Philips (PH)	57	8x10 Philips (PH)	61
Self Drilling (SD)	7	Self Drilling (SD)	7
Wood (W)	12	Wood (W)	12
Weather Proof Box (7 components)	1	Weather Proof Box (7 components)	1
Support Shelf (3 components)	1	Support Shelf (3 components)	1
Instruction Manual	1	Instruction Manual	1

This appliance shall be installed in accordance with:

- Manufacturer's Installation Instructions
 - Current AS/NZS 5601 AS/NZS 3000
 - Local Regulations and Municipal Building Codes including local OH&S requirements
- This appliance must be installed, maintained and removed by an Authorised Person.
 For continued safety of this appliance it must be installed and maintained in accordance with the manufacturers instructions.

Rinnai Australia Pty. Ltd. ABN 74 005 138 769

Head Office

100 Atlantic Drive,
 Keysborough, Victoria 3173
 Tel: (03) 9271 6625
 Fax: (03) 9271 6622
 P.O. Box 460
 Braeside, Victoria 3195

INSTALLATION MANUAL - 951WPB / 1250WPB

REGULATIONS



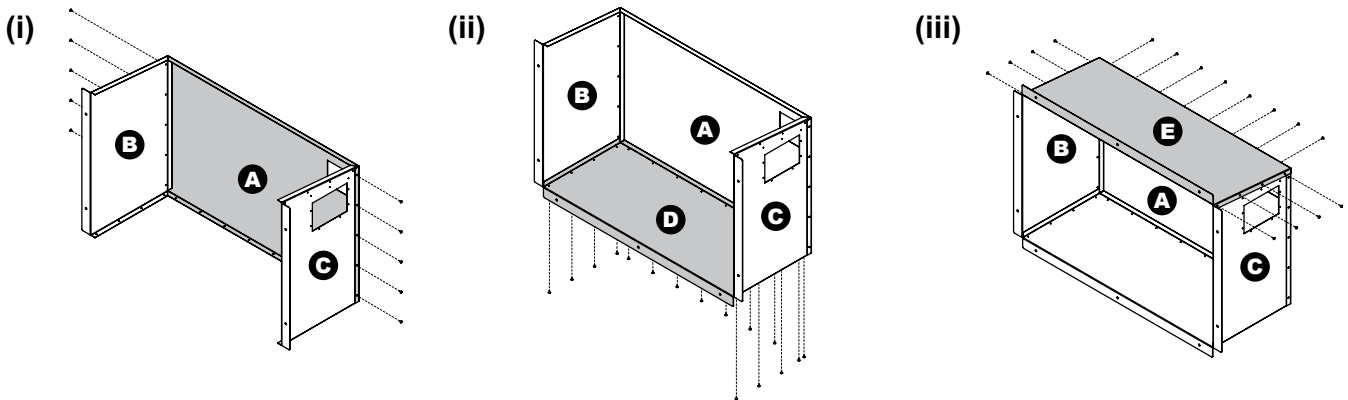
This accessory shall be installed in accordance with:

- Manufacturer's Installation Instructions, including OPERATION & INSTALLATION MANUAL, Power Flued Flamefire Gas Space Heater RHFE-951ETR / RHFE-952ER / RHFE-1250ETR / RHFE-1252ER (supplied with the heater) and INSTALLATION MANUAL, Power Flued Flamefire Space Heater Co-axial Flue System (supplied with the flue)
- Current AS/NZS 5601 AS/NZS 3000
- Local Regulations and Municipal Building Codes including local OH&S requirements

To be installed, maintained and removed by an Authorised Person.

For continued safety of this appliance it must be installed and maintained in accordance with the manufacturers instructions.

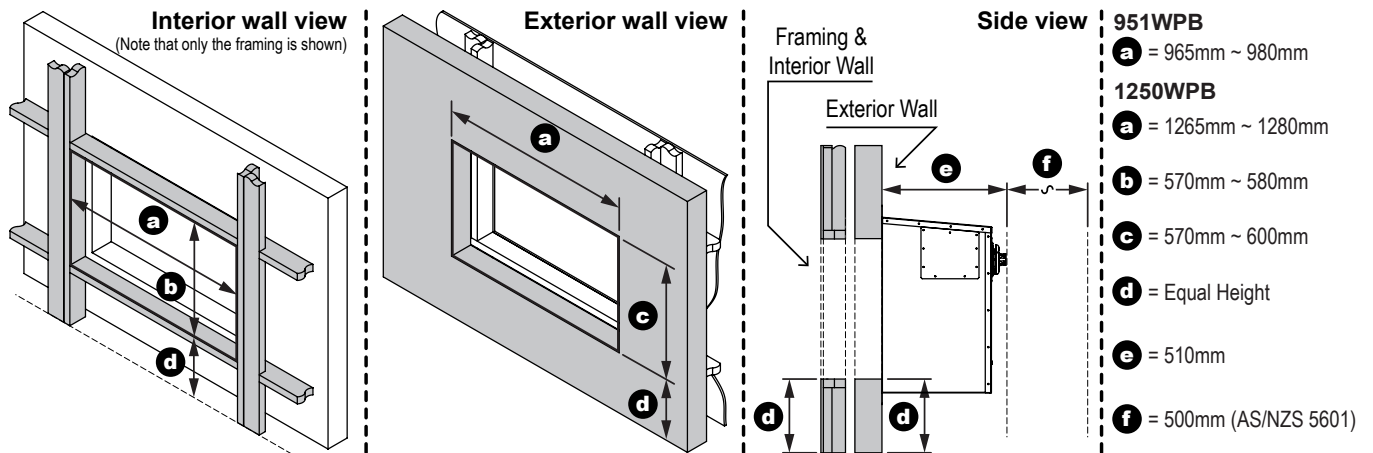
1. BOX ASSEMBLY



Ensure that the correct method of assembly for the box components is followed, as this provides the primary source of weather sealing for the box assembly.

- (i) Secure side panels **B** and **C** to the inside of the flanges of the back panel **A** (for both models PH screws x10).
- (ii) Secure base panel **D** to the inside of the flanges of panels **A**, **B** & **C** (for 951WPB PH screws x16 / for 1250WPB PH screws x18).
- (iii) Secure top panel **E** over the top and to the outside of panels **A**, **B** & **C** (for 951WPB PH screws x16 / for 1250WPB PH screws x18).

2. FRAMING & CAVITY REQUIREMENTS

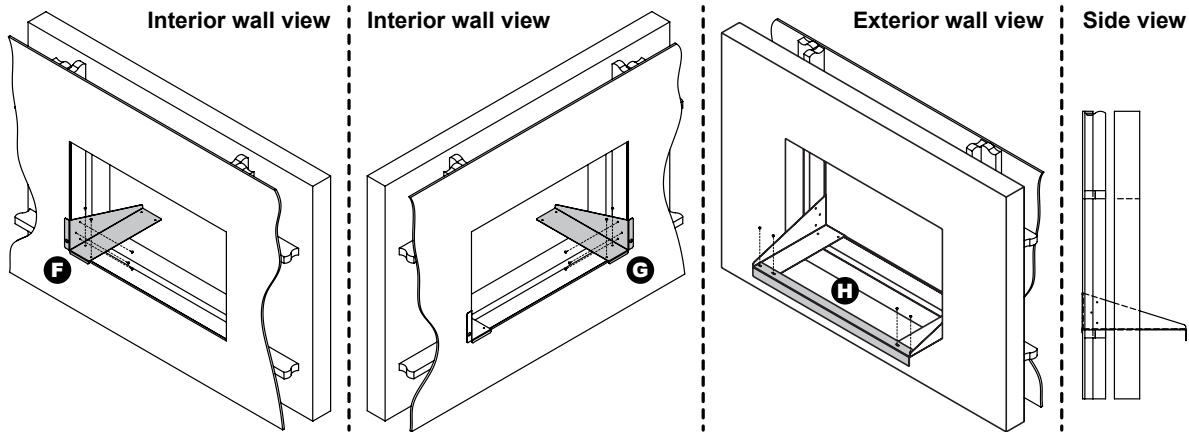


Prepare framing and cavity in accordance with all Local Regulations and Municipal Building Codes including local OH&S requirements. The joists used to support the appliance off the ground **MUST BE** capable of supporting a minimum of 105kg.

The box is **NOT** designed to support brick work or any other part of the dwelling or structure.

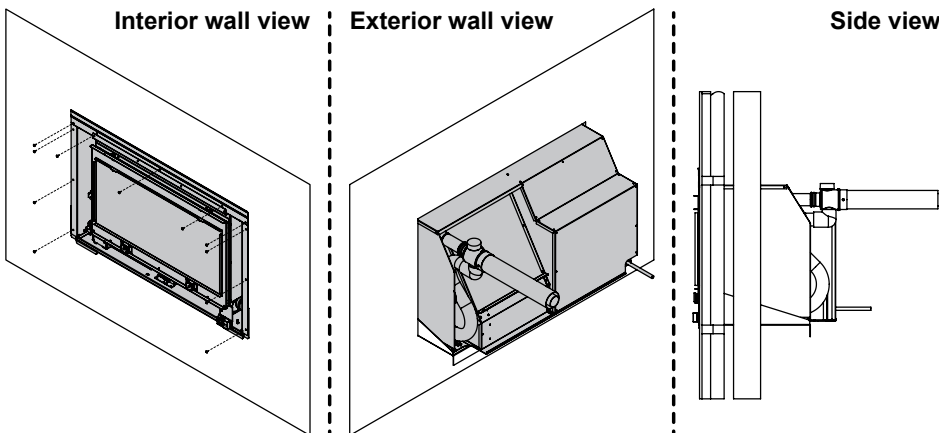
The flue terminal clearances are to be in accordance with Current AS/NZS 5601.

3. HEATER SUPPORT SHELF ASSEMBLY INSTALLATION



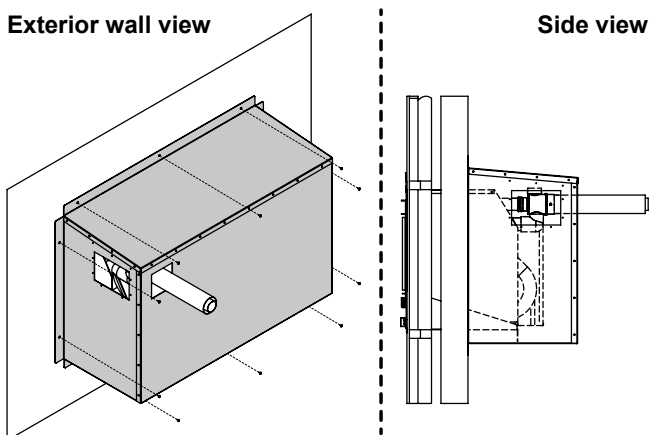
Fit side shelf bracket **F** to the bottom left corner of the framing so that the return folds are flush with the interior wall, secure in place (W screws x5). Repeat for side shelf bracket **G** in the opposite corner. Fit the L shaped cross brace **H** over the rear of side self brackets, with the tab facing downwards and secure to make rigid (PH screws x4).

4. HEATER INSTALLATION



Mount and secure the appliance and connect the flue system in accordance with the OPERATION & INSTALLATION MANUAL, Power Flued Flamefire Gas Space Heater RHFE-951ETR / RHFE-952ER / RHFE-1250ETR / RHFE-1252ER (supplied with the heater) and the INSTALLATION MANUAL, Power Flued Flamefire Space Heater Co-Axial Flue System (supplied with the flue).

5. BOX INSTALLATION

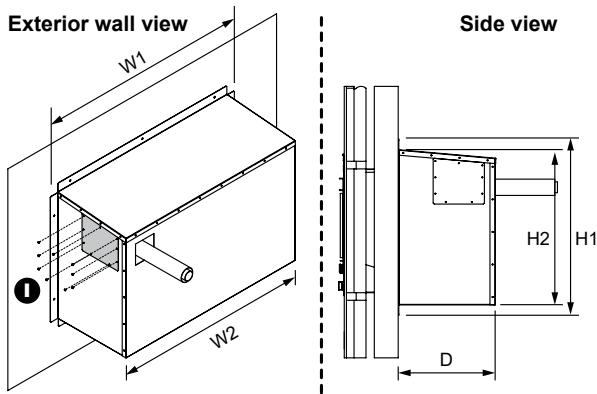


Secure the box assembly to the exterior wall (with appropriate fixings), ensuring that it is both level and symmetrically aligned with the cavity / penetration, the heater support shelf and the appliance.



It is the installers responsibility to ensure that the box is appropriately attached and weather sealed to the exterior wall in accordance with all Local Regulations and Municipal Building Codes including local OH&S requirements.

6. AIR HOSE ACCESS PLATE INSTALLATION

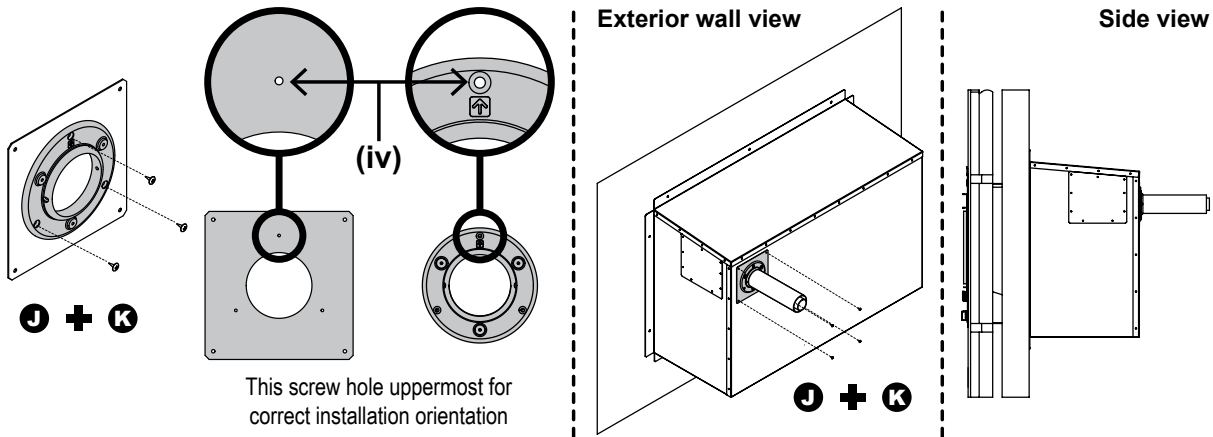


ASSEMBLED DIMENSIONS IN mm

All dims ± 2mm	H1 To Flanges	H2 To Sheet Metal	W1 To Flanges	W2 To Sheet Metal	D
951WPB	811	715	1198	1102	447
1250WPB	811	715	1498	1402	447

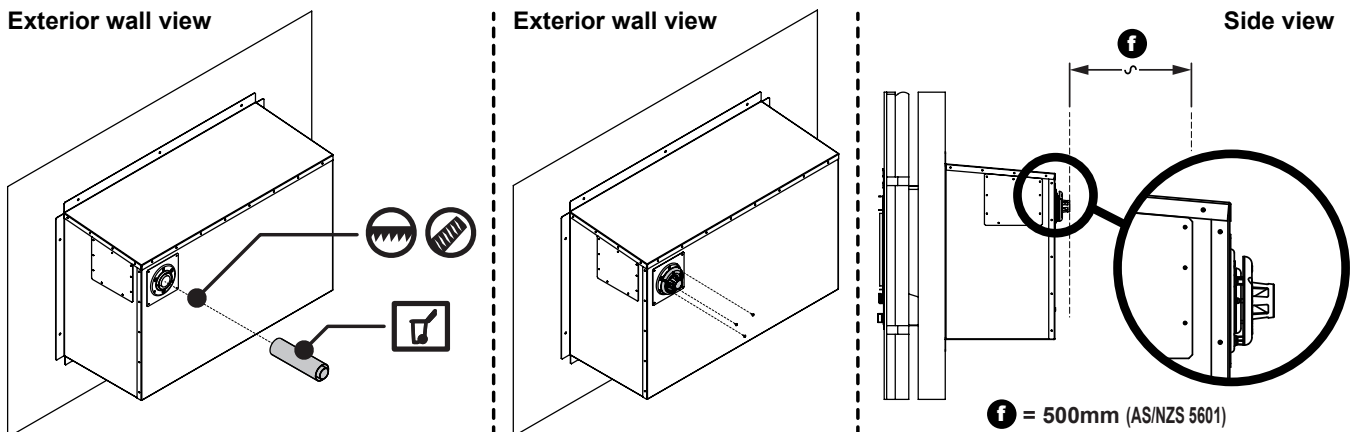
Secure the side (air hose) access panel I to the box (PH screws x9).

7. FLUE ACCESS PLATE INSTALLATION



With the screw hole (iv) uppermost, secure the flue terminal wall plate K (supplied with the flue terminal) to the rear (flue) access panel J (SD screws x3), then with the same orientation fit this assembly over the flue pipe and secure it to the box (SD screws x4).

8. FLUE PREPARATION & TERMINAL INSTALLATION



Prepare flue pipe and install flue terminal components in accordance with INSTALLATION MANUAL, Power Flued Flamefire Space Heater Co-Axial Flue System (supplied with the flue).

NOTE The screws for mounting the flue terminal components are supplied with the flue. The flue terminal clearances are to be in accordance with Current AS/NZS 5601.